



- 16A to 3150A ratings
- Versions: direct operating handle, door coupling, door mount and in enclosure
- Wide range of accessories
- Versions for photovoltaic applications up to 850A at 1000VDC (DC21B) and up to 315A at 1500VDC (DCPV1)
- Switch disconnectors and manual changeover switches in plastic and metal enclosure.

	SEC. - PAGE
GA series 16A to 160A	
Switch disconnectors	14 - 13
Add-on blocks and accessories	14 - 15
Assembled manual changeover switches	14 - 21
Switch disconnectors complete with shaft extension, door-coupling handle and terminal covers	14 - 21
Empty plastic enclosures	14 - 22
Switch disconnectors in plastic enclosure	14 - 23
Manual changeover switches in plastic enclosure	14 - 25
Switch disconnectors in metal enclosure	14 - 27
Manual changeover switches in metal enclosure	14 - 28
Switch disconnectors in stainless steel AISI 304 enclosure	14 - 28
Empty metal enclosure	14 - 29
GL series 100A to 1000A	
Switch disconnectors	14 - 32
Manual changeover switches	14 - 34
Motorised changeover switches	14 - 36
Add-on blocks and accessories	14 - 38
Switch disconnectors in metal enclosure	14 - 42
Manual changeover switches in metal enclosure	14 - 43
Empty metal enclosures	14 - 43
GE series 50A to 3150A	
Switch disconnectors	14 - 44
Switch disconnectors with fuse holder	14 - 44
Changeover switches	14 - 46
Add-on blocks and accessories	14 - 47
GM series 30A to 800A	
Switch disconnectors with fuse holder (UL98).....	14 - 52
Add-on blocks and accessories	14 - 53
For photovoltaic applications	14 - 54
Dimensions	14 - 58
Wiring diagrams	14 - 79
Technical characteristics	14 - 82



Page 14-13

GA SERIES

16A TO 160A (AC21A)

- UL60947-4-1 and UL98 certified three-pole switch disconnectors; add-on fourth pole available
- Switch disconnectors with direct operating handle and door coupling version
- Switch disconnectors door mount version
- Switch disconnectors in plastic, metal and AISI 304 stainless-steel enclosure
- Manual changeover switches in plastic and metal enclosure.



Page 14-32

GL SERIES

100A TO 1000A (AC23A)

- IEC/EN/BS and UL98 certified three-pole switch disconnectors; add-on fourth pole available
- Switch disconnectors with direct operating handle and door coupling version
- IEC/EN/BS and UL1008 certified manual changeover switches
- IEC/EN/BS and UL1008 certified motorised changeover switches
- Switch disconnectors in metal enclosure
- Manual changeover switches in metal enclosure.



Page 14-44

GE SERIES

50A TO 3150A (AC21A)

- IEC/EN/BS version three and four-pole switch disconnectors
- IEC/EN/BS version three and four-pole switch disconnectors with NFC and NH fuse holders
- Switch disconnectors with direct operating and door coupling version
- Three and four-pole changeover switches; add-on motorised control unit available.



Page 14-52

GM SERIES

30A TO 800A (AC21A)

- UL98 certified three-pole switch disconnectors with CC, J and L type fuse holders
- Switch disconnectors with fuse holders direct operating handle and door coupling version.



Page 14-54

FOR PHOTOVOLTAIC APPLICATIONS UP TO 850A AT 1000VDC (DC21B) AND UP TO 315A AT 1500VDC (DCPV1)

- Switch disconnectors
- Direct operating and door coupling versions
- Switch disconnectors in plastic enclosure.

GA series 16A to 160A



	DIRECT OPERATING HANDLE AND DOOR COUPLING VERSION											DOOR MOUNT VERSION										
	36mm/1.42" width					70mm/2.75" width						36mm/1.42" width					70mm/2.75" width					
AC21A (IEC/EN/BS)	16A	25A	32A	40A	63A	30A	63A	80A	100A	125A	160A	16A	25A	32A	40A	63A	30A	63A	80A	100A	125A	160A
GENERAL USE 600VAC (UL/CSA)	16A	25A	32A	40A	60A	30A	60A	100A	100A	100A	-	16A	25A	32A	40A	-	30A	60A	100A	100A	100A	-
SWITCH DISCONNECTORS																						
Certifications	UL60947-4-1											UL98										
Three-pole	●	●	●	●	●	●	●	●	●	●	●	●	●	●	●	●	●	●	●	●	●	●
4th pole - simultaneous closing		●			●	●	●	●	●	●	●		●			●		●			●	●
4th pole - early make		●			●			●					●						●			
Fuse holder 10x38mm	●																					
Fuse holder 10x38mm type CC	●																					
Mechanical 6-8 pole coupling system		●						●														
Mechanical interlock for line switching		●						●														
MANUAL CHANGEOVER SWITCHES																						
Three-pole IEC/EN/BS		●		●	●			●		●	●											
Four-pole IEC/EN/BS		●		●	●			●		●	●											

GA series 16A to 160A in enclosure



	PLASTIC ENCLOSED VERSION WITH RED/YELLOW OR BLACK HANDLE											METAL ENCLOSED VERSION WITH RED/YELLOW OR BLACK HANDLE									
	16A	25A	32A	40A	63A	63A	80A	100A	125A	160A	16A	25A	32A	40A	63A	63A	80A	100A	125A	160A	
AC21A (IEC/EN/BS)	16A	25A	32A	40A	63A	63A	80A	100A	125A	160A	16A	25A	32A	40A	63A	63A	80A	100A	125A	160A	
GENERAL USE 600VAC (UL/CSA)	16A	25A	32A	40A	60A	60A	100A	100A	100A	-	-	-	-	-	-	-	-	-	-	-	
SWITCH DISCONNECTORS																					
Three-pole IEC/EN/BS	●	●	●	●	●	●	●	●	●	●	●	●	●	●	●	●	●	●	●	●	●
Four-pole IEC/EN/BS	●		●	●	●	●		●	●	●	●		●	●	●	●		●	●	●	●
Three-pole UL 60947-4-1	●	●	●	●	●																
Three-pole UL98						●	●	●	●												
Four-pole UL 60947-4-1																					
Four-pole UL98						●		●	●												
MANUAL CHANGEOVER SWITCHES																					
Three-pole IEC/EN/BS											●		●	●		●		●	●		●
Four-pole IEC/EN/BS											●		●	●		●		●	●		●
Three-pole UL 60947-4-1		●		●	●																
Three-pole UL98						●		●	●												
Four-pole UL 60947-4-1		●		●	●																
Four-pole UL98						●		●	●												



	STAINLESS STEEL AISI 304 ENCLOSED VERSION WITH RED/YELLOW OR BLACK HANDLE						
AC21A (IEC/EN/BS)	16A	25A	32A	40A	63A	63A	100A
SWITCH DISCONNECTORS							
Three-pole IEC/EN/BS	●	●	●	●	●	●	●

14 Switch disconnectors

Overview

GL series 100A to 1000A



	DIRECT OPERATING HANDLE AND DOOR COUPLING VERSION												METAL ENCLOSED VERSION			
AC21A (IEC/EN/BS)	-	125A	160A	200A	250A	315A	320A	400A	500A	630A	800A	1000A	160A	200A	250A	315A
GENERAL USE 600VAC (UL/CSA)	100A	-	-	200A	-	-	-	400A	-	600A	800A	-	-	-	-	-
SWITCH DISCONNECTORS																
Three-pole IEC/EN/BS			●	●	●	●	●	●	●	●	●	●	●	●	●	●
Three-pole UL98	●			●				●		●	●					
4th pole - simultaneous closing	●						●						●	●	●	●
MANUAL CHANGEOVER SWITCHES																
Three and four-pole IEC/EN/BS			●	●	●	●	●	●	●	●	●	●	●	●	●	●
Three and four-pole UL1008	●			●				●								
MOTORISED CHANGEOVER SWITCHES																
Three and four-pole IEC/EN/BS		●	●	●	●	●										
Three and four-pole UL1008	●			●												

GE series 50A to 3150A



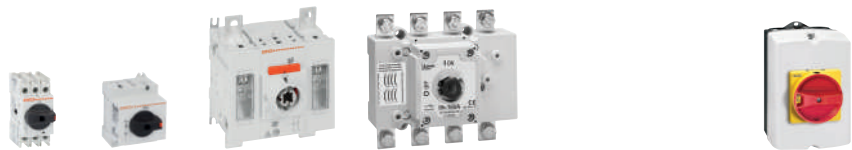
	DIRECT OPERATING AND DOOR COUPLING VERSION																	
AC21A (IEC/EN/BS)	50A	63A	100A	125A	160A	200A	250A	315A	400A	500A	630A	800A	1000A	1250A	1600A	2000A	2500A	3150A
SWITCH DISCONNECTORS																		
Three and four-pole					●	●	●	●	●	●	●	●	●	●	●			
Three and four-pole with NFC fuse holder	●		●	●														
Three and four-pole with NH fuse holder		●	●	●	●		●		●		●	●						
CHANGEOVER SWITCHES																		
Three and four-pole					●	●	●	●	●	●	●	●	●	●	●	●	●	●
Motorised control unit						●		●			●		●	●	●	●	●	●

GM series 30A to 800A



	DIRECT OPERATING AND DOOR COUPLING VERSION						
GENERAL USE 600VAC (UL/CSA)	30A	60A	100A	200A	400A	600A	800A
DISCONNECT SWITCHES WITH FUSE HOLDERS							
UL98 three-pole with CC type fuse holders	●						
UL98 three-pole with J type fuse holders			●	●	●	●	
UL98 three-pole with L type fuse holders							●

For photovoltaic applications



	DIRECT OPERATING AND DOOR COUPLING VERSION													PLASTIC ENCLOSED VERSION			
CONVENTIONAL THERMAL CURRENT I _{th} DC21B (800V)	15A	25A	32A	40A	100A	125A	160A	200A	250A	280A	315A	600A	630A	1000A	25A	32A	40A
Switch disconnectors GA series	●																
Switch disconnectors GD series		● ²	● ²	● ²											● ²	● ²	● ²
Switch disconnectors GLD series					● ¹		● ¹	● ¹	● ¹		● ²						
Switch disconnectors GE series						●			●	●		●	●	●			

① Up to 1500V (DCPV1). ② Up to 1000V (DCPV1).

Switch disconnectors and manual changeover switches GA series



Type		IEC conventional free air thermal current Ith AC21A (≤690V)	IEC rated operational current Ie			General purpose current (UL)	Max 3-phase horse-power rating (UL)	IEC reactive power for control of capacitors 400V	Fourth pole	
Direct operating or door coupling	Door mounting		AC23A (400V)	AC23A (500V)	AC23A (690V)				Direct operating or door coupling	Door mounting
Order code	Order code	[A]	[A]	[A]	[A]	[A]	[HP/V]	[kvar]	Order code	Order code
IEC/EN/BS and UL60947-4-1 three-pole switch disconnectors GA series.										
GA016A	GA016C	16	16	16	16	16	5/240 10/480 10/600	7.5	GAX42040A GAX41040A	GAX42040C GAX41040C
GA025A	GA025C	25	25	25	25	25	7.5/240 15/480 20/600	10		
GA032A	GA032C	32	32	25	25	32	10/240 20/480 20/600	12.5		
GA040A	GA040C	40	40	25	25	40	15/240 20/480 25/600	15		
GA063SA	GA063SC	63	45	25	25	60	15/240 30/480 32/600	15	GAX42063SA	GAX42063SC
IEC/EN/BS and UL98 three-pole switch disconnectors GA series.										
GA030A	GA030C	30	30	30	30	30	10/240 20/480 30/600	12.5	GAX42063A GAX41125A	GAX42063C GAX41125C
GA063A	GA063C	63	63	63	47	60	20/240 40/480 40/600	25		
GA080A	GA080C	80	80	63	47	100	25/240 40/480 40/600	30	GAX42080A GAX41125A	GAX42080C GAX41125C
GA100A	GA100C	100	100	80	47	100	30/240 50/480 50/600	40	GAX42100A GAX41125A	GAX42100C GAX41125C
GA125A	GA125C	125	125	100	47	100	30/240 60/480 60/600	50	GAX42125A GAX41125A	GAX42125C GAX41125C
IEC/EN/BS three-pole switch disconnectors GA series.										
GA160A	GA160C	160	125	100	47	–	–	50	GAX42160A	GAX42160C
IEC/EN/BS three-pole manual changeover switches GA series.										
GA025ET6	–	25	25	25	25	–	–	–	GAX42040A GAX41040A GAX42063SA GAX42080A GAX41125A GAX42125A GAX41125A GAX42160A	–
GA040ET6	–	40	40	25	25	–	–	–		–
GA063SAET6	–	63	45	25	25	–	–	–		–
GA080ET6	–	80	80	63	47	–	–	–		–
GA125ET6	–	125	125	100	47	–	–	–		–
GA160ET6	–	160	125	100	47	–	–	–		–
IEC/EN/BS four-pole manual changeover switches GA series.										
GA025ET8	–	25	25	25	25	–	–	–	Integrated fourth pole GAX42...	–
GA040ET8	–	40	40	25	25	–	–	–		–
GA063SAET8	–	63	45	25	25	–	–	–		–
GA080ET8	–	80	80	63	47	–	–	–		–
GA125ET8	–	125	125	100	47	–	–	–		–
GA160ET8	–	160	125	100	57	–	–	–		–

① Only for GA...A..., GA016C...GA040C, GA063SC.

② Only for GA...A...

③ Only for GA030A..., GA063A...GA160A...

④ Only for GA016A...GA040A..., GA063SA..., GA016C...GA040C, GA063SC.

14 Switch disconnectors

Summary table of combinations



Neutral terminal		Earth/ground terminal		Direct operating handle (only for GA...C)		Door coupling handle (only for GA...A)		Shaft extensions for door coupling handles	Auxiliary contacts	Terminal covers
Direct operating or door coupling	Door mounting	Direct operating or door coupling	Door mounting	Black	Red/yellow	Black	Red/yellow			
Order code	Order code	Order code	Order code	Order code	Order code	Order code	Order code	Order code	Order code	Order code

GAX31A	GAX31C	GAX33A	GAX33C	GAX61B GAX62B GAX63B GAX63KB GAX631B GAX632B GAX64B GAX68B	GAX61 GAX62 GAX63 GAX63K GAX632 GAX64 GAX68	GAX61B GAX62B GAX63B GAX63KB GAX631B GAX632B GAX64B GAX68B	GAX61 GAX62 GAX63 GAX63K GAX632 GAX64 GAX68	GAX7055 GAX7070 GAX7090 GAX7150 GAX7200 GAX7300 GAX7400 GAX7500	GAX1011A GAX1020A GAX1110EA	GAX83 GAX81
--------	--------	--------	--------	---	---	---	---	--	-----------------------------------	----------------

GAX32A	GAX32C	GAX34A	GAX34C	GAX61B GAX62B GAX63B① GAX63KB① GAX631B① GAX632B② GAX64B② GAX66NB③ GAX68B④	GAX61 GAX62 GAX63① GAX63K① GAX632② GAX64② GAX66N③ GAX68④	GAX61B GAX62B GAX63B① GAX63KB① GAX631B① GAX632B② GAX64B② GAX66NB③ GAX68B④	GAX61 GAX62 GAX63① GAX63K① GAX632② GAX64② GAX66N③ GAX68④	GAX7055 GAX7070 GAX7090 GAX7150 GAX7200 GAX7300 GAX7400 GAX7500 GAX7150AN GAX7200AN GAX7300AN GAX7400AN GAX7500AN	GAX1011A GAX1020A GAX1210EA	GAX84 GAX82
--------	--------	--------	--------	---	---	---	---	---	-----------------------------------	----------------

GAX32A	GAX32C	GAX34A	GAX34C	GAX61B GAX62B GAX63B GAX63KB GAX631B GAX632B GAX64B GAX66NB GAX68B	GAX61 GAX62 GAX63 GAX63K GAX632 GAX64 GAX66N GAX68	GAX61B GAX62B GAX63B GAX63KB GAX631B GAX632B GAX64B GAX66NB GAX68B	GAX61 GAX62 GAX63 GAX63K GAX632 GAX64 GAX66N GAX68	GAX7055 GAX7070 GAX7090 GAX7150... GAX7200... GAX7300... GAX7400... GAX7500...	GAX1011A GAX1020A GAX1210EA	GAX84 GAX82
--------	--------	--------	--------	--	---	--	---	---	-----------------------------------	----------------

GAX31A	-	GAX33A	-	Built-in with mechanical interlock	-	GAX67B	-	GAX7055 GAX7070 GAX7090 GAX7150 GAX7200 GAX7300 GAX7400 GAX7500	GAX1011A GAX1020A GAX1110EA	GAX83 GAX81
GAX32A	-	GAX34A	-						GAX1011A GAX1020A GAX1110EA	GAX84 GAX82

GAX31A	-	GAX33A	-	Built-in with mechanical interlock	-	GAX67B	-	GAX7055 GAX7070 GAX7090 GAX7150 GAX7200 GAX7300 GAX7400 GAX7500	GAX1011A GAX1020A GAX1110EA	GAX83 GAX81
GAX32A	-	GAX34A	-						GAX1011A GAX1020A GAX1110EA	GAX84 GAX82

Switch disconnectors and manual changeover switches IEC/EN/BS GL series



IEC/EN/BS

Type	IEC conventional free air thermal current I _{th}		IEC rated operational current I _e		IEC reactive power for control of capacitors 400V	Fourth pole	Neutral terminal	Earth/ground terminal	Direct operating handle	
	AC21A (≤690V)	AC23A (≤400V)	AC23A (≤500V)	Black					Red/Yellow	
Order code	[A]	[A]	[A]	[kvar]	Order code	Order code	Order code	Order code	Order code	

IEC/EN/BS three-pole switch disconnectors.

GL0160C1	160	160	160	80	GLX420315	GLX300	GLX301	GLX61DB	GLX61D
GL0200C1	200	200	200	100					
GL0250C1	250	250	250	115					
GL0315C1	315	315	250	145					
GL0320C1	320	320	320	145	GLX420320	GLX302	GLX303	GLX62DB	GLX62D
GL0400C1	400	400	400	180					
GL0500C1	500	500	500	200					
GL0630C1	630	630	500	250					
GL0631C1	630	630	630	250	GLX420631	GLX304	GLX305	GLX63DB	GLX63D
GL0800C1	800	800	800	310	GLX420800				
GL1000C1	1000	1000	800	460	GLX421000	GLX306	GLX307		



new

IEC/EN/BS three-pole manual changeover switches.

GLC0160C1	160	160	160	–	–	–	–	GLX61DB	–
GLC0200C1	200	200	200	–	–	–	–	GLX62DB	–
GLC0250C1	250	250	250	–	–	–	–		–
GLC0315C1	315	315	250	–	–	–	–	GLX63DB	–
GLC0320C1	320	320	320	–	–	–	–		–
GLC0400C1	400	400	400	–	–	–	–		–
GLC0500C1	500	500	500	–	–	–	–		–
GLC0630C1	630	630	500	–	–	–	–	–	–
GLC0631C1	630	630	630	–	–	–	–	–	–
GLC0800C1	800	800	800	–	–	–	–	–	–
GLC1000C1	1000	1000	800	–	–	–	–	–	–



new

IEC/EN/BS four-pole manual changeover switches.

GLC0160T4C1	160	160	160	–	–	–	–	GLX61DB	–
GLC0200T4C1	200	200	200	–	–	–	–	GLX62DB	–
GLC0250T4C1	250	250	250	–	–	–	–		–
GLC0315T4C1	315	315	250	–	–	–	–	GLX63DB	–
GLC0320T4C1	320	320	320	–	–	–	–		–
GLC0400T4C1	400	400	400	–	–	–	–		–
GLC0500T4C1	500	500	500	–	–	–	–		–
GLC0630T4C1	630	630	500	–	–	–	–	–	–
GLC0631T4C1	630	630	630	–	–	–	–	–	–
GLC0800T4C1	800	800	800	–	–	–	–	–	–
GLC1000T4C1	1000	1000	800	–	–	–	–	–	–



new

- ❶ 1-piece set. 1 terminal connection for single cable:
 - Maximum conductor cross section: 120mm²/250kcmil;
 - Minimum conductor cross section: 16mm²/6AWG.
- ❷ 3-piece set. 3 terminals connection for single cable:
 - Maximum conductor cross section: 304mm²/600kcmil;
 - Minimum conductor cross section: 33.6mm²/2AWG.
- ❸ 1-piece set. 1 terminal connection for double cables:
 - Maximum conductor cross section: 4x304mm²/4x600kcmil;
 - Minimum conductor cross section: 4x33.6mm²/4x2AWG.
- ❹ 3-piece set. 3 terminals connection for double cables:
 - Maximum conductor cross section: 2x152mm²/2x300kcmil;
 - Minimum conductor cross section: 2x21.2mm²/2x4AWG.
- ❺ 1-piece set. 1 terminal connection for single cable:
 - Maximum conductor cross section: 120mm²/250kcmil;
 - Minimum conductor cross section: 16mm²/6AWG.
- ❻ 3-piece set. 3 terminals connection for single cable:
 - Maximum conductor cross section: 304mm²/600kcmil;
 - Minimum conductor cross section: 33.6mm²/2AWG.
- ❼ 1-piece set. 1 terminal connection for double cables:
 - Maximum conductor cross section: 4x304mm²/4x600kcmil;
 - Minimum conductor cross section: 4x33.6mm²/4x2AWG.
- ❽ 3-piece set. 3 terminals connection for double cables:
 - Maximum conductor cross section: 2x152mm²/2x300kcmil;
 - Minimum conductor cross section: 2x21.2mm²/2x4AWG.

14 Switch disconnectors

Summary table of combinations



Door coupling handle		Shaft extensions for door coupling handles			Shaft alignment ring	Auxiliary contacts	Terminal covers	Phase barriers	Terminal clamps	Bridging bars	Captive nuts	
Black	Red/yellow	Order code	Panel depth		Shaft section	Order code	Order code	Order code	Order code	Order code	Order code	
Order code	Order code		min [mm/in]	min [mm/in]	□ [mm/in]							
GLX61B	GLX61	GLX7150S10 GLX7200S10 GLX7300S10 GLX7400S10 GLX7500S10	124/ 4.88"	194/7.64" 244/9.61" 344/13.54" 444/17.48" 544/21.42"	10/0.4"	GLX00	GLX1001 (1NC) GLX1010EA (1EB)	GLX800 (3 pcs) GLX801 (4 pcs)	GLX900 (6 pcs) GLX901 (8 pcs)	GLX500 GLX501	-	GLX550 (8 pcs)
GLX62B	GLX62	GLX7150S10 GLX7200S10 GLX7300S10 GLX7400S10 GLX7500S10	157/ 6.18"	227/8.94" 277/10.90" 377/14.84" 477/18.78" 577/22.72"				GLX802 (3 pcs) GLX803 (4 pcs)	GLX902 (6 pcs) GLX903 (8 pcs) Built-in	GLX502 GLX503 GLX 504 GLX505		GLX551 (8 pcs)
GLX63B	GLX63	GLX7150S12 GLX7200S12 GLX7300S12 GLX7400S12 GLX7500S12	212/ 8.34"	232/9.13" 282/11.10" 382/15.03" 482/18.97" 582/22.91"	12/0.47"			GLX804 (3 pcs) GLX805 (4 pcs)	GLX904 (6 pcs) GLX905 (8 pcs) Built-in	GLX506 GLX507	-	GLX552 (8 pcs) GLX553 (8 pcs)
GLX61CB	-	GLX7150S10 GLX7200S10 GLX7300S10 GLX7400S10 GLX7500S10	220/ 8.66"	290/11.42" 340/13.38" 440/17.32" 540/21.26" 640/25.20"	10/0.4"	GLX00	GLX1001 (1NC) GLX1010EA (1EB)	GLX800 (3 pcs) GLX801 (4 pcs)	GLX900 (6 pcs) GLX901 (8 pcs)	GLX500 GLX501	GLX201 (3 pcs) GLX202 (4 pcs)	GLX550 (8 pcs)
GLX62CB		GLX7150S10 GLX7200S10 GLX7300S10 GLX7400S10 GLX7500S10	267/ 10.51"	337/13.27" 387/15.24" 487/19.17" 587/23.11" 687/27.05"				GLX802 (3 pcs) GLX803 (4 pcs)	GLX902 (6 pcs) GLX903 (8 pcs) Built-in	GLX502 GLX503 GLX504 GLX505	GLX206 (3 pcs) GLX207 (4 pcs)	GLX551 (8 pcs)
GLX63CB	-	GLX7150S12 GLX7200S12 GLX7300S12 GLX7400S12 GLX7500S12	308/ 12.12"	378/14.88" 428/16.85" 528/20.78" 628/24.72" 728/28.66"	12/0.47"			GLX804 (3 pcs) GLX805 (4 pcs)	GLX904 (6 pcs) GLX905 (8 pcs) Built-in	GLX506 GLX507	GLX208 (3 pcs) GLX209 (4 pcs)	GLX552 (8 pcs) GLX553 (8 pcs)
GLX61CB	-	GLX7150S10 GLX7200S10 GLX7300S10 GLX7400S10 GLX7500S10	220/ 8.66"	290/11.42" 340/13.38" 440/17.32" 540/21.26" 640/25.20"	10/0.4"	GLX00	GLX1001 (1NC) GLX1010EA (1EB)	GLX800 (3 pcs) GLX801 (4 pcs)	GLX900 (6 pcs) GLX901 (8 pcs)	GLX500 GLX501	GLX201 (3 pcs) GLX202 (4 pcs)	GLX550 (8 pcs)
GLX62CB		GLX7150S10 GLX7200S10 GLX7300S10 GLX7400S10 GLX7500S10	267/ 10.51"	337/13.27" 387/15.24" 487/19.17" 587/23.11" 687/27.05"				GLX802 (3 pcs) GLX803 (4 pcs)	GLX902 (6 pcs) GLX903 (8 pcs) Built-in	GLX502 GLX503 GLX504 GLX505	GLX206 (3 pcs) GLX207 (4 pcs)	GLX551 (8 pcs)
GLX63CB	-	GLX7150S12 GLX7200S12 GLX7300S12 GLX7400S12 GLX7500S12	308/ 12.12"	378/14.88" 428/16.85" 528/20.78" 628/24.72" 728/28.66"	12/0.47"			GLX804 (3 pcs) GLX805 (4 pcs)	GLX904 (6 pcs) GLX905 (8 pcs) Built-in	GLX506 GLX507	GLX208 (3 pcs) GLX209 (4 pcs)	GLX552 (8 pcs) GLX553 (8 pcs)

Switch disconnectors and manual changeover switches cULus GL series



cULus



new



Type	General purpose current	Max 3-phase horsepower rating			Fourth pole	Neutral terminal	Earth/ground terminal	Direct operating handle		
		240V	480V	600V				Black	Red/Yellow	
Order code	[A]	[HP]	[HP]	[HP]	Order code	Order code	Order code	Order code	Order code	
UL98 three-pole switch disconnectors.										
GL0100C1UL	100	30	75	100	GLX420100UL	GLX300	GLX301	GLX61DB	GLX61D	
GL0200C1UL	200	75	150	200	GLX420200UL					
GL0400C1UL	400	125	250	350	GLX420400UL	GLX302	GLX303	GLX62DB	GLX62D	
GL0600C1UL	600	200	450	500	GLX420600UL	GLX304	GLX305	GLX63DB	GLX63D	
GL0800C1UL	800	250	500	500	GLX420800UL	GLX306	GLX307			
UL1008 three-pole manual changeover switches.										
GLC0100C1UL	100	30	75	100	–	–	–	GLX61DB	–	
GLC0200C1UL	200	75	150	200						
GLC0400C1UL	400	125	250	350				GLX62DB		
UL1008 four-pole manual changeover switches.										
GLC0100T4C1UL	100	30	75	100	–	–	–	GLX61DB	–	
GLC0200T4C1UL	200	75	150	200						
GLC0400T4C1UL	400	125	250	350				GLX62DB		

- ❶ 1-piece set. 1 terminal connection for single cable:
 - Maximum conductor cross section: 120mm²/250kcmil;
 - Minimum conductor cross section: 16mm²/6AWG.
- ❷ 3-piece set. 3 terminals connection for single cable:
 - Maximum conductor cross section: 304mm²/600kcmil;
 - Minimum conductor cross section: 33.6mm²/2AWG.
- ❸ 1-piece set. 1 terminal connection for double cables:
 - Maximum conductor cross section: 4x304mm²/4x600kcmil;
 - Minimum conductor cross section: 4x33.6mm²/4x2AWG.
- ❹ 3-piece set. 3 terminals connection for double cables:
 - Maximum conductor cross section: 2x152mm²/2x300kcmil;
 - Minimum conductor cross section: 2x21.2mm²/2x4AWG.
- ❺ 1-piece set. 1 terminal connection for single cable:
 - Maximum conductor cross section: 120mm²/250kcmil;
 - Minimum conductor cross section: 16mm²/6AWG.
- ❻ 3-piece set. 3 terminals connection for double cables:
 - Maximum conductor cross section: 4x304mm²/4x600kcmil;
 - Minimum conductor cross section: 4x33.6mm²/4x2AWG.
- ❼ 1-piece set. 1 terminal connection for single cable:
 - Maximum conductor cross section: 304mm²/600kcmil;
 - Minimum conductor cross section: 33.6mm²/2AWG.
- ❼ 3-piece set. 3 terminals connection for double cables:
 - Maximum conductor cross section: 2x152mm²/2x300kcmil;
 - Minimum conductor cross section: 2x21.2mm²/2x4AWG.

14 Switch disconnectors

Summary table of combinations



Door coupling handle		Shaft extensions for door coupling handles			Shaft alignment ring	Auxiliary contacts	Terminal covers	Phase barriers	Terminal clamps	Bridging bars	Captive nuts	
Black	Red/Yellow		Panel depth		Shaft section							
Order code	Order code	Order code	min [mm/in]	max [mm/in]	□ [mm/in]	Order code	Order code	Order code	Order code	Order code	Order code	
GLX61B	GLX61	GLX7150S10 GLX7200S10 GLX7300S10 GLX7400S10 GLX7500S10	124/ 4.88"	194/7.64" 244/9.61" 344/13.54" 444/17.48" 544/21.42"	10/0.4"	GLX00	GLX1001 (1NC) GLX1010EA (1EB)	GLX800 (3 pcs) GLX801 (4 pcs)	Built-in	GLX500 GLX501	-	GLX550 (8 pcs)
GLX62B	GLX62	GLX7150S10 GLX7200S10 GLX7300S10 GLX7400S10 GLX7500S10	157/ 6.18"	227/8.94" 277/10.90" 377/14.84" 477/18.78" 577/22.72"				GLX802 (3 pcs) GLX803 (4 pcs)	Built-in	GLX502 GLX503 GLX504 GLX505		GLX551 (8 pcs)
GLX63B	GLX63	GLX7150S12 GLX7200S12 GLX7300S12 GLX7400S12 GLX7500S12	212/ 8.34"	232/9.13" 282/11.10" 382/15.03" 482/18.97" 582/22.91"	12/0.47"			GLX804 (3 pcs) GLX805 (4 pcs)	GLX904 (6 pcs) GLX905 (8 pcs) Built-in	GLX506 GLX507	-	GLX552 (8 pcs) GLX553 (8 pcs)
GLX61CB	-	GLX7150S10 GLX7200S10 GLX7300S10 GLX7400S10 GLX7500S10	220/ 8.66"	290/11.42" 340/13.38" 440/17.32" 540/21.26" 640/25.20"	10/0.4"	GLX00	GLX1001 (1NC) GLX1010EA (1EB)	GLX800 (3 pcs) GLX801 (4 pcs)	Built-in	GLX500 GLX501	GLX201 (3 pcs) GLX202 (4 pcs)	GLX550 (8 pcs)
GLX62CB		GLX7150S10 GLX7200S10 GLX7300S10 GLX7400S10 GLX7500S10	267/ 10.51"	337/13.27" 387/15.24" 487/19.17" 587/23.11" 687/27.05"				GLX802 (3 pcs) GLX803 (4 pcs)	Built-in	GLX502 GLX503 GLX504 GLX505	GLX206 (3 pcs) GLX207 (4 pcs)	GLX551 (8 pcs)
GLX61CB	-	GLX7150S10 GLX7200S10 GLX7300S10 GLX7400S10 GLX7500S10	220/ 8.66"	290/11.42" 340/13.38" 440/17.32" 540/21.26" 640/25.20"	10/0.4"	GLX00	GLX1001 (1NC) GLX1010EA (1EB)	GLX800 (3 pcs) GLX801 (4 pcs)	Built-in	GLX500 GLX501	GLX201 (3 pcs) GLX202 (4 pcs)	GLX550 (8 pcs)
GLX62CB		GLX7150S10 GLX7200S10 GLX7300S10 GLX7400S10 GLX7500S10	267/ 10.51"	337/13.27" 387/15.24" 487/19.17" 587/23.11" 687/27.05"				GLX802 (3 pcs) GLX803 (4 pcs)	Built-in	GLX502 GLX503 GLX504 GLX505	GLX206 (3 pcs) GLX207 (4 pcs)	GLX551 (8 pcs)

Motorised changeover switches GL series



IEC/EN/BS



new

Type	Rated motor auxiliary supply voltage	IEC conventional free air thermal current Ith			Direct operating handle (standard supplied)
		AC21A (≤690V)	AC23A (≤400V)	AC23A (≤500V)	
Order code	[V]	[A]	[A]	[A]	Order code
IEC/EN/BS three-pole motorised changeover switches.					
GLCMB0125D024	24VDC	125	125	125	GLX61DB
GLCMB0160D024		160	160	160	
GLCMB0200D024		200	200	200	
GLCMB0250D024		250	250	250	
GLCMB0315D024		315	315	250	
GLCMB0125E110	110...125VAC/DC	125	125	125	GLX61DB
GLCMB0160E110		160	160	160	
GLCMB0200E110		200	200	200	
GLCMB0250E110		250	250	250	
GLCMB0315E110		315	315	250	
GLCMB0125A230	208...277VAC	125	125	125	GLX61DB
GLCMB0160A230		160	160	160	
GLCMB0200A230		200	200	200	
GLCMB0250A230		250	250	250	
GLCMB0315A230		315	315	250	



new

Type	Rated motor auxiliary supply voltage	IEC conventional free air thermal current Ith			Direct operating handle (standard supplied)
		AC21A (≤690V)	AC23A (≤400V)	AC23A (≤500V)	
Order code	[V]	[A]	[A]	[A]	Order code
IEC/EN/BS four-pole motorised changeover switches.					
GLCMB0125T4D024	24VDC	125	125	125	GLX61DB
GLCMB0160T4D024		160	160	160	
GLCMB0200T4D024		200	200	200	
GLCMB0250T4D024		250	250	250	
GLCMB0315T4D024		315	315	250	
GLCMB0125T4E110	110...125VAC/DC	125	125	125	GLX61DB
GLCMB0160T4E110		160	160	160	
GLCMB0200T4E110		200	200	200	
GLCMB0250T4E110		250	250	250	
GLCMB0315T4E110		315	315	250	
GLCMB0125T4A230	208...277VAC	125	125	125	GLX61DB
GLCMB0160T4A230		160	160	160	
GLCMB0200T4A230		200	200	200	
GLCMB0250T4A230		250	250	250	
GLCMB0315T4A230		315	315	250	

cULus



new

Type	Rated motor auxiliary supply voltage	General purpose current	Max 3-phase horsepower rating			Direct operating handle (standard supplied)
			≤600V	240V	480V	
Order code	[V]	[A]	[HP]	[HP]	[HP]	Order code
UL1008 three-pole motorised changeover switches.						
GLCMB0100D024UL	24VDC	100	30	75	100	GLX61DB
GLCMB0200D024UL		200	75	150	200	
GLCMB0100E110UL	110...125VAC/DC	100	30	75	100	GLX61DB
GLCMB0200E110UL		200	75	150	200	
GLCMB0100A230UL	208...277VAC	100	30	75	100	GLX61DB
GLCMB0200A230UL		200	75	150	200	
UL1008 four-pole motorised changeover switches.						
GLCMB0100T4D024UL	24VDC	100	30	75	100	GLX61DB
GLCMB0200T4D024UL		200	75	150	200	
GLCMB0100T4E110UL	110...125VAC/DC	100	30	75	100	GLX61DB
GLCMB0200T4E110UL		200	75	150	200	
GLCMB0100T4A230UL	208...277VAC	100	30	75	100	GLX61DB
GLCMB0200T4A230UL		200	75	150	200	

① 1-piece set. 1 terminal connection for single cable:
 - Maximum conductor cross section: 120mm²/250kcmil;
 - Minimum conductor cross section: 16mm²/6AWG.

② 3-piece set. 3 terminals connection for single cable:
 - Maximum conductor cross section: 120mm²/250kcmil;
 - Minimum conductor cross section: 16mm²/6AWG.

14 Switch disconnectors

Summary table of combinations



	Auxiliary contacts	Terminal covers	Phase barriers	Terminal clamps	Bridging bars	Captive nuts	Voltage sensing connector	Spare motor operator	Direct operating handle holder (standard supplied)
	Order code	Order code	Order code	Order code	Order code	Order code	Order code	Order code	Order code
	GLX1001 (1NC) GLX1010EA (1EB)	GLX800 (3 pcs) GLX801 (4 pcs)	GLX900 (6 pcs) GLX901 (8 pcs)	GLX500 GLX501	GLX201 (3 pcs) GLX202 (4 pcs)	GLX550 (8 pcs)	GLXVS00 (6 pcs) GLXXS01 (8 pcs)	GLXM1D024 GLXM1E110 GLXM1A230	GLXHS1
	GLX1001 (1NC) GLX1010EA (1EB)	GLX800 (3 pcs) GLX801 (4 pcs)	GLX900 (6 pcs) GLX901 (8 pcs)	GLX500 GLX501	GLX201 (3 pcs) GLX202 (4 pcs)	GLX550 (8 pcs)	GLXVS00 (6 pcs) GLXXS01 (8 pcs)	GLXM1D024 GLXM1E110 GLXM1A230	GLXHS1
	Auxiliary contacts	Terminal covers	Phase barriers	Terminal clamps	Bridging bars	Captive nuts	Voltage sensing connector	Spare motor operator	Direct operating handle holder (standard supplied)
	Order code	Order code	Order code	Order code	Order code	Order code	Order code	Order code	Order code
	GLX1001 (1NC) GLX1010EA (1EB)	GLX800 (3 pcs) GLX801 (4 pcs)	GLX900 (6 pcs) GLX901 (8 pcs)	GLX500 GLX501	GLX201 (3 pcs) GLX202 (4 pcs)	GLX550 (8 pcs)	GLXVS00 (6 pcs) GLXXS01 (8 pcs)	GLXM1D024 GLXM1E110 GLXM1A230	GLXHS1
	GLX1001 (1NC) GLX1010EA (1EB)	GLX800 (3 pcs) GLX801 (4 pcs)	GLX900 (6 pcs) GLX901 (8 pcs)	GLX500 GLX501	GLX201 (3 pcs) GLX202 (4 pcs)	GLX550 (8 pcs)	GLXVS00 (6 pcs) GLXXS01 (8 pcs)	GLXM1D024 GLXM1E110 GLXM1A230	GLXHS1

VERSATILITY!

COMPACT SIZE

The three-pole 16A to 63A switch disconnectors, are made up of a single unit body, merely 36mm/1.42" wide, while the 63A to 160A ratings, of another frame size of only 70mm/2.75" wide.

ACCESSORY FLEXIBILITY

Mounting and removal of the fourth pole and add-on blocks are simple and quick operations with no need for tools.

VERSIONS FOR PHOTOVOLTAIC APPLICATIONS

The GA... series switch disconnectors are suitable for small domestic installations as well as those with a large number of solar cells. Use up to 800V in DC21B category.



CERTIFICATIONS

The 16A to 63A types are listed for the USA and Canada, certified according to UL60947-4-1/CSA C22.2 n° 60947-4-1. The 30A to 125A types are listed for Canada and the USA, certified according to UL98A/CSA C22.2 n° 4.



SIDE MOUNT ADD-ON FOURTH POLE

Simultaneous closing or early-make contact operation of the fourth pole with respect to the switch disconnector poles.



ADD-ON AUXILIARY CONTACTS

Only one add-on block suitable for all the 9 ratings of switch disconnectors, having simultaneous closing with the switch disconnector poles. There are versions with an early-break NO contact with respect to the switch disconnector.

MAXIMUM COMBINATIONS

Mounting up to 4 auxiliary contacts or 1 fourth pole and 3 auxiliary contacts (2 blocks always on the right and 2 on the left side) of each switch disconnector. The earth and neutral terminals and fuse holder also can be added.



SWITCH STATUS INDICATION

The switch open or closed state is clearly and unequivocally seen at a distance thanks to the simple and modern design of the handles.

TERMINAL ADAPTABILITY

Terminals are suitable to accept any type of cable: flexible, rigid, AWG wire. The terminals can withstand high tightening torques.

6 AND 8 POLE VERSION

Mechanical coupling systems are available for switch disconnectors with direct operating handle to provide 6/8 pole disconnectors or a mechanical interlock mechanism for the line changeover function (I - O - II). The enclosed switches are cULus certified.



FUSE HOLDERS

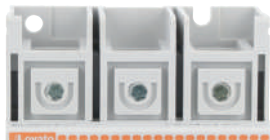


A three-pole fuse holder can be added to 16A to 32A switch disconnectors, with direct operating handle, to provide a single compact unit. Access to the fuse can be made only when the disconnector is in OFF position.

HIGH BREAKING CAPACITY

The rated currents I_n in AC23 at 690VAC are the highest of the category.

TORX SCREW TERMINALS



Version with Torx screw terminals available on request.

MODULARITY

The switch disconnectors can be mounted in modular panels.

IP65 PADLOCKABLE HANDLES

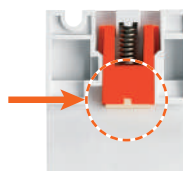
Wide range of selector or pistol grip handles, with screw or ring fixing. All handles are equipped with built-in padlockable mechanism. The selector handle GAX63... snaps onto the door mount switch disconnectors in 16A to 40A ratings, with no need for tools.



DIN RAIL FIXING

Switch disconnector mounting on and removal from the 35mm DIN rail are done by simply pressing it downwards with no need for tools.

ANTI-SLIDE INSERT FOR DIN RAIL



A rubber pad insert prevents the sliding of switch disconnectors on the DIN rail even when out of tolerance or mounted vertically.

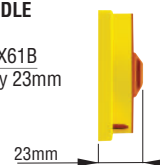
DOOR COUPLING HANDLE WITH FRONT DIMENSIONS 48X48MM

The GAX68 and GAX68B handles can be used in panels and boxes of limited dimensions.



REDUCED HANDLE THICKNESS

GAX61 and GAX61B handles are only 23mm thick.



HANDLE IP69K (GAX63K and GAX63KB)



HANDLE ADAPTABILITY

The extensive number of fixing holes in the front handle plate can replace switch disconnectors, normally found out in the field, without having to drill others.



UL508A HANDLE VERSION

In compliance with UL508A standards, which require internal panel inspection by authorised personnel with power applied, selector and pistol handles are available with defeatable feature of the door coupling when the switch disconnector is closed, i.e. in ON position.



Three-pole switch disconnectors with direct operating handle and door coupling version



GA016A...
GA040A
GA063SA

GA030A
GA063A...
GA160A

Order code	IEC conventional free air thermal current Ith AC21A (≤690V)	IEC rated operational current Ie AC22A (≤690V) AC23A (≤400V)	Qty per pkg	Wt
	[A]	[A]	n°	[kg]

Direct operating version, complete with black handle.
For door coupling version, separately purchase the handle and shaft extension (see pages 14-18 to 14-20).
According to UL60947-4-1.

GA016A	16	16	1	0.146
GA025A	25	25	1	0.146
GA032A	32	32	1	0.146
GA040A	40	40	1	0.146
GA063SA	63	45	1	0.148

According to UL98.

GA030A	30	30	1	0.388
GA063A	63	63	1	0.388
GA080A	80	80	1	0.388
GA100A	100	100	1	0.388
GA125A	125	125	1	0.388

According to IEC/EN/BS.

GA160A	160	125	1	0.388
--------	-----	-----	---	-------

Direct operating version, complete with red/yellow handle.
For door coupling version, separately purchase the handle and shaft extension (see pages 14-18 to 14-20).
According to UL60947-4-1.



GA0...ARY

GA063...ARY

GA016ARY	16	16	1	0.146
GA025ARY	25	25	1	0.146
GA032ARY	32	32	1	0.146
GA040ARY	40	40	1	0.146
GA063SARY	63	45	1	0.148

According to UL98.

GA030ARY	30	30	1	0.388
GA063ARY	63	63	1	0.388
GA080ARY	80	80	1	0.388
GA100ARY	100	100	1	0.388
GA125ARY	125	125	1	0.388

According to IEC/EN/BS.

GA160ARY	160	125	1	0.388
----------	-----	-----	---	-------

Fourth pole add-on



GAX42...A
GAX41...A
GAX42063SA
GAX41063SA

Order code	IEC conventional free air thermal current Ith AC21A (≤690V)	IEC rated operational current Ie AC22A (≤690V) AC23A (≤400V)	Qty per pkg	Wt
	[A]	[A]	n°	[kg]

Simultaneous closing operation as switch disconnector poles. For GA...A... version.

GAX42040A①	40	40	1	0.045
GAX42063SA②	63	45	1	0.045
GAX42063A③	63	63	1	0.126
GAX42080A	80	80	1	0.126
GAX42100A	100	100	1	0.126
GAX42125A	125	125	1	0.126
GAX42160A	160	125	1	0.126

Early make closing operation with respect to switch disconnector poles. For GA...A... version.

GAX41040A④	40	40	1	0.046
GAX41063SA⑤	63	45	1	0.046
GAX41125A⑤	125	125	1	0.116

- ① Only for GA016A...GA040A...
- ② Only for GA063SA...
- ③ Only for GA030A... and GA063A...
- ④ Only for GA030A... and GA063A...GA125A....

General characteristics

- 16A to 160A
- Available versions:
 - Direct operating
 - Door coupling. Use switch disconnector with direct operating handle and separately purchase the handle and shaft extension for this version. See pages 14-18 to 14-20
- Version with Torx screw terminals available on request
- Compact and modular size
- Screw or 35mm DIN rail fixing
- Padlockable in 0 position with no extra accessory.

Operational characteristics

- Rated insulation voltage Ui: 1000V
- Rated impulse withstand Uimp: 8kV
- Electrical life in AC21A:
 - 100,000 cycles GA016...GA040..., GAX...40A
 - 15,000 cycles GA063SA..., GAX...063SA
 - 30,000 cycles GA030... and GA063...GA125..., GAX...063...125A
 - 1,500 cycles GA160A..., GAX42160A
- Mechanical life:
 - 100,000 cycles GA016...GA040A..., GA063SA..., GAX...40A, GAX...063SA
 - 30,000 cycles GA030... and GA063...GA160A..., GAX...063...125A, GAX42160A.

Certifications and compliance

Certifications obtained:

Type	cULus according to UL60947-4-1 / CSA C22.2 n°60947-4-1	cULus according to UL98 / CSA C22.2 n°4	EAC
GA016A...GA040A...	●	—	●
GA063SA...	●	—	●
GA030A... and GA063A...GA125A...	—	●	●
GA160A...-GAX42160A	—	—	●
GAX41040A-GAX42040A	●	—	●
GAX41063SA-GAX42063SA	●	—	●
GAX41125A	—	●	●
GAX42063A...GAX42125A	—	●	●

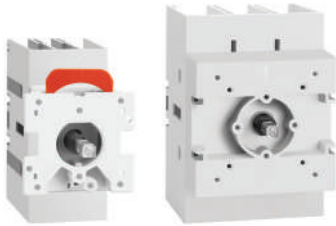
● Certification obtained.

Compliant with standards: IEC/EN/BS 60947-3, IEC/EN/BS 60947-1, UL60947-4-1, UL98, CSA C22.2.

Strokes of GA...A... poles (main poles and add-on pole)

	Travel 0→1 0°	30°	60°	90°
GA016A...GA040A... - GA063SA... Main poles			60°	
GAX42040A - GAX42063SA Simultaneous closing fourth-pole add on			60°	
GAX41040A - GAX41063SA Early-make fourth-pole add on			55°	
GA063A...GA125A... GA160A... Main poles			55°	
GAX42063A...GAX42125A GAX42160A Simultaneous closing fourth-pole add on			55°	
GAX41125A Early-make fourth-pole add on			48°	
	OFF			ON

Three-pole switch disconnectors door mount version



GA016C...
GA040C
GA063SC

GA063C...
GA160C

Order code	IEC conventional free air thermal current Ith AC21A (≤690V)	IEC rated operational current Ie AC22A (≤690V) AC23A (≤400V)	Qty per pkg	Wt [kg]
	[A]	[A]	n°	[kg]

Door mount version, complete with shaft extension (purchase handle separately, see page 14-18 and 14-19). According to UL60947-4-1.

GA016C	16	16	1	0.170
GA025C	25	25	1	0.170
GA032C	32	32	1	0.170
GA040C	40	40	1	0.170

According to IEC.

GA063SC	63	40	1	0.170
----------------	----	----	---	-------

According to UL98.

GA030C	30	30	1	0.404
GA063C	63	63	1	0.404
GA080C	80	80	1	0.404
GA100C	100	100	1	0.404
GA125C	125	125	1	0.404

According to IEC.

GA160C	160	125	1	0.404
---------------	-----	-----	---	-------

Fourth pole add-on



GAX42040C
GAX41040C

Order code	IEC conventional free air thermal current Ith AC21A (≤690V)	IEC rated operational current Ie AC22A (≤690V) AC23A (≤400V)	Qty per pkg	Wt [kg]
	[A]	[A]	n°	[kg]

Simultaneous closing operation as switch disconnector poles. For GA...C version.

GAX42040C ①	40	40	1	0.045
GAX42063SC	63	40	1	0.045
GAX42063C ②	63	63	1	0.128
GAX42080C	80	80	1	0.128
GAX42100C	100	100	1	0.128
GAX42125C	125	125	1	0.128
GAX42160C	160	125	1	0.128

Early make closing operation with respect to switch disconnector poles. For GA...C version.

GAX41040C ①	40	40	1	0.046
GAX41125C ③	125	125	1	0.128

① For GA016C...GA040C only.

② For GA030C and GA063C only.

③ For GA030C and GA063C...GA125C only.

General characteristics

- 16A to 160A
- Available versions:
 - Door mount
- Compact and modular size.

Operational characteristics

- Rated insulation voltage Ui: 1000V
- Rated impulse withstand Uimp: 8kV
- Electrical life in AC21A:
 - 100,000 cycles GA016...GA040C, GAX...40C
 - 15,000 cycles GA063SC, GAX42063SC
 - 30,000 cycles GA030C and GA063...GA125C, GAX...063...125C
 - 1,500 cycles GA160C, GAX42160C
- Mechanical life:
 - 100,000 cycles GA016...GA040C..., GA063SC..., GAX...40C, GAX...063SC
 - 30,000 cycles GA030... and GA063...GA160C..., GAX...063...125C, GAX42160C.

Certifications and compliance

Certifications obtained:

Type	cULus according to UL60947-4-1 / CSA C22.2 n°60947-4-1	cULus according to UL98 / CSA C22.2 n°4	EAC
GA016C...GA040C	●	—	●
GA160C	—	—	●
GAX41040C-GAX42040C	●	—	●
GAX42063SC	—	—	●
GAX42063C...GAX42125C	—	●	●
GAX42160C	—	—	●

● Certification obtained.

Compliant with standards: IEC/EN 60947-3, IEC/EN 60947-1, UL60947-4-1, UL98, CSA C22.2.

Strokes of GA...C poles (main poles and add-on pole)

	Travel 0→1	0°	30°	60°	90°
GA016C...GA040C - GA063SC Main poles				60°	
GAX42040C - GAX42063SC Simultaneous closing fourth-pole add on				60°	
GAX41040C Early-make fourth-pole add on				55°	
GA063C...GA160C Main poles				55°	
GAX42063C...GAX42160C Simultaneous closing fourth-pole add on				55°	
GAX41125C Early-make fourth-pole add on				48°	

OFF ON

Add-on blocks



GAX1011A
GAX1020A



GAX1011C



GAX1110EA
GAX1210EA



GAX3...A



GAX3...C



GAX50...



GAX60...

Order code	Characteristics	Qty	Wt
		n°	[kg]

Auxiliary contacts, simultaneous closing as poles of switch disconnector.

GAX1011A	1NO + 1NC for GA...A..., and GA040D	1	0.030
GAX1020A	2NO for GA...A... and GA040D	1	0.030
GAX1011C	1NO + 1NC for GA...C	1	0.030

Auxiliary contacts, early-break operation with respect to poles of switch disconnector.

GAX1110EA	1EB(NO) for GA016A... GA040A..., GA063SA... and GA040D	1	0.035
GAX1210EA	1EB(NO) for GA030A... and GA063A...GA160A...	1	0.035

Neutral terminal.

GAX31A	For GA016A...GA040A..., GA063SA... and GA040D	1	0.040
GAX32A	For GA030A... and GA063A...GA160A...	1	0.110
GAX31C	For GA016C...GA040C and GA063SC	1	0.040
GAX32C	For GA030C and GA063C...GA160C	1	0.110

Earth/Ground terminal.

GAX33A	For GA016A...GA040A, GA063SA and GA...D	1	0.040
GAX34A	For GA030A and GA063A...GA160A	1	0.110
GAX33C	For GA016C...GA040C and GA063SC	1	0.040
GAX34C	For GA030C and GA063C...GA160C	1	0.110

Mechanical interlock for line changeover (I-O-II).

GAX5000	For GA016A...GA040A..., GA063SA..., GA040D and GAX67B; 5mm/0.2" ❶	1	0.050
GAX5001	For GA030A..., GA063A...GA160A... and GAX67B; 5mm/0.2" ❶	1	0.075

Mechanical coupling system for 6-8 pole switch disconnectors.

GAX6000	For GA016A...GA040A..., GA063SA... and GA040D; 5mm/0.2" ❶	1	0.050
GAX6001	For GA030A... and GA063A...GA125A..., 7mm/0.3" ❷❸	1	0.075

- ❶ Use GAX7... shaft extensions.
- ❷ Use GAX66N... handles and GAX7...AN extensions for a door coupling version.
- ❸ Cannot be used with GA160A...

Strokes of GA poles (main poles with auxiliary contacts)

		Travel 0→1	0°	30°	60°	90°
GA016...GA040... - GA063S...	Main poles				60°	
GAX1011A - GAX1011C	Auxiliary contacts (1NO+1NC)				60°	
GAX1020A	Auxiliary contacts (2NO)			40°		
GAX1110EA	Auxiliary contact (1EB - NO early-break with respect to main poles)	Travel 0→1		60°		
		Travel 1→0		70°		
GA030... and GA063...GA125..., GA160A	Main poles			55°		
GAX1011A - GAX1011C	Auxiliary contacts (1NO+1NC)			45°		
GAX1020A	Auxiliary contacts (2NO)			25°		
GAX1210EA	Auxiliary contact (1EB NO early-break with respect to main poles)	Travel 0→1		55°		
		Travel 1→0		65°		
			OFF			ON

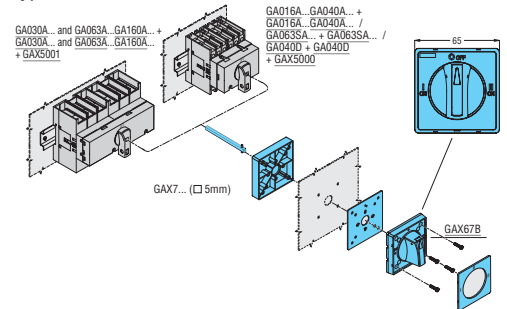
Operational characteristics of auxiliary contacts

- Conventional free air thermal current I_{th}: 10A
- UL/CSA and IEC/EN/BS 60947-5-1 designation: A600-Q600
- Tightening torque: 0.8Nm/7.1lb.in
- Electrical life in AC15: 100,000 cycles
- Mechanical life: 100,000 cycles.

Operational characteristics for other devices

- Tightening torque:
 - GAX31A/C-GAX33A/C terminals: 1.8...2Nm/16...18lb.in
 - GAX32A/C-GAX34A/C terminals: 5...6Nm/45...54lb.in
 - GAX5000/1-GAX6000/1 fixing: 0.5Nm/4.4lb.in; extension with handle: 0.8Nm/7.1lb.in.

Transformation of direct operating version into door coupling type:



Certifications and compliance

Certifications obtained:

Type	cULus according to UL 60947-4-1 / CSA C22.2 n°14	cULus according to UL98 / CSA C22.2 n°4	EAC
GAX1011A - GAX1011C	●	●	●
GAX1110EA	●	—	●
GAX1210EA	—	●	●
GAX31A - GAX31C	●	—	●
GAX32A - GAX32C	—	●	●
GAX33A - GAX33C	●	—	●
GAX34A - GAX34C	—	●	●
GAX5000 - GAX6000	●	—	●
GAX5001 - GAX6001	—	●	●

● Certification obtained.

Compliant with standards: IEC/EN/BS 60947-1, IEC/EN/BS 60947-3, IEC/EN/BS 60947-5-1, UL 60947-4-1, UL98, CSA C22.2.

Maximum combinations

GA016A...GA040A...GA040D Sequence and maximum combination of add-on blocks on direct operating switch disconnectors.

1	1	1	—	1	GA016A... GA025A... GA032A... GA040A... GA040D	—	—	2	1	1
1	1	2	—	—		1	—	1	1	1
1	1	1	—	1		1	—	1	1	1
1	1	1	1	—		—	1	—	1	1
1	1	1	1	—		—	—	2	1	1
1	1	2	—	—		—	—	1	1	1
1	1	2	—	—		—	—	2	1	1
1	1	—	—	—		—	1	—	—	1
1	1	—	—	1		—	—	—	1	1
1	1	—	—	—		—	—	—	1	1

1 GAX42040D can be used with GA040D switch only.

GA063SA...

1	1	1	—	1	GA063SA...	—	—	2	1	1
1	1	2	—	—		1	—	1	1	1
1	1	1	—	1		1	—	1	1	1
1	1	1	1	—		—	1	—	1	1
1	1	1	1	—		—	—	2	1	1
1	1	2	—	—		—	—	1	1	1
1	1	2	—	—		—	—	2	1	1
1	1	—	—	—		—	1	—	—	1
1	1	—	—	1		—	—	—	1	1
1	1	—	—	—		—	—	—	1	1

GA030A... and GA063A...GA160A...

—	—	1	—	1	GA030A... GA063A... GA080A... GA100A... GA125A... GA160A...1	—	—	2	—	—
—	—	2	—	—		1	—	1	—	—
—	—	1	—	1		—	—	1	—	—
—	—	1	1	—		—	1	—	—	—
—	—	1	1	—		—	—	2	—	—
—	—	2	—	—		—	—	1	—	—
—	—	2	—	—		—	—	2	—	—
1	1	—	—	—		—	1	—	—	1
1	1	—	—	1		—	—	—	1	1
1	1	—	—	—		—	—	—	1	1

1 GA160A... can be fitted with 1 single 4th pole (GAX42160A) on one side and an auxiliary contact on the other.

GA016C...GA040C Sequence and maximum combination of add-on blocks on door mount switch disconnectors.

1	1	1	—	1	GA016C GA025C GA032C GA040C GA063C	—	—	1	1	1
1	1	1	—	—		1	1	1	1	1
1	1	—	—	1		—	—	1	1	1
1	1	1	—	—		—	1	—	1	1
1	1	1	1	—		—	—	1	1	1
1	1	—	—	—		—	—	—	1	1

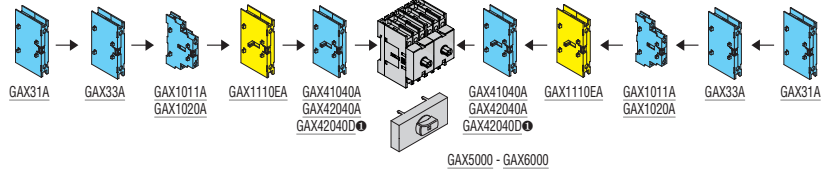
GA030C and GA063C...GA125C

—	—	1	—	1	GA030C GA063C GA080C GA100C GA125C GA160C	—	—	1	—	—
—	—	1	—	—		1	1	—	—	—
1	1	—	—	1		—	—	1	—	—
—	—	1	—	—		—	—	1	—	—
—	—	1	—	—		—	—	1	—	—
1	1	—	—	—		—	—	—	1	1

Maximum combinations

**GA016A...GA040A...
GA040D
+ GAX5000 -
GAX6000**

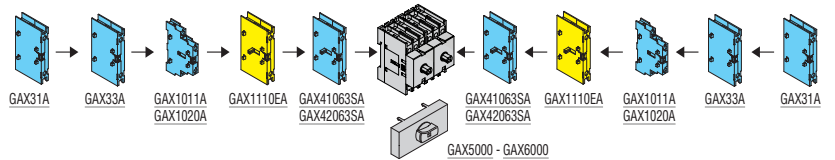
Sequence and maximum combination for mechanical coupling and mechanical interlock for line changeover.



1	1	1	—	1	GA016A...+ GA016A... GA025A...+ GA025A... GA032A...+ GA032A... GA040A...+ GA040A... GA040D + GA040D ❶	1	—	1	1	1
1	1	1	—	1		—	—	2	1	1
1	1	2	—	—		1	—	1	1	1
1	1	1	—	1		—	1	1	1	1
1	1	1	1	—		1	—	1	1	1
1	1	1	1	—		—	—	2	1	1
1	1	2	—	—		—	1	1	1	1
1	1	2	—	—		—	—	2	1	1
1	1	—	—	1		1	—	—	1	1
1	1	—	—	—		—	—	—	1	1

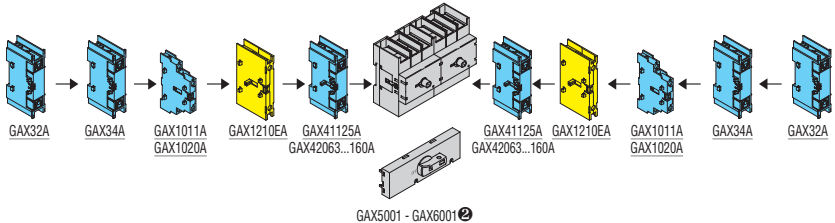
❶ GAX42040D can be used with GA040D switch only.

**GA063SA...
+ GAX5000 -
GAX6000**



1	1	1	—	1	GA063SA...+ GA063SA...	1	—	1	1	1
1	1	1	—	1		—	—	2	1	1
1	1	2	—	—		1	—	1	1	1
1	1	1	—	1		—	1	1	1	1
1	1	1	1	—		1	—	1	1	1
1	1	1	1	—		—	—	2	1	1
1	1	2	—	—		—	1	1	1	1
1	1	2	—	—		—	—	2	1	1
1	1	—	—	1		1	—	—	1	1
1	1	—	—	—		—	—	—	1	1

**GA030A... and
GA063A...GA160A...
+ GAX5001 -
GAX6001**



—	—	1	—	1	GA030A... + GA030A... GA063A... + GA063A... GA080A... + GA080A... GA100A... + GA100A... GA125A... + GA125A... GA160A... + GA160A... ❶	1	—	1	—	—
—	—	1	—	1		—	—	2	—	—
—	—	2	—	—		1	—	1	—	—
—	—	1	—	1		—	1	1	—	—
—	—	1	1	—		1	—	1	—	—
—	—	1	1	—		—	—	2	—	—
—	—	2	—	—		—	1	1	—	—
—	—	2	—	—		—	—	2	—	—
1	1	—	—	1		1	—	—	1	1
1	1	—	—	—		—	—	—	1	1

❶ GA160A... can be fitted with a single auxiliary contact (GAX1011A or GAX1020A) per side.

❷ Cannot be used with GA160A...

14 Switch disconnectors

GA series 16A to 160A.

Add-on blocks and accessories

INDEX

Handles



GAX61



GAX63



GAX66N



GAX68

- ❶ For GA...A..., GA040D and GD... switch disconnectors, separately purchase extension GAX7...
- ❷ Snap-on fixing of GA016C...GA040C and GA063SC switch disconnectors with the handle.
- ❸ Separately purchase GAX7...AN shaft extension and GAX60B adaptor.

Order code	Characteristics	Qty	Wt
		per pkg	[kg]
		n°	[kg]
DOOR COUPLING VERSION PADLOCKABLE, IP65 (TYPE 4X). Red/yellow.			
GAX61	For GA...A..., GA...C, GA040D and GD... Screw fixing. Handle with selector flush-mounted ❶. □ 5mm/0.2"	1	0.073
GAX62	For GA...A..., GA...C, GA040D and GD... Screw fixing. Handle with selector protruding ❶. □ 5mm/0.2"	1	0.072
GAX63	For GA...A..., GA016C...GA040C, GA063SC, GA040D and GD... Ring fixing. Handle with selector protruding ❷❸. □ 5mm/0.2"	1	0.068
GAX63K	For GA...A..., GA016C...GA040C, GA063SC, GA040D and GD... Ring fixing. Handle with selector protruding ❷❸. □ 5mm/0.2" IP69K	1	0.068
GAX632	For GA...A..., GA040D and GD... Ring fixing low profile. Handle with selector protruding. □ 5mm/0.2" ❶	1	0.057
GAX64	For GA...A..., GA040D and GD... Ring fixing. Handle with selector protruding - defeatable (requirement UL508A) ❶. □ 5mm/0.2"	1	0.064
GAX66N	For GA030A..., GA063A...GA160A... and GAX6001. Screw fixing. Pistol handle - defeatable (req. UL 508A) ❸. □ 7mm/0.3"	1	0.140
GAX68	For GA016A...GA040A..., GA063SA, GA040D, GA016C...GA040C, GA063SC and GD... Screw fixing. Handle with selector lowered ❶. □ 5mm/0.2"	1	0.060

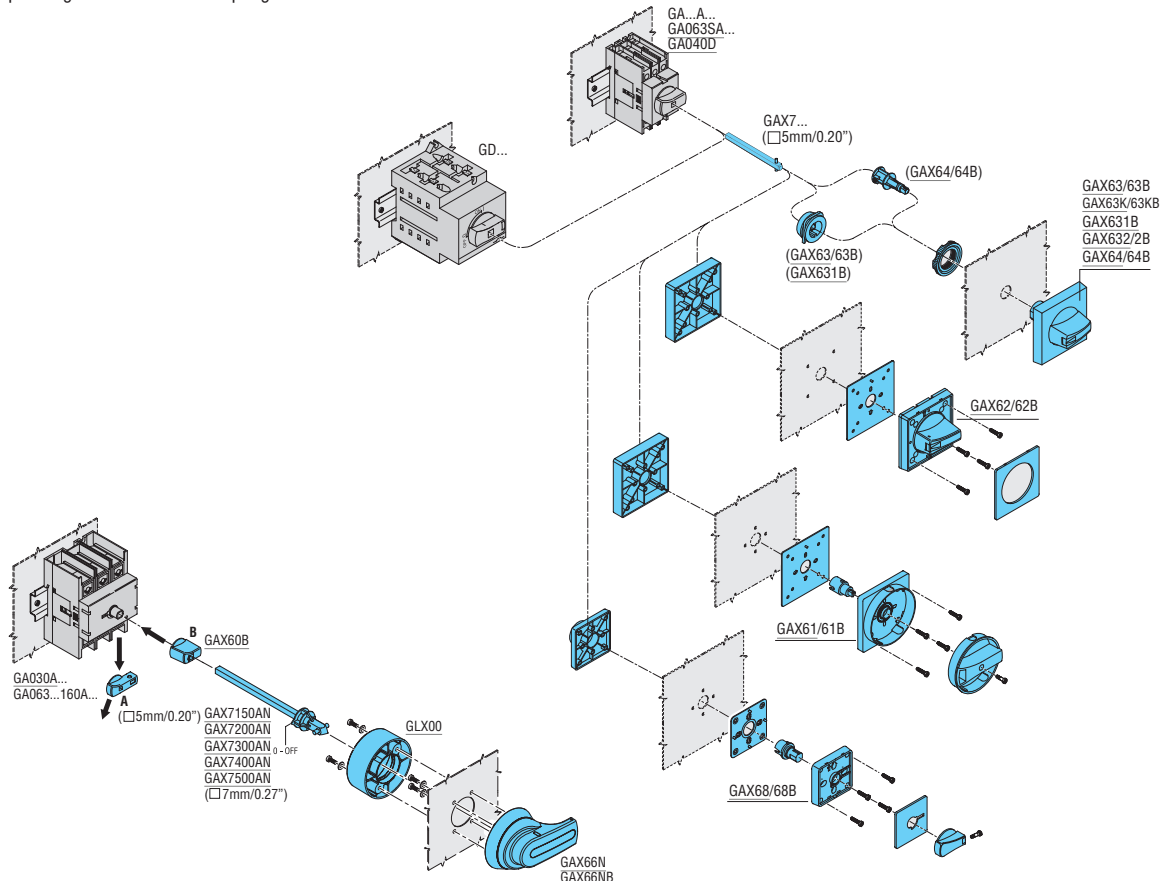
General and operational characteristics

- Choice of handle fixing: ring or screw
- Handle fixing centres:
 - GAX61/61B-GAX62/62B-GAX67B: 36x36mm/1.42x1.42" or 48x48mm/1.89x1.89"
 - GAX66N/66NB: 28x40mm/1.10x1.57"
 - GAX68/68B: 28x28mm/1.10x1.10" or 36x36mm/1.42x1.42"
- Compatible with pre-existing drillings of most common types in the marketplace
- 1 to 3 padlocks in the Ø4...8mm/0.16...0.31" for all handles except:
 - GAX68 only 1 padlock in the Ø4...8mm/0.16...0.31"
 - GAX61 up to 3 padlocks in the Ø5...8mm/0.20...0.31"
- Front plate dimensions:
 - GAX61/61B-GAX62/62B-GAX63/63B-GAX64/64B-GAX67/67B: 65x65mm/2.56x2.56"
 - GAX66N/66NB: Ø76mm/2.99"
 - GAX68/68B: 48x48mm/1.89x1.89"
- Tightening torque:
 - Fixing ring types: 2.3Nm/20.4lb.in
 - GAX60B: 0.8Nm/7lb.in
 - GAX66N/66NB: 1.5Nm/13.3lb.in
 - All others: 0.8Nm/7lb.in
- Degree of protection for GAX63K/63KB and GAX66N/66NB: IP66, IP69K; for UL/CSA data see detail on page 14-20
- Degree of protection for all others handles: IP65.

Certifications and compliance

See the table on page 14-20.

From direct operating version to door coupling version.



14 Switch disconnectors

GA series 16A to 160A.

Add-on blocks and accessories

Handles



GAX61B



GAX63...B



GAX632B



GAX67B

❶ For GA...A..., GA040D and GD... switch disconnectors, separately purchase extension GAX7...

❷ Snap-on fixing of GA016C...GA040C and GA063SC switch disconnectors with the handle.

❸ Separately purchase GAX7...AN shaft extension and GAX60B adaptor.

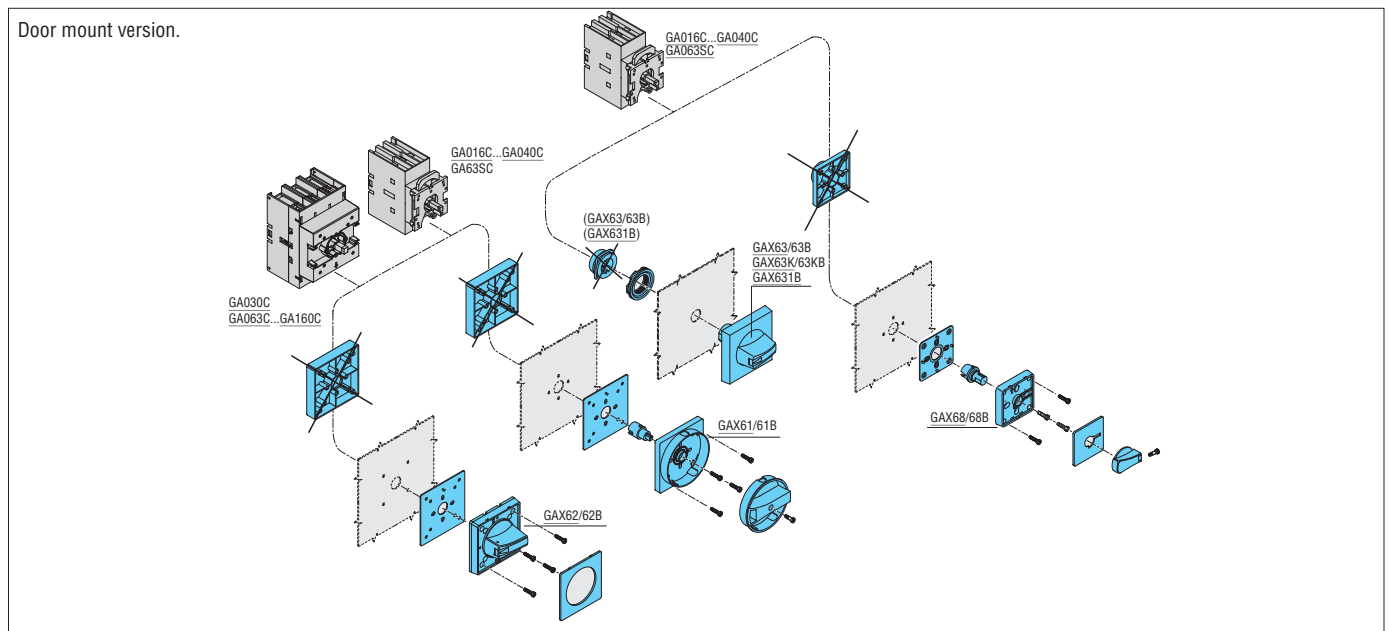
Order code	Characteristics	Qty per pkg	Wt [kg]
		n°	[kg]
DOOR COUPLING VERSION PADLOCKABLE, IP65 (TYPE 4X). Black.			
GAX61B	For GA...A..., GA...C, GA040D and GD... Screw fixing. Handle with selector flush-mounted ❶. □ 5mm/0.2"	1	0.073
GAX62B	For GA...A..., GA...C, GA040D and GD... Screw fixing. Handle with selector protruding ❶. □ 5mm/0.2"	1	0.072
GAX63B	For GA...A..., GA016C...GA040C, GA063SC, GA040D and GD... Ring fixing. Handle with selector protruding ❶❷. □ 5mm/0.2"	1	0.068
GAX63KB	For GA...A..., GA016C...GA040C, GA063SC, GA040D and GD... Ring fixing. Handle with selector protruding ❶❷. □ 5mm/0.2". IP69K	1	0.068
GAX631B	For GA...A..., GA016C...GA040C, GA063SC, GA040D and GD... Ring fixing. Handle with selector protruding padlockable in ON pos. (UNI 9490 and UNI EN 12845) ❶❷. □ 5mm/0.2"	1	0.074
GAX632B	For GA...A..., GA040D and GD... Ring fixing low profile. Handle with selector protruding. □ 5mm/0.2" ❶	1	0.057
GAX64B	For GA...A..., GA040D and GD... Ring fixing. Handle with selector protruding - defeatable (requir. UL508A) ❶. □ 5mm/0.2"	1	0.064
GAX66NB	For GA030A..., GA063A...GA160A... and GAX6001. Screw fixing. Pistol handle - defeatable (req. UL 508A) ❶. □ 7mm/0.3"	1	0.140
GAX67B	For mechanical interlock GAX50... (I-O-II) ❶. □ 5mm/0.2"	1	0.078
GAX68B	For GA016A...GA040A..., GA063SA, GA040D, GA016C...GA040C, GA063SC and GD.... Screw fixing. Handle with selector lowered ❶. □ 5mm/0.2"	1	0.060

General and operational characteristics

- Choice of handle fixing: ring or screw
- Handle fixing centres:
 - GAX61/61B-GAX62/62B-GAX67B: 36x36mm/1.42x1.42" or 48x48mm/1.89x1.89"
 - GAX66N/66NB: 28x40mm/1.10x1.57"
 - GAX68/68B: 28x28mm/1.10x1.10" or 36x36mm/1.42x1.42"
 - Compatible with pre-existing drillings of most common types in the marketplace
- 1 to 3 padlocks in the Ø4...8mm/0.16...0.31" for all handles except:
 - GAX68 only 1 padlock in the Ø4...8mm/0.16...0.31"
 - GAX61 up to 3 padlocks in the Ø5...8mm/0.20...0.31"
- Front plate dimensions:
 - GAX61/61B-GAX62/62B-GAX63/63B-GAX64/64B-GAX67/67B: 65x65mm/2.56x2.56"
 - GAX66N/66NB: Ø76mm/2.99"
 - GAX68/68B: 48x48mm/1.89x1.89"
- Tightening torque:
 - Fixing ring types: 2.3Nm/20.4lb.in
 - GAX60B: 0.8Nm/7lb.in
 - GAX66N/66NB: 1.5Nm/13.3lb.in
 - All others: 0.8Nm/7lb.in
- Degree of protection for GAX63K/63KB and GAX66N/66NB: IP66, IP69K; for UL/CSA data see detail on page 14-20
- Degree of protection for all others handles: IP65.

Certifications and compliance

See the table on page 14-20.



14 Switch disconnectors

GA series 16A to 160A.

Add-on blocks and accessories

INDEX

Shaft extensions Terminal covers Fuse holders



GAX7...



GAX7... AN



GLX00



GAX60B



GAX18S0...



GAX8...



GAX391...

Order code	Characteristics	Qty per pkg	Wt
		n°	[kg]

Shaft extension for door coupling handles GAX61..., GAX62..., GAX63..., GAX64..., GAX67B, and mechanical interlock type GAX5000, GAX5001 and mechanical coupling GAX6000 ❶.

GAX7055	55mm/2.16" long □ 5mm/0.2"	1	0.012
GAX7070	70mm/2.75" long □ 5mm/0.2"	1	0.014
GAX7090	90mm/3.54" long □ 5mm/0.2"	1	0.018
GAX7150	150mm/5.90" long □ 5mm/0.2"	1	0.032
GAX7200	200mm/7.87" long □ 5mm/0.2"	1	0.070
GAX7300	300mm/11.81" long □ 5mm/0.2"	1	0.068
GAX7400	400mm/15.75" long □ 5mm/0.2"	1	0.072
GAX7500	500mm/19.68" long □ 5mm/0.2"	1	0.090

Shaft extension for door coupling handles GAX66N, GAX66NB and mechanical coupling system GAX6001.

GAX7150AN	150mm/5.90" long □ 7mm/0.3"	1	0.090
GAX7200AN	200mm/7.87" long □ 7mm/0.3"	1	0.112
GAX7300AN	300mm/11.81" long □ 7mm/0.3"	1	0.160
GAX7400AN	400mm/15.74" long □ 7mm/0.3"	1	0.200
GAX7500AN	500mm/19.68" long □ 7mm/0.3"	1	0.250

Adaptor for GAX66N and GAX66NB handles.

GAX60B	Adaptor □ 7mm/0.3" for GA030A..., GA063A...GA160A...	1	0.010
---------------	--	---	-------

Accessory for shaft extension.

GLX00	Shaft alignment ring	1	0.040
--------------	----------------------	---	-------

Support for shaft extension.

GAX18S05	□ 5mm/0.2"	1	0.160
GAX18S07	□ 7mm/0.27"	1	0.160

Set of 2 one-pole terminal covers for fourth pole.

GAX81	For GAX42040A, GAX42063SA, GAX42040C, GAX42063SC, GAX42040D, GAX41040A, GAX41063SA and GAX41040C	1	0.009
GAX82	For GAX42063A...GAX42160A, GAX42063C...GAX42160C, GAX41125A and GAX41125C	1	0.012

Set of 2 three-pole terminal covers.

GAX83	For GA016A...GA040A..., GA063SA..., GA016C...GA063C, GA063SC and GA040D	1	0.011
GAX84	For GA030A..., GA063A...GA160A..., GA030C..., GA063C...GA160C	1	0.030

Fuse holder for switch disconnectors.

GAX391	For GA016A...GA032A... Suitable for 10.3x38 fuse size	1	0.132
GAX391UL	For GA016A...GA025A... Suitable for Class CC 10.3x38 fuse size	1	0.135

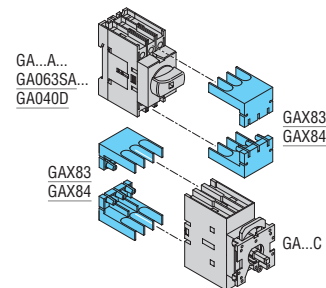
❶ Other lengths available on request.

Operational characteristics of fuse holder

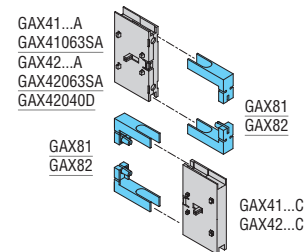
- IEC rated insulation voltage U_i : 1000V
- IEC rated impulse withstand U_{imp} : 8kV
- The fuse holders connect directly to the switch disconnectors
- Access to fuses only when the switch disconnectors are in OFF position.

Terminal covers

For switch disconnectors



For fourth pole



Certifications and compliance

Certifications obtained:

Type	cULus according to UL60947-4-1 / CSA C22.2 n°60947-4-1	cULus according to UL98 / CSA C22.2 n°4	EAC
GAX61-GAX61B	●	●	●
GAX62-GAX62B	●	●	●
GAX63-GAX63B	●	●	●
GAX63K-GAX63KB	—	—	●
GAX631B	—	—	●
GAX632-GAX632B	●	●	●
GAX64-GAX64B	●	●	●
GAX66N-GAX66NB	—	●	●
GAX67B	●	●	●
GAX68-GAX68B	—	—	●
GAX60B	—	●	●
GAX7055...GAX7500	●	●	●
GAX7150A...GAX7300A	—	●	●
GAX81-GAX83	—	—	●
GAX82-GAX84	—	●	●
GAX391	—	—	●
GAX391UL	●	—	—

● Certification obtained.

NOTE: types GAX61/61B, GAX62/62B, GAX63/63B, GAX63K/63KB, GAX632/632B, GAX64/64B, GAX68/68B, GAX67B are UL/CSA Type 1, 2, 3R, 12, 12K, 4, 4X external use when used with types GA016...40A/C, GA040D and GA063SA/C.

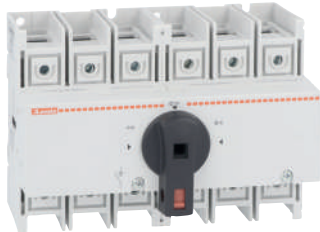
GAX61/61B, GAX62/62B, GAX63/63B, GAX63K/63KB, GAX632/632B, GAX64/64B, GAX66N/66NB, GAX67B are UL/CSA Type 1, 3R, 12, 12K, 4, 4X external use when used with types GA030A/C and GA063...GA125A/C.

Compliant with standards: IEC/EN/BS 60947-1, IEC/EN/BS 60947-3, UL60947-4-1, UL98, CSA C22.2.

Assembled manual changeover switches



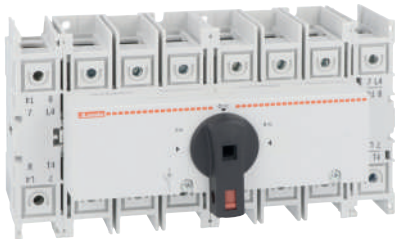
GA025...063...ET6



GA080...160ET6



GA025...063...ET8



GA080...160ET8

Order code	IEC conventional thermal current I _{th} AC21A (≤690V)	IEC rated operational current I _e AC22A (≤690V) AC23A (≤400V)	Qty per pkg	Wt
	[A]	[A]	n°	[kg]

Three-pole versions.

GA025ET6	25	25	1	0.350
GA040ET6	40	40	1	0.350
GA063SAET6	63	45	1	0.350
GA080ET6	80	80	1	0.881
GA125ET6	125	125	1	0.881
GA160ET6	160	125	1	0.881

Four-pole versions.

GA025ET8	25	25	1	1.250
GA040ET8	40	40	1	1.250
GA063SAET8	63	45	1	1.250
GA080ET8	80	80	1	1.133
GA125ET8	125	125	1	1.133
GA160ET8	160	125	1	1.133

Components

Switch disconnector	Fourth pole	Mechanical interlock
2 x GA025A	-	GAX5000
2 x GA040A	-	GAX5000
2 x GA063SA	-	GAX5000
2 x GA080A	-	GAX5001
2 x GA125A	-	GAX5001
2 x GA160A	-	GAX5001

2 x GA025A	2 x GAX42040A	GAX5000
2 x GA040A	2 x GAX42040A	GAX5000
2 x GA063SA	2 x GAX42063SA	GAX5000
2 x GA080A	2 x GAX42080A	GAX5001
2 x GA125A	2 x GAX42125A	GAX5001
2 x GA160A	2 x GAX42160A	GAX5001

Switch disconnectors complete with shaft extension, door-coupling handle and terminal covers



GA...A...K...

Order code	IEC conventional thermal current I _{th} AC21A (≤690V)	IEC rated operational current I _e AC22A (≤690V) AC23A (≤400V)	Poles	Qty per pkg	Wt
	[A]	[A]	n°	n°	[kg]

Three-pole versions.

GA025AK30063T4	25	25	3P	1	0.302
GA040AK30063T4	40	40	3P	1	0.302
GA063SAK30063T4	63	45	3P	1	0.302

Four-pole versions.

GA025AK30063T4	25	25	4P	1	0.356
GA040AK30063T4	40	40	4P	1	0.356
GA063SAK30063T4	63	45	4P	1	0.356

Components

Switch disconnector	Fourth pole	Terminal cover	
		3P	1P
GA025A	-	GAX83	-
GA040A	-	GAX83	-
GA063SA	-	GAX83	-

GA025A	GAX42040A	GAX83	GAX81
GA040A	GAX42040A	GAX83	GAX81
GA063SA	GAX42063SA	GAX83	GAX81

- 300mm/11.8" shaft extension: GAX7300
- Red/yellow door-coupling handle: GAX63
- 2 pcs-set of terminal covers for both line and load terminals protection.

14 Switch disconnectors

GA series 16A to 160A.

Empty plastic enclosures



INDEX

Empty plastic enclosures IEC/EN/BS IP65 type



GAZ1

GAZ2



GAZ3



GAX30

Order code	Description	Qty per pkg	Wt
		n°	[kg]

For switch disconnectors.
With red/yellow handle. Complete with shaft extension.

GAZ1	For GA016A...GA040A.../D	1	0.320
GAZ2	For GA063SA..., GA030A... and GA063A...GA100A...	1	0.780
GAZ3	For GA125A...GA160A...	1	1.900

With black handle. Complete with shaft extension.

GAZ1B	For GA016A...GA040A.../D	1	0.320
GAZ2B	For GA063SA..., GA030A... and GA063A...GA100A...	1	0.730
GAZ3B	For GA125A...GA160A...	1	1.900

Accessory.

GAX30	Shielded cable fixing kit for GAZ1 and GAZ1B	1	0.083
--------------	--	---	-------

The empty enclosures are supplied with the following accessories:

Enclosure	GAZ1 GAZ1B	GAZ2 GAZ2B	GAZ3 GAZ3B
Red/yellow handle	GAX61	GAX61	GAX61
Black handle	GAX61B	GAX61B	GAX61B
Extension	1	1	1
Neutral plate terminal	1	1	-
Earth/Ground plate terminal	1	1	-

General characteristics

- Enclosure material: ABS
- Padlockable handles
- Sealable cover
- Tightening torque for cover screws:
 - GAZ1...: 1.3Nm/16lb.in
 - GAZ2... and GAZ3...: 1.5Nm/13lb.in
- Degree of protection: IP65
- Cable entry:
 - GAZ1... types: PG16/M25 and PG13.5/M20 knockouts
 - GAZ2... types: PG16/M25 and PG29/M32 knockouts
 - GAZ3... types: smooth surfaces; can be drilled by customer.

Certifications and compliance

Certifications obtained: EAC.
Compliant with standards: IEC/EN/BS 60947-3, IEC/EN/BS 60947-1.

Empty plastic enclosures UL/CSA Type 4/4X



GAZ1UL



GAZ2UL



GAX30

Order code	Description	Qty per pkg	Wt
		n°	[kg]

For switch disconnectors.
With red/yellow handle. Complete with shaft extension.

GAZ1UL	For GA016A...GA040A... and GA040D	1	0.320
GAZ2UL	For GA063SA...	1	0.730

With black handle. Complete with shaft extension.

GAZ1BUL	For GA016A...GA040A... and GA040D	1	0.320
GAZ2BUL	For GA063SA...	1	0.730

Accessory.

GAX30	Shielded cable fixing kit for GAZ1UL and GAZ1BUL	1	0.083
--------------	--	---	-------

The empty enclosures are supplied with the following accessories:

Enclosure	GAZ1UL GAZ1BUL	GAZ2UL GAZ2BUL
Red/yellow handle	GAX61	GAX61
Black handle	GAX61B	GAX61B
Extension	1	1
Neutral plate terminal	1	1
Earth/Ground plate terminal	1	1

General characteristics

- Enclosure material: polycarbonate
- Padlockable handles
- Sealable cover
- Tightening torque for cover screws:
 - GAZ1...UL: 1.3Nm/16lb.in
 - GAZ2...UL: 1.5Nm/13lb.in
- Degree of protection: IP65; UL/CSA Type 4/4X
- Cable entry:
 - GAZ1...UL types: PG16/M25 and PG13.5/M20 knockouts
 - GAZ2...UL types: PG16/M25 and PG29/M32 knockouts.

Certifications and compliance

Certifications obtained: cULus for GAZ016...GAZ125...UL, GAZ1...UL and GAZ2...UL types; EAC for all.
Compliant with standards: IEC/EN/BS 60947-3, IEC/EN/BS 60947-1, UL60947-4-1 e CSA C22.2 n°60947-4-1 (up to GAZ063SA...), UL98 and CSA C22.2 n°4 (for all others types).

14 Switch disconnectors

GA series 16A to 160A.

Switch disconnectors in plastic enclosure

Switch disconnectors in plastic enclosure IEC/EN/BS IP65



GAZ016...GAZ040...



GAZ016...B...GAZ040...B



GAZ063...100C...



GAZ063...B...100C...B



GAZ125... GAZ160...



GAZ125...B... GAZ160...B

Order code	IEC conventional thermal current Ith AC21A (≤690V)	IEC rated operational current Ie AC23B (≤400V)	AC23B (≤500V)	Qty per pkg	Wt [kg]
	[A]	[A]	[A]	n°	[kg]

THREE-POLE.
With red/yellow handle.

GAZ016	16	16	16	1	0.450
GAZ025	25	25	25	1	0.450
GAZ032	32	32	25	1	0.450
GAZ040	40	40	25	1	0.450
GAZ063SA	63	45	25	1	0.870
GAZ063C	63	63	63	1	1.220
GAZ080C	80	80	63	1	1.220
GAZ100C	100	100	80	1	1.220
GAZ125	125	125	100	1	2.220
GAZ160	160	125	100	1	2.220

THREE-POLE.
With black handle.

GAZ016B	16	16	16	1	0.450
GAZ025B	25	25	25	1	0.450
GAZ032B	32	32	25	1	0.450
GAZ040B	40	40	25	1	0.450
GAZ063SAB	63	45	25	1	0.870
GAZ063CB	63	63	63	1	1.220
GAZ080CB	80	80	63	1	1.220
GAZ100CB	100	100	80	1	1.220
GAZ125B	125	125	100	1	2.220
GAZ160B	160	125	100	1	2.220

FOUR-POLE.
With red/yellow handle.

GAZ016T4	16	16	16	1	0.550
GAZ032T4	32	32	25	1	0.550
GAZ040T4	40	40	25	1	0.550
GAZ063SAT4	63	45	25	1	0.780
GAZ063CT4	63	63	63	1	1.250
GAZ100CT4	100	100	80	1	1.250
GAZ125T4	125	125	100	1	2.500
GAZ160T4	160	125	100	1	2.500

FOUR-POLE.
With black handle.

GAZ016T4B	16	16	16	1	0.550
GAZ032T4B	32	32	25	1	0.550
GAZ040T4B	40	40	25	1	0.550
GAZ063SAT4B	63	45	25	1	0.780
GAZ063CT4B	63	63	63	1	1.250
GAZ100CT4B	100	100	80	1	1.250
GAZ125T4B	125	125	100	1	2.500
GAZ160T4B	160	125	100	1	2.500

General characteristics

- Enclosure material: ABS
- For four-pole types not indicated, separately purchase corresponding fourth pole GAX42...A and install on enclosed 3-pole version
- Possible accessories to mount afterwards, if any required:
 - GAX30 to provide shielded cable connection continuity (e.g. with static converters)
 - GAZ016...GAZ040...: 1 contact block both on the right and left disconnector side unless 4th pole is installed
 - Other types: 2 contact blocks both on the right and left disconnector side unless 4th pole is installed
 - GAZ125...GAZ160...: if any earth/ground and/or neutral terminal required, separately purchase types GAX3... given on page 14-15
- Padlockable handles
- Sealable cover

Components

Enclosure	Switch disconnector	Handle standard supplied with GAZ...
-----------	---------------------	--------------------------------------

GAZ1	GA016A	GAX61
GAZ1	GA025A	GAX61
GAZ1	GA032A	GAX61
GAZ1	GA040A	GAX61
GAZ2	GA063SA	GAX61
GAZ2	GA063A	GAX61
GAZ2	GA080A	GAX61
GAZ2	GA100A	GAX61
GAZ3	GA125A	GAX61
GAZ3	GA160A	GAX61

GAZ1B	GA016A	GAX61B
GAZ1B	GA025A	GAX61B
GAZ1B	GA032A	GAX61B
GAZ1B	GA040A	GAX61B
GAZ2B	GA063SA	GAX61B
GAZ2B	GA063A	GAX61B
GAZ2B	GA080A	GAX61B
GAZ2B	GA100A	GAX61B
GAZ3B	GA125A	GAX61B
GAZ3B	GA160A	GAX61B

Enclosure	Switch disconnector	4th pole	Handle standard supplied with GAZ...
GAZ1	GA016A	GAX42040A	GAX61
GAZ1	GA032A	GAX42040A	GAX61
GAZ1	GA040A	GAX42040A	GAX61
GAZ2	GA063SA	GAX42063SA	GAX61
GAZ2	GA063A	GAX42063A	GAX61
GAZ2	GA100A	GAX42100A	GAX61
GAZ3	GA125A	GAX42125A	GAX61
GAZ3	GA160A	GAX42160A	GAX61

GAZ1B	GA016A	GAX42040A	GAX61B
GAZ1B	GA032A	GAX42040A	GAX61B
GAZ1B	GA040A	GAX42040A	GAX61B
GAZ2B	GA063SA	GAX42063SA	GAX61B
GAZ2B	GA063A	GAX42063A	GAX61B
GAZ2B	GA100A	GAX42100A	GAX61B
GAZ3B	GA125A	GAX42125A	GAX61B
GAZ3B	GA160A	GAX42160A	GAX61B

- Tightening torque for cover screws:
 - GAZ016...GAZ040...: 1.3Nm/16lb.in
 - Other types: 1.5Nm/13lb.in
- Degree of protection: IP65
- Cable entry:
 - GAZ016..., GAZ040... types: PG16/M25 and PG13.5/M20 knockouts
 - GAZ063SA...GAZ100... types: PG16/M25 and PG29/M32 knockouts
 - GAZ125..., GAZ160... types: smooth surfaces; can be drilled by customer.

Certifications and compliance

Certifications obtained: EAC.
Compliant with standards: IEC/EN/BS 60947-3, IEC/EN/BS 60947-1.

14 Switch disconnectors

GA series 16A to 160A.

Switch disconnectors in plastic enclosure



INDEX

Switch disconnectors in plastic enclosure UL/CSA Type 4/4X



GAZ016...UL...GAZ040...UL



GAZ016...BUL...GAZ040...BUL



GAZ063...UL...100...UL



GAZ063...BUL...100...BUL



GAZ125...UL



GAZ125...BUL

Order code	IEC conventional thermal current Ith AC21A (≤690V)	IEC rated operational current Ie		Qty per pkg	Wt [kg]
		AC23B (≤400V)	AC23B (≤500V)		
	[A]	[A]	[A]	n°	[kg]

THREE-POLE.
With red/yellow handle.

GAZ016UL	16	16	16	1	0.450
GAZ025UL	25	25	25	1	0.450
GAZ032UL	32	32	25	1	0.450
GAZ040UL	40	40	25	1	0.450
GAZ063SAUL	63	45	25	1	0.870
GAZ063UL	63	63	63	1	1.220
GAZ080UL	80	80	63	1	2.220
GAZ100UL	100	100	80	1	2.220
GAZ125UL	125	125	100	1	2.220

THREE-POLE.
With black handle.

GAZ016BUL	16	16	16	1	0.450
GAZ025BUL	25	25	25	1	0.450
GAZ032BUL	32	32	25	1	0.450
GAZ040BUL	40	40	25	1	0.450
GAZ063SABUL	63	45	25	1	0.870
GAZ063BUL	63	63	63	1	1.220
GAZ080BUL	80	80	63	1	2.220
GAZ100BUL	100	100	80	1	2.220
GAZ125BUL	125	125	100	1	2.220

FOUR-POLE.
With red/yellow handle.

GAZ016T4UL	16	16	16	1	0.550
GAZ032T4UL	32	32	25	1	0.550
GAZ063T4UL	63	63	63	1	1.150
GAZ100T4UL	100	100	80	1	2.500
GAZ125T4UL	125	125	100	1	2.500

FOUR-POLE.
With black handle.

GAZ016T4BUL	16	16	16	1	0.550
GAZ032T4BUL	32	32	25	1	0.550
GAZ063T4BUL	63	63	63	1	1.150
GAZ100T4BUL	100	100	80	1	2.500
GAZ125T4BUL	125	125	100	1	2.500

① Extension shaft GAX7150 to be cut at 114mm/4.49" of total length.

Components

Enclosure	Switch disconnector	Handle standard supplied with GAZ...
-----------	---------------------	--------------------------------------

GAZ1UL	GA016A	GAX61
GAZ1UL	GA025A	GAX61
GAZ1UL	GA032A	GAX61
GAZ1UL	GA040A	GAX61
GAZ2UL	GA063SA	GAX61
M3NUL+GAX7150 ①	GA063A	GAX61
M3NUL+GAX7150 ①	GA080A	GAX61
M3NUL+GAX7150 ①	GA100A	GAX61
M3NUL+GAX7150 ①	GA125A	GAX61

GAZ1BUL	GA016A	GAX61B
GAZ1BUL	GA025A	GAX61B
GAZ1BUL	GA032A	GAX61B
GAZ1BUL	GA040A	GAX61B
GAZ2BUL	GA063SA	GAX61B
M3NUL+GAX7150 ①	GA063A	GAX61B
M3NUL+GAX7150 ①	GA080A	GAX61B
M3NUL+GAX7150 ①	GA100A	GAX61B
M3NUL+GAX7150 ①	GA125A	GAX61B

Enclosure	Switch disconnector	4th pole	Handle standard supplied with GAZ...
GAZ1UL	GA016A	GAX42040A	GAX61
GAZ1UL	GA032A	GAX42040A	GAX61
M3NUL+GAX7150 ①	GA063A	GAX42063A	GAX61
M3NUL+GAX7150 ①	GA100A	GAX42100A	GAX61
M3NUL+GAX7150 ①	GA125A	GAX42125A	GAX61

GAZ1BUL	GA016A	GAX42040A	GAX61B
GAZ1BUL	GA032A	GAX42040A	GAX61B
M3NUL+GAX7150 ①	GA063A	GAX42063A	GAX61B
M3NUL+GAX7150 ①	GA100A	GAX42100A	GAX61B
M3NUL+GAX7150 ①	GA125A	GAX42125A	GAX61B

General characteristics

- Enclosure material: polycarbonate
- For four-pole types not indicated, separately purchase corresponding fourth pole GAX4...A and install on enclosed 3-pole UL-suffix version
- Possible accessories to mount afterwards, if any required:
 - GAX30 to provide shielded cable connection continuity (e.g. with static converters)
 - GAZ016...GAZ040...: 1 contact block both on the right and left disconnector side unless 4th pole is installed
 - Other types: 2 contact blocks both on the right and left disconnector side unless 4th pole is installed
- Padlockable handles
- Sealable cover
- Tightening torque for cover screws:
 - GAZ016...GAZ040...UL: 1.3Nm/16lb.in
 - Other types: 1.5Nm/13lb.in
- Degree of protection: IP65; UL/CSA Type 4/4X
- Cable entry:
 - GAZ016...GAZ040...UL types: PG16/M25 and PG13.5/M20 knockouts
 - GAZ063SA...UL types: PG16/M25 and PG29/M32 knockouts
 - GAZ063...GAZ125...UL types: smooth surfaces; can be drilled by customer.

Certifications and compliance

Certifications obtained: cULus for GAZ016... GAZ125...UL, GAZ1...UL and GAZ2...UL types; EAC for all.
Compliant with standards: IEC/EN/BS 60947-3, IEC/EN/BS 60947-1, UL60947-4-1 and CSA C22.2 n°60947-4-1 (up to GAZ063SA...), UL98 and CSA C22.2 n°4 (for all others).

14 Switch disconnectors

GA series 16A to 160A.

Manual changeover switches in plastic enclosure

INDEX

Manual changeover switches in plastic enclosure UL/CSA Type 4/4X



GAZ025E...GAZ063SAE...



GAZ080E...
GAZ160E...

Order code	IEC conventional free air thermal current Ith		IEC rated operational current Ie		Qty per pkg	Wt [kg]
	AC21A (≤690V)	AC23B (≤400V)	AC23B (≤500V)	AC23B (≤500V)		
	[A]	[A]	[A]	[A]	n°	[kg]

3-pole line changeover switches I-0-II. Black handle.

GAZ025ET6	25	25	25	1	1.060
GAZ040ET6	40	40	25	1	1.060
GAZ063SAET6	63	45	25	1	1.070
GAZ080ET6	80	80	63	1	2.950
GAZ125ET6	125	125	100	1	2.950
GAZ160ET6	160	125	100	1	2.950

4-pole line changeover switches I-0-II. Black handle.

GAZ025ET8	25	25	25	1	1.060
GAZ040ET8	40	40	25	1	1.060
GAZ063SAET8	63	45	25	1	1.070
GAZ080ET8	80	80	63	1	2.950
GAZ125ET8	125	125	100	1	2.950
GAZ160ET8	160	125	100	1	2.950

Components

Enclosure	Switch disconnectors	Mechanical interlock	Handle
M25N+GAX7090	2xGA025A	GAX5000	GAX67B
M25N+GAX7090	2xGA040A	GAX5000	GAX67B
M25N+GAX7090	2xGA063SA	GAX5000	GAX67B
M3NUL+GAX7090	2xGA080A	GAX5001	GAX67B
M3NUL+GAX7090	2xGA125A	GAX5001	GAX67B
M3NUL+GAX7090	2xGA160A	GAX5001	GAX67B
Enclosure	Switch disconnectors	Mechanical interlock	Handle
M25N+GAX7090	2xGA025A + 2xGAX42040A	GAX5000	GAX67B
M25N+GAX7090	2xGA040A + 2xGAX42040A	GAX5000	GAX67B
M25N+GAX7090	2xGA063SA + 2xGAX42063SA	GAX5000	GAX67B
M3NUL+GAX7090	2xGA080A + 2xGAX42080A	GAX5001	GAX67B
M3NUL+GAX7090	2xGA125A + 2xGAX42125A	GAX5001	GAX67B
M3NUL+GAX7090	2xGA160A + 2xGAX42160A	GAX5001	GAX67B

UL/CSA ratings

Type	1 phase [HP]		3 phase [HP]				General use at 600VAC [A]	Short-circuit rating at 600VAC [kA]	Fuse class - max rating at 600V Type - [A]
	120V	240V	200-208V	240V	480V	600V			
GAZ016...	1	2	5	5	10	10	16	5	RK5 - 20A
GAZ025...	1½	3	7½	7½	15	20	25	5	RK5 - 30A
GAZ032...	2	5	10	10	20	20	32	5	RK5 - 35A
GAZ040...	2	5	10	15	20	25	40	5	RK5 - 45A
GAZ063S...	2	7½	10	15	30	30	60	5	RK5 - 45A

NOTE: Above ratings are valid for GAZ016 - GAZ063S...UL types, according to UL508 and CSA 22.2 n°14.

Type	1 phase [HP]		3 phase [HP]				General use at 600VAC [A]	Short-circuit rating at 600VAC [kA]	Fuse class - max rating at 600V Type - [A]
	120V	240V	200-208V ^②	240V	480V	600V			
GAZ063C...	3	7½	20	20	40	40	60	10	100
GAZ080...	3	10	25	25	40	40	100	10	100
GAZ100...	5	10	30	30	50	50	100	10	100
GAZ125...	7½	10	30	30	60	60	100	10	100

NOTE: Above ratings are valid for GAZ063C - GAZ125... types, according to UL98 and CSA C22.2 n°4.

① Lower ratings in this same UL/CSA category are available on specific request for volume orders.

For information, consult Technical support; see contact details on inside front cover.

② Voltage value not considered in UL98 / CSA 22.2 n°4 standards.

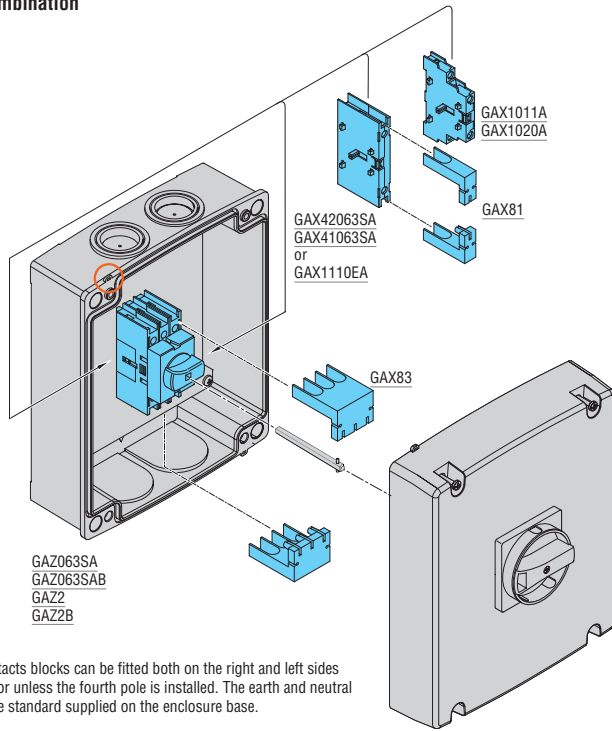
General characteristics

- Enclosure material: polycarbonate
- Possibility of fitting:
 - 2 contact blocks both on the right and left side for GAZ...ET6 types
 - 1 contact block both on the right and left side for GAZ...ET8 types
- Padlockable handle complete with extension
- Earth and neutral plate terminals
- Sealable enclosure cover
- Tightening torque for cover screws: 1.5Nm/13lb.in
- Degree of protection: IP65; UL/CSA Type 4/4X
- Cable entry:
 - GAZ025...GAZ063SA... types: PG16/M25 and PG29/M32 knockouts
 - GAZ080... and GAZ160... types: smooth surfaces; can be drilled by customer.

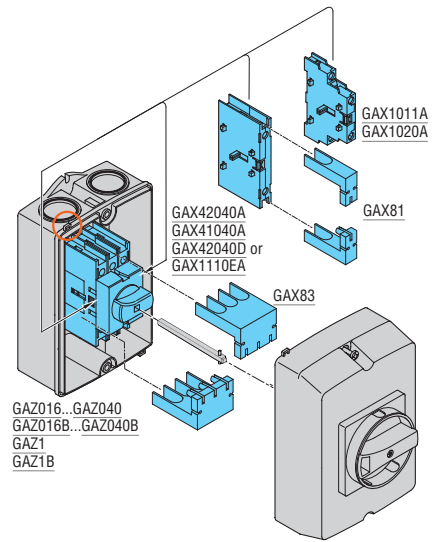
Certifications and compliance

Certifications obtained: cULus (except GAZ160E...), EAC. Compliant with standards: IEC/EN/BS 60947-3, IEC/EN/BS 60947-1, UL60947-4-1 and CSA C22.2 n°60947-4-1 (up to GAZ063SA...), UL98 and CSA C22.2 n°4 (for all others except GAZ160E...).

Maximum combination Enclosures

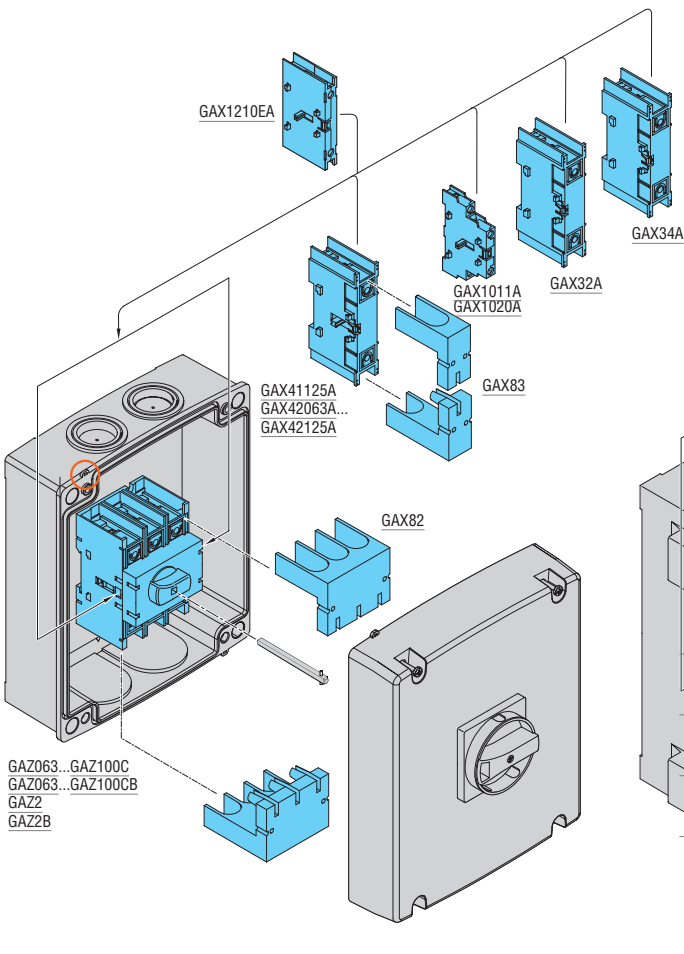
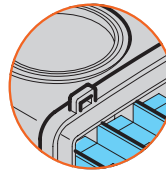


Two auxiliary contacts blocks can be fitted both on the right and left sides of the disconnector unless the fourth pole is installed. The earth and neutral plate terminals are standard supplied on the enclosure base.

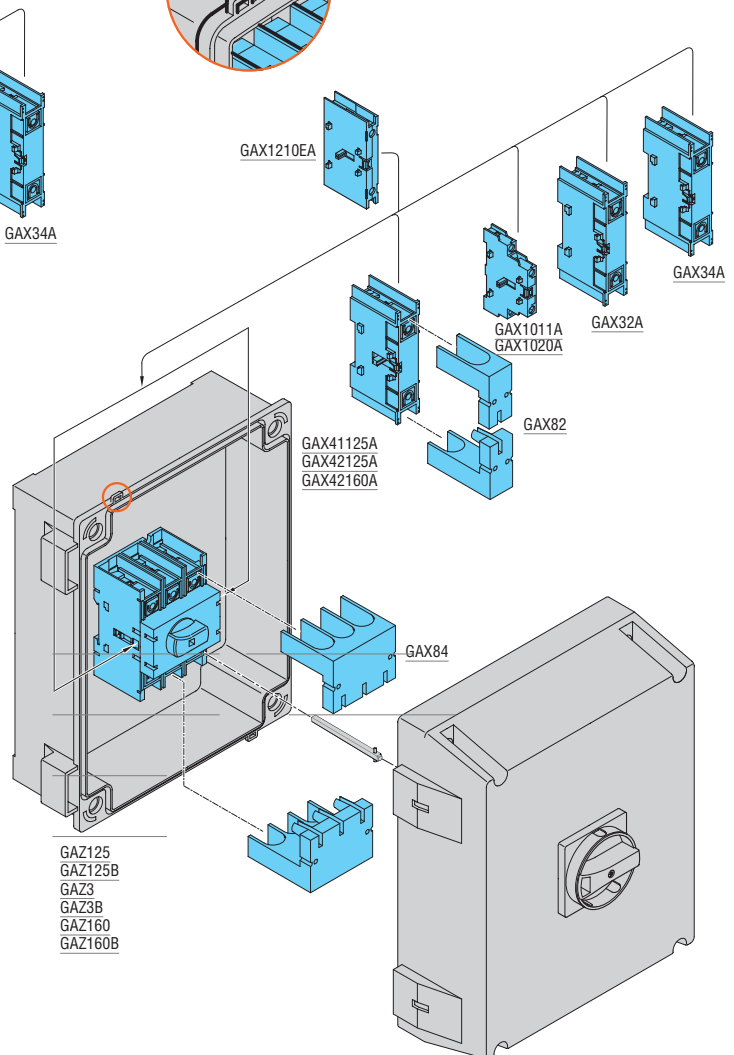


One auxiliary contact block can be fitted on the right and left sides of the disconnector unless the fourth pole is installed. The earth and neutral plate terminals are standard supplied on the enclosure base.

Sealing eyelet



GAZ063...GAZ100C
 GAZ063...GAZ100CB
 GAZ2
 GAZ2B



Two auxiliary contact blocks can be fitted both on the right and left sides of the disconnector unless the fourth pole is installed. Earth and neutral plate terminals are standard supplied on the box base. If any earth/ground and/or neutral terminals are required, type GAX3..., purchase separately.

14 Switch disconnectors

GA series 16A to 160A.

Switch disconnectors in metal enclosure

Switch disconnectors in metal enclosure IEC/EN/BS IP65



GAZM016...GAZM100...



GAZM016...B...GAZM100...B



GAZM125...GAZM160...



GAZM125...B...GAZM160...B

Order code	IEC conventional thermal current I _{th} AC21A (≤690V)		IEC rated operational current I _e AC23B (≤400V) AC23B (≤500V)		Qty per pkg	Wt [kg]
	[A]	[A]	[A]	[A]		

THREE-POLE.
With red/yellow handle.

GAZM016	16	16	16	1	2.150
GAZM025	25	25	25	1	2.150
GAZM032	32	32	25	1	2.150
GAZM040	40	40	25	1	2.150
GAZM063SA	63	45	25	1	2.150
GAZM063	63	63	63	1	2.380
GAZM080	80	80	63	1	2.380
GAZM100	100	100	80	1	2.380
GAZM125	125	125	100	1	3.550
GAZM160	160	125	100	1	3.550

THREE-POLE.
With black handle.

GAZM016B	16	16	16	1	2.150
GAZM025B	25	25	25	1	2.150
GAZM032B	32	32	25	1	2.150
GAZM040B	40	40	25	1	2.150
GAZM063SAB	63	45	25	1	2.150
GAZM063B	63	63	63	1	2.380
GAZM080B	80	80	63	1	2.380
GAZM100B	100	100	80	1	2.380
GAZM125B	125	125	100	1	3.550
GAZM160B	160	125	100	1	3.550

FOUR-POLE.
With red/yellow handle.

GAZM016T4	16	16	16	1	2.195
GAZM032T4	32	32	25	1	2.195
GAZM040T4	40	40	25	1	2.195
GAZM063SAT4	63	45	25	1	2.195
GAZM063T4	63	63	63	1	2.506
GAZM100T4	100	100	80	1	2.506
GAZM125T4	125	125	100	1	3.676
GAZM160T4	160	125	100	1	3.676

FOUR-POLE.
With black handle.

GAZM016T4B	16	16	16	1	2.195
GAZM032T4B	32	32	25	1	2.195
GAZM040T4B	40	40	25	1	2.195
GAZM063SAT4B	63	45	25	1	2.195
GAZM063T4B	63	63	63	1	2.506
GAZM100T4B	100	100	80	1	2.506
GAZM125T4B	125	125	100	1	3.676
GAZM160T4B	160	125	100	1	3.676

Components

Enclosure	Switch disconnector	Handle
-----------	---------------------	--------

GAZM1	GA016A	GAX61
GAZM1	GA025A	GAX61
GAZM1	GA032A	GAX61
GAZM1	GA040A	GAX61
GAZM1	GA063SA	GAX61
GAZM1	GA063A	GAX61
GAZM1	GA080A	GAX61
GAZM1	GA100A	GAX61
GAZM2	GA125A	GAX61
GAZM2	GA160A	GAX61

GAZM1	GA016A	GAX61B
GAZM1	GA025A	GAX61B
GAZM1	GA032A	GAX61B
GAZM1	GA040A	GAX61B
GAZM1	GA063SA	GAX61B
GAZM1	GA063A	GAX61B
GAZM1	GA080A	GAX61B
GAZM1	GA100A	GAX61B
GAZM2	GA125A	GAX61B
GAZM2	GA160A	GAX61B

Enclosure	Switch disconnector	4th pole	Handle
GAZM1	GA016A	GAX42040A	GAX61
GAZM1	GA032A	GAX42040A	GAX61
GAZM1	GA040A	GAX42040A	GAX61
GAZM1	GA063SA	GAX42063SA	GAX61
GAZM1	GA063A	GAX42063A	GAX61
GAZM1	GA100A	GAX42100A	GAX61
GAZM2	GA125A	GAX42125A	GAX61
GAZM2	GA160A	GAX42160A	GAX61

GAZM1	GA016A	GAX42040A	GAX61B
GAZM1	GA032A	GAX42040A	GAX61B
GAZM1	GA040A	GAX42040A	GAX61B
GAZM1	GA063SA	GAX42063SA	GAX61B
GAZM1	GA063A	GAX42063A	GAX61B
GAZM1	GA100A	GAX42100A	GAX61B
GAZM2	GA125A	GAX42125A	GAX61B
GAZM2	GA160A	GAX42160A	GAX61B

① Extension shaft GAX7... cut to a specific length has to be added; for more details contact our Technical support; see contact details on inside front cover.

General characteristics

- Enclosure material: painted sheet steel
- Padlockable handle
- Front door closing with screws
- Degree of protection: IP65
- Cable entry: smooth surfaces; can be drilled by customer.

Certifications and compliance

Compliant with standards: IEC/EN/BS 60947-3, IEC/EN/BS 60947-1.

14 Switch disconnectors

GA series 16A to 160A.

In metal and stainless steel AISI 304 enclosure



INDEX

Manual changeover switches in metal enclosure IEC/EN/BS IP65



GAZM080ET...GAZM160ET...

Order code	IEC conventional thermal current Ith AC21A (≤690V)		IEC rated operational current Ie AC23B (≤400V) AC23B (≤500V)		Qty per pkg	Wt [kg]
	[A]	[A]	[A]	[A]		
3-pole line changeover switches I-0-II. Black handle.						
GAZM025ET6	25	25	25	1	1.983	
GAZM040ET6	40	40	25	1	1.983	
GAZM063SAET6	63	45	25	1	1.983	
GAZM080ET6	80	80	63	1	3.156	
GAZM125ET6	125	125	100	1	3.156	
GAZM160ET6	160	125	100	1	3.156	
4-pole line changeover switches I-0-II. Black handle.						
GAZM025ET8	25	25	25	1	2.100	
GAZM040ET8	40	40	25	1	2.100	
GAZM063SAET8	63	45	25	1	2.100	
GAZM080ET8	80	80	63	1	5.953	
GAZM125ET8	125	125	100	1	5.953	
GAZM160ET8	160	125	100	1	5.953	

Components

Enclosure	Switches disconnectors	Mechanical interlock	Handle
GAZM1	2 x GA025A	GAX5000	GAX67B
GAZM1	2 x GA040A	GAX5000	GAX67B
GAZM1	2 x GA063SA	GAX5000	GAX67B
GAZM2	2 x GA080A	GAX5001	GAX67B
GAZM2	2 x GA125A	GAX5001	GAX67B
GAZM2	2 x GA160A	GAX5001	GAX67B
GAZM1	2 x GA025A + 2 x GAX42040A	GAX5000	GAX67B
GAZM1	2 x GA040A + 2 x GAX42040A	GAX5000	GAX67B
GAZM1	2 x GA063SA + 2 x GAX42063SA	GAX5000	GAX67B
GAZM3	2 x GA080A + 2 x GAX42080A	GAX5001	GAX67B
GAZM3	2 x GA125A + 2 x GAX42125A	GAX5001	GAX67B
GAZM3	2 x GA160A + 2 x GAX42160A	GAX5001	GAX67B

General characteristics

- Enclosure material: painted sheet steel
- Padlockable handle
- Front door closing with screws and hinges on the right side of the enclosure (GAZM080ET8...GAZM160ET8...)
- Degree of protection: IP65
- Cable entry: smooth surfaces; can be drilled by customer.

Certifications and compliance

Compliant with standards: IEC/EN/BS 60947-3, IEC/EN/BS 60947-1.

Switch disconnectors in stainless steel AISI 304 enclosure IEC/EN/BS IP65



GAZS016...GAZS100...

Order code	IEC conventional thermal current Ith AC21A (≤690V)		IEC rated operational current Ie AC23B (≤400V) AC23B (≤500V)		Qty per pkg	Wt [kg]
	[A]	[A]	[A]	[A]		
THREE-POLE. With red/yellow handle.						
GAZS016	16	16	16	1	2.150	
GAZS025	25	25	25	1	2.150	
GAZS032	32	32	25	1	2.150	
GAZS040	40	40	25	1	2.150	
GAZS063SA	63	45	25	1	2.150	
GAZS063	63	63	63	1	2.380	
GAZS100	100	100	80	1	2.380	
THREE-POLE. With black handle.						
GAZS016B	16	16	16	1	2.150	
GAZS025B	25	25	25	1	2.150	
GAZS032B	32	32	25	1	2.150	
GAZS040B	40	40	25	1	2.150	
GAZS063SAB	63	45	25	1	2.150	
GAZS063B	63	63	63	1	2.380	
GAZS100B	100	100	80	1	2.380	

① Extension shaft GAX7... cut to a specific length has to be added; for more details contact our Technical support, see contact details on inside front cover.

Components

Enclosure	Switch disconnector	Handle
GAZS1	GA016A	GAX61
GAZS1	GA025A	GAX61
GAZS1	GA032A	GAX61
GAZS1	GA040A	GAX61
GAZS1	GA063SA	GAX61
GAZS1	GA063A	GAX61
GAZS1	GA100A	GAX61
GAZS1	GA016A	GAX61B
GAZS1	GA025A	GAX61B
GAZS1	GA032A	GAX61B
GAZS1	GA040A	GAX61B
GAZS1	GA063SA	GAX61B
GAZS1	GA063A	GAX61B
GAZS1	GA100A	GAX61B

General characteristics

- Enclosure material: AISI 304 stainless steel
- Padlockable handle
- Front door closing with screws
- Degree of protection: IP65
- Cable entry: smooth surfaces; can be drilled by customer
- For four-pole versions add the corresponding GAX42...A fourth pole to the switch disconnector.

Certifications and compliance

Compliant with standards: IEC/EN/BS 60947-3, IEC/EN/BS 60947-1.

14 Switch disconnectors

GA series 16A to 160A.
Empty metal enclosures

Empty metal enclosures IEC/EN/BS IP65



GAZM1



GAZM2



GAZM3



GAZS1

Order code	Enclosure dimensions	Qty per pkg	Wt
	[mm (in)]	n°	[kg]

For switch disconnectors.
Painted sheet steel enclosures.

GAZM1	150x200x120 (5.90x7.87x4.72)	1	1.680
GAZM2	200x300x120 (7.87x11.81x4.72)	1	3.000
GAZM3	300x400x120 (11.8x15.75x4.72)	1	4.900

AISI 304 stainless steel enclosures.

GAZS1	150x200x120 (5.90x7.87x4.72)	1	1.900
--------------	---------------------------------	---	-------

General characteristics

- Painted sheet steel enclosures for GAZM...
- AISI 304 stainless steel enclosures for GAZS1
- Front door closing with screws for GAZM1, GAZM2 and GAZS1
- Front door closing with screws and hinges on the right side of the enclosures for GAZM3
- Drilled cover for handle assembly
- Factory mounted 35mm DIN rail on the base
- Ground terminal included
- Degree of protection: IP65
- Cable entry: smooth surfaces; can be drilled by customer
- For compatible components see pages 12-27 and 28.

Compliance

Compliant with standards: IEC/EN/BS 60947-1.

SWITCH DISCONNECTORS



COMPACT SIZE

The three-pole switch disconnectors are made up of a body with compact dimensions: 162mm/6.38" wide up to 315A, 203mm/7.99" from 320A to 500A, 231mm/9.09" for 630A, 284mm/11.18" from 630A to 800A and 314mm/12.36" for 1000A.

EASY INSTALLATION ON DIN RAIL

The switch disconnectors can be mounted on a DIN rail (for sizes from 160A to 315A) or on a plate by screw fixing.

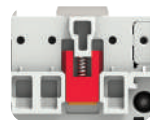
UL98 VERSION

Switch disconnectors are listed for USA and Canada, certified according to UL98/CSA C22.2 n° 4. General use current: 100-200-400-600-800A.



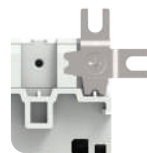
ANTI-SLIDE INSERT FOR DIN RAIL

For sizes from 160A to 315A there are two rubber pad inserts that prevent the sliding of the switch disconnectors on the DIN rail.



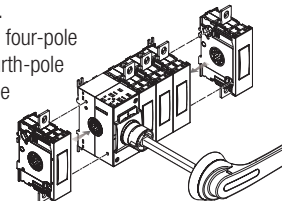
FLEXIBLE INSTALLATION ORIENTATION

Switch disconnectors can be installed in all directions. The clips for screw fixing can be adjusted both in rotation and position (flexible fixing).



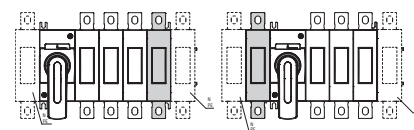
FOUR-POLE VERSION AVAILABLE

Switch disconnectors are supplied with three-pole configuration. To realise the four-pole version, a fourth-pole add-on can be purchased.



COMPONENT FLEXIBILITY

It is possible to mount the fourth pole, neutral and earth/ground terminals on both sides of the switch disconnectors using 2 screws.



MANUAL CHANGE OVER SWITCHES



COMPACT SIZE

Manual changeover switches are made up of a body with compact dimensions:
 - 185mm/7.28" wide for three-pole versions up to 315A, 237mm/9.33" from 320A to 500A, 263mm/10.35" for 630A, 340mm/13.39" from 631A to 800A and 370mm/14.67" for 1000A;
 - 220mm/8.66" wide for the four-pole versions up to 315A, 281mm/11.06" from 320A to 500A, 317mm/12.48" for 630A, 405mm/15.94" from 631A to 800A and 445mm/17.52" for 1000A.

EASY INSTALLATION

The manual changeover switches can be mounted on a plate by screws.

UL1008 VERSION

The manual changeover switches are listed for USA and Canada, certified according to UL1008/CSA C22.2 n° 178. General use current: 100-200-400A.



THREE AND FOUR-POLE VERSION

Manual changeover switches are already supplied assembled in three-pole and four-pole configuration.

MOTORISED CHANGE OVER SWITCHES

COMPACT SIZE

Motorised changeover switches are made up of a body with compact dimensions: 294mm/11.57" wide for three-pole versions and 328mm/12.91" wide for the four-pole versions.

FUNCTIONING LOGIC

Motor command is possible in 2 different ways:
 - Impulse logic: the changeover switch moves to a specific position after receiving an impulse on the command inputs I-O-II.
 - Contactor logic: the changeover switch moves to a specific position (I or II) and it remains in that position as long as the command is held. If the command I or II is removed, the switch returns to the position 0 (the auxiliary power supply must be available).

EXPANDABILITY

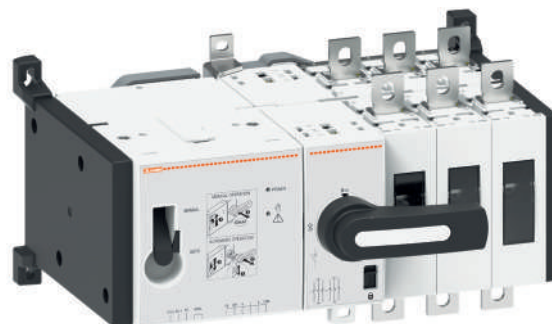
It is possible to add further additional relay outputs or a Modbus-RTU RS485 communication port by the means of the expansion slot integrated in the motorized changeover switch.

THREE AND FOUR-POLE VERSION

Motorised changeover switches are already supplied assembled in three-pole and four-pole configuration.

WIDE RANGE OF MOTOR SUPPLY VOLTAGE

3 motor supply voltages are available:
 - 24VDC (19.2...31.2VDC);
 - 110...125VAC/DC (77...165VAC/DC);
 - 208...277VAC (166...332VAC).



UL1008 VERSION

The motorised changeover switches are listed for USA and Canada, certified according to UL1008/CSA C22.2 n° 178. General use current: 100-200A.



● **WIDE RANGE OF ACCESSORIES**

A wide choice of auxiliary contacts, terminal covers, phase barriers, terminal clamps, bridging bars, shafts and handles are available to satisfy every installation need.

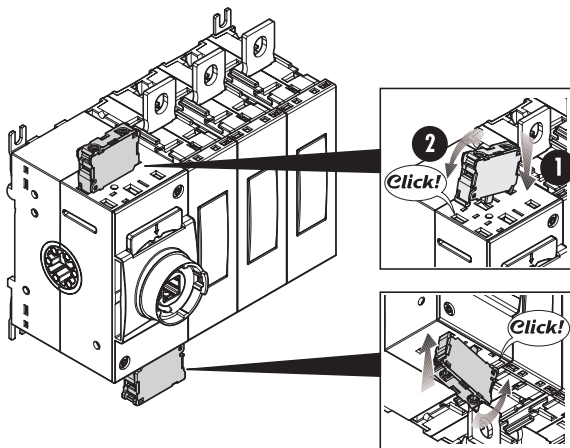


● **HIGH IEC ELECTRICAL CAPABILITY**

The rated currents in AC23A up to 1000A-415V and 800A-690V are the highest of the category.

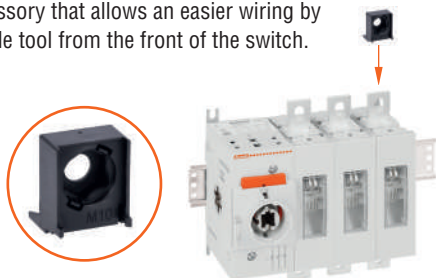
● **ADD-ON AUXILIARY CONTACTS**

The same add-on block is suitable for all the switch disconnectors and changeover switches. Contacts are mounted on main switching actuator (max 8 contacts for switch disconnectors; max 4 contacts for changeover switches).



● **CAPTIVE NUT**

It is an accessory that allows an easier wiring by using a single tool from the front of the switch.



● **VISIBLE CONTACTS: MAXIMUM SECURITY!**

Thanks to the window on the individual power poles the open or closed switch status is clearly visible at a distance.



● **UL508A DEFEATABLE HANDLE**

In compliance with UL508A standards, which require internal panel inspection by authorized personnel with power applied, pistol handles are available with defeatable feature of the door coupling when the switch disconnector or the changeover switch is closed, i.e. in ON position.

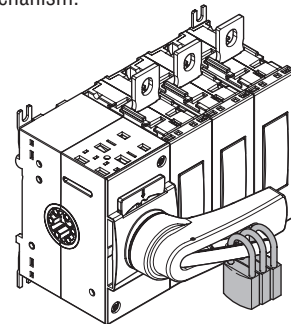
● **IP66, IP69K AND NEMA 4X HANDLES**

A wide range of screw fixing pistol grip handles are available with the maximum degree of protection on the market.



● **PADLOCKABLE HANDLES**

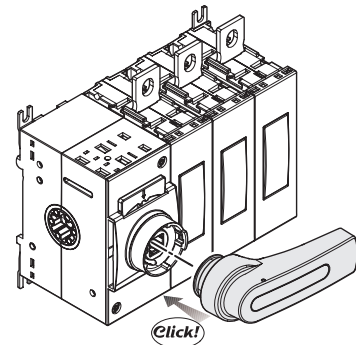
All direct and door coupling handles are equipped with integrated padlock mechanism.



● **HANDLES**

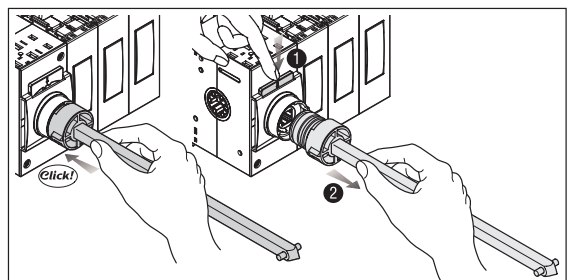
Switch disconnectors and changeover switches are standard supplied without any handles. By purchasing the direct operating handle separately it is possible to create a direct operating version. The handles can be mounted and removed very easily thanks to the snap-on assembly.

By purchasing a shaft extension and a door coupling handle separately it is possible to create the door coupling version.



● **SNAP-ON SHAFT MOUNTING**

Shafts can be mounted and removed very easily by snapping on the front of the switch. This feature allows fast installation and easy accessibility to the panel in case of maintenance.



14 Switch disconnectors

GL series 100A to 1000A

INDEX

Three-pole switch disconnectors IEC/EN/BS



GL0160C1...GL0315C1



GL0320C1...GL0500C1



GL0631C1...GL0800C1

new

Order code	IEC conventional free air thermal current Ith AC21A (≤690V)	IEC rated operational current Ie		Qty per pkg	Wt
		AC23A (≤415V)	AC23A (≤690V)		
	[A]	[A]	[A]	n°	[kg]

Supplied without handle.
Complete the switch disconnector by selecting shaft extension and handle for door coupling version or the handle for direct operating version.

GL0160C1	160	160	160	1	1.740
GL0200C1	200	200	200	1	1.740
GL0250C1	250	250	250	1	1.740
GL0315C1	315	315	250	1	1.740
GL0320C1	320	320	320	1	3.460
GL0400C1	400	400	400	1	3.460
GL0500C1	500	500	500	1	3.460
GL0630C1	630	630	500	1	3.780
GL0631C1	630	630	630	1	7.450
GL0800C1	800	800	800	1	7.450
GL1000C1	1000	1000	800	1	7.950

General characteristics

- 160 to 1000A AC23 versions
- 100A, 200A, 400A, 600A and 800A general purpose according to UL98
- Compact dimensions and add-on fourth-pole
- Screw or 35mm DIN rail fixing to 315A. Only on a plate from 320A to 1000A
- Possibility to adjust the position of the clips for screw fixing on plate
- Visible contacts
- Maximum number of power poles: 4.

Operational characteristics

- Rated insulation voltage Ui: 1,000V
- Rated impulse withstand Uimp: 12kV
- Mechanical life:
 - 20,000 cycles from 160A to 315A
 - 10,000 cycles from 320A to 630A
 - 5,000 cycles from 630A (GL0631...) to 1,000A.

Certifications and compliance

Certifications obtained: cULus according to UL98 / CSA C22.2 n°4 for GL...UL and GLX42...UL types.
Compliant with standards: IEC/EN/BS 60947-3, IEC/EN/BS 60947-1.

Three-pole switch disconnectors UL98

cULus



GL...C1UL

new

Order code	General purpose current	Max. 3-phase horsepower rating	Qty per pkg	Wt
	[A]	[HP/V]	n°	[kg]

Supplied without handle.
Complete the switch disconnector by selecting shaft extension and handle for door coupling version or the handle for direct operating version.

GL0100C1UL	100	30/240 75/480 100/600	1	1.900
GL0200C1UL	200	75/240 150/480 200/600	1	1.900
GL0400C1UL	400	125/240 250/480 350/600	1	3.780
GL0600C1UL	600	200/240 450/480 500/600	1	7.450
GL0800C1UL	800	250/240 500/480 500/600	1	7.950

14 Switch disconnectors

GL series 100A to 1000A

Add-on fourth pole IEC/EN/BS



GLX420315 GLX420500 GLX420630



GLX420631...800 GLX421000

new

Order code	IEC conventional free air thermal current Ith		Qty per pkg	Wt [kg]
	AC21A (≤690V)	AC23A (≤400V)		
	[A]	[A]	n°	[kg]

Simultaneous closing operation as switch disconnector poles. For switch disconnectors GL0160C1...GL0315C1 versions.

GLX420315	315	315	250	1	0.400
------------------	-----	-----	-----	---	-------

For switch disconnectors GL0320C1...GL0630C1 versions.

GLX420320	320	320	320	1	0.900
GLX420400	400	400	400	1	0.900
GLX420500	500	500	500	1	0.900
GLX420630	630	630	500	1	0.900

For switch disconnectors GL0631C1...GL1000C1 versions.

GLX420631	630	630	630	1	1.860
GLX420800	800	800	800	1	1.860
GLX421000	1000	1000	800	1	1.860

General characteristics

- 160 to 1000A AC23 versions
- 100A, 200A, 400A, 600A and 800A general purpose according to UL98
- Compact dimensions and add-on fourth-pole
- Visible contacts
- Maximum number of power poles: 4.

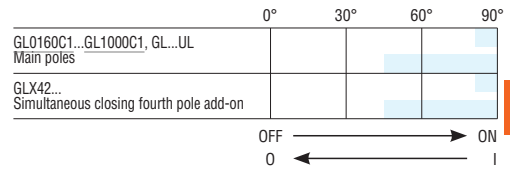
Operational characteristics

- Rated insulation voltage Ui: 1,000V
- Rated impulse withstand Uimp: 12kV
- Mechanical life:
 - 20,000 cycles from 160A to 315A
 - 10,000 cycles from 320A to 630A
 - 5,000 cycles from 630A (GL0631...) to 1,000A.

Certifications and compliance

Certifications obtained: cULus according to UL98 / CSA C22.2 n°4 for GL...UL and GLX42...UL types. Compliant with standards: IEC/EN/BS 60947-3, IEC/EN/BS 60947-1.

Strokes of GL poles (main poles and add-on pole)



Add-on fourth pole UL98

cULus



GLX420200UL GLX420400UL

new

Order code	General purpose current		Qty per pkg	Wt [kg]
	[A]	[HP/V]		
	[A] <td>[HP/V] <td>n°</td> <td>[kg]</td> </td>	[HP/V] <td>n°</td> <td>[kg]</td>	n°	[kg]

Simultaneous closing operation as switch disconnector poles. For switch disconnectors GL0100C1UL version.

GLX420100UL	100	30/240 75/480 100/600	1	0.410
--------------------	-----	-----------------------------	---	-------

For switch disconnectors GL0200C1UL version.

GLX420200UL	200	75/240 150/480 200/600	1	0.410
--------------------	-----	------------------------------	---	-------

For switch disconnectors GL0400C1UL version.

GLX420400UL	400	125/240 250/480 350/600	1	0.900
--------------------	-----	-------------------------------	---	-------

For switch disconnectors GL0600C1UL version.

GLX420600UL	600	200/240 450/480 500/600	1	1.860
--------------------	-----	-------------------------------	---	-------

For switch disconnectors GL0800C1UL version.

GLX420800UL	800	250/240 500/480 500/600	1	1.980
--------------------	-----	-------------------------------	---	-------

Manual three-pole changeover switches IEC/EN/BS



GLC0160C1...GLC0315C1

Order code	IEC conventional free air thermal current Ith AC21A (≤690V)	IEC rated operational current Ie		Qty per pkg	Wt [kg]
		AC33B (≤400V)	AC33B (≤690V)		
	[A]	[A]	[A]	n°	[kg]

Supplied without handle.

GLC0160C1	160	160	160	1	3.550
GLC0200C1	200	200	200	1	3.550
GLC0250C1	250	250	250	1	3.550
GLC0315C1	315	315	250	1	3.550
GLC0320C1	320	320	320	1	7.060
GLC0400C1	400	400	400	1	7.060
GLC0500C1	500	500	500	1	7.060
GLC0630C1	630	630	500	1	7.720
GLC0631C1	630	630	630	1	16.500
GLC0800C1	800	800	800	1	16.500
GLC1000C1	1000	1000	800	1	18.000

new

Manual four-pole changeover switches IEC/EN/BS



GLC0160T4C1...GLC0315T4C1

Order code	IEC conventional free air thermal current Ith AC21A (≤690V)	IEC rated operational current Ie		Qty per pkg	Wt [kg]
		AC33B (≤400V)	AC33B (≤690V)		
	[A]	[A]	[A]	n°	[kg]

Supplied without handle.

GLC0160T4C1	160	160	160	1	4.330
GLC0200T4C1	200	200	200	1	4.330
GLC0250T4C1	250	250	250	1	4.330
GLC0315T4C1	315	315	250	1	4.330
GLC0320T4C1	320	320	320	1	8.810
GLC0400T4C1	400	400	400	1	8.810
GLC0500T4C1	500	500	500	1	8.810
GLC0630T4C1	630	630	500	1	9.460
GLC0631T4C1	630	630	630	1	18.600
GLC0800T4C1	800	800	800	1	18.600
GLC1000T4C1	1000	1000	800	1	17.800

new

General characteristics

- 160 to 1000A AC33 versions
- Screw fixing on plate
- Visible contacts.

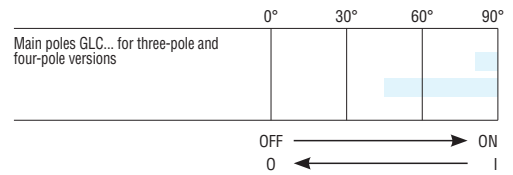
Operational characteristics

- Rated insulation voltage Ui: 1,000V
- Rated impulse withstand Uimp: 12kV
- Mechanical life:
 - 20,000 cycles from 160A to 315A
 - 10,000 cycles from 320A to 630A
 - 5,000 cycles from 630A (GLC0631...) to 1000A

Certifications and compliance

Compliant with standards: IEC/EN/BS 60947-6-1, IEC/EN/BS 60947-3.

Strokes of GLC... poles



Manual three-pole changeover switches UL1008

cULus



GLC0200C1UL

Manual four-pole changeover switches UL1008

cULus



GLC0200T4C1UL

Order code	General purpose current	Max. 3-phase horsepower rating	Qty per pkg	Wt
	[A]	[HP/V]	n°	[kg]

Supplied without handle.

GLC0100C1UL	100	30/240 75/480 100/600	1	3.800
GLC0200C1UL	200	75/240 150/480 200/600	1	3.800
GLC0400C1UL	400	125/240 250/480 350/600	1	7.560

Order code	General purpose current	Max. 3-phase horsepower rating	Qty per pkg	Wt
	[A]	[HP/V]	n°	[kg]

Supplied without handle.

GLC0100T4C1UL	100	30/240 75/480 100/600	1	4.590
GLC0200T4C1UL	200	75/240 150/480 200/600	1	4.590
GLC0400T4C1UL	400	125/240 250/480 350/600	1	7.680

General characteristics

- 100A, 200A and 400A general purpose according to UL1008
- Screw fixing on plate
- Visible contacts.

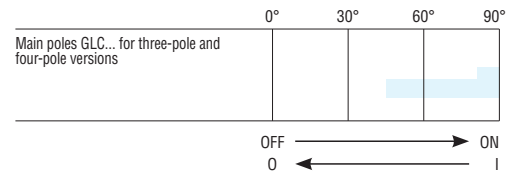
Operational characteristics

- Rated insulation voltage U_i : 1,000V
- Rated impulse withstand U_{imp} : 12kV

Certifications and compliance

Certifications obtained: cULus according to standard UL1008. Compliant with standards: IEC/EN 60947-6-1, IEC/EN 60947-3.

Strokes of GLC... poles



Motorised three-pole changeover switches IEC/EN/BS



GLCM0160C1...GLCM0315C1

new

Order code	IEC conventional free air thermal current Ith AC21A (≤690V)	IEC rated operational current Ie		Qty per pkg	Wt [kg]
		AC33B (≤400V)	AC33B (≤690V)		
	[A]	[A]	[A]	n°	[kg]
Rated motor auxiliary supply voltage 24VDC.					
GLCMB0125D024	125	125	125	1	6.350
GLCMB0160D024	160	160	160	1	6.350
GLCMB0200D024	200	200	200	1	6.350
GLCMB0250D024	250	250	250	1	6.350
GLCMB0315D024	315	315	250	1	6.350
Rated motor auxiliary supply voltage 110...125VAC/DC.					
GLCMB0125E110	125	125	125	1	6.350
GLCMB0160E110	160	160	160	1	6.350
GLCMB0200E110	200	200	200	1	6.350
GLCMB0250E110	250	250	250	1	6.350
GLCMB0315E110	315	315	250	1	6.350
Rated motor auxiliary supply voltage 208...277VAC.					
GLCMB0125A230	125	125	125	1	6.350
GLCMB0160A230	160	160	160	1	6.350
GLCMB0200A230	200	200	200	1	6.350
GLCMB0250A230	250	250	250	1	6.350
GLCMB0315A230	315	315	250	1	6.350

Motorised four-pole changeover switches IEC/EN/BS



GLCM0160T4C1...GLCM0315T4C1

new

Order code	IEC conventional free air thermal current Ith AC21A (≤690V)	IEC rated operational current Ie		Qty per pkg	Wt [kg]
		AC33B (≤400V)	AC33B (≤690V)		
	[A]	[A]	[A]	n°	[kg]
Rated motor auxiliary supply voltage 24VDC.					
GLCMB0125T4D024	125	125	125	1	7.130
GLCMB0160T4D024	160	160	160	1	7.130
GLCMB0200T4D024	200	200	200	1	7.130
GLCMB0250T4D024	250	250	250	1	7.130
GLCMB0315T4D024	315	315	250	1	7.130
Rated motor auxiliary supply voltage 110...125VAC/DC.					
GLCMB0125T4E110	125	125	125	1	7.130
GLCMB0160T4E110	160	160	160	1	7.130
GLCMB0200T4E110	200	200	200	1	7.130
GLCMB0250T4E110	250	250	250	1	7.130
GLCMB0315T4E110	315	315	250	1	7.130
Rated motor auxiliary supply voltage 208...277VAC.					
GLCMB0125T4A230	125	125	125	1	7.130
GLCMB0160T4A230	160	160	160	1	7.130
GLCMB0200T4A230	200	200	200	1	7.130
GLCMB0250T4A230	250	250	250	1	7.130
GLCMB0315T4A230	315	315	250	1	7.130

Order code	Description
EXPANSION MODULES	
Outputs.	
EXP1003	2C/O relay outputs 5A 250VAC
EXP1006	2NO relay outputs 5A 250VAC
Communication port.	
EXP1012	Opto-isolated RS485 interface



EXP10...

General characteristics

- 125 to 315A AC33 versions
- Screw fixing on plate
- Visible contacts
- Open transition (I – 0 – II positions)
- Electrically or manually operated
- Direct handle for manual operation supplied as standard, padlockable to prevent electrical operations
- Terminal blocks with removable screws fixing for power supply and switch control to ensure connection stability
- Expandable with EXP... expansion modules:
 - EXP1003: 2C/O relay outputs 5A 250VAC
 - EXP1006: 2NO relay outputs 5A 250VAC
 - EXP1012: RS485 communication port, Modbus-RTU.

EXP series expansion modules

See section 35.

Operational characteristics

- Rated insulation voltage Ui: 1,000V
- Rated impulse withstand Uimp: 12kV
- Mechanical life: 20,000 cycles.

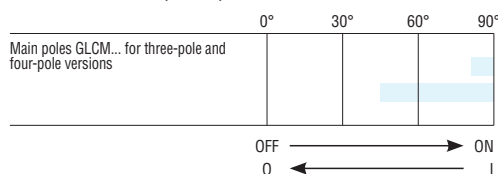
Rated motor auxiliary supply voltage

- 24VDC (19.2...31.2VDC) for GLCM...D024:
- 110...125VAC/DC (77...165VAC/DC) for GLCM...E110;
- 208...277VAC (166...332VAC) for GLCM...A230.

Certifications and compliance

Compliant with standards: IEC/EN/BS 60947-6-1, IEC/EN/BS 60947-3.

Strokes of GLCM... power poles



Motorised three-pole changeover switches UL1008

cULus



new



GLCM0200C1UL

Order code	General purpose current [A]	Max. 3-phase horsepower rating [HP/V]	Qty per pkg n°	Wt [kg]
Rated motor auxiliary supply voltage 24VDC.				
GLCMB0100D024UL	100	30/240 75/480 100/600	1	6.600
GLCMB0200D024UL	200	75/240 150/480 200/600	1	6.600
Rated motor auxiliary supply voltage 110...125VAC/DC.				
GLCMB0100E110UL	100	30/240 75/480 100/600	1	6.600
GLCMB0200E110UL	200	75/240 150/480 200/600	1	6.600
Rated motor auxiliary supply voltage 208...277VAC.				
GLCMB0100A230UL	100	30/240 75/480 100/600	1	6.600
GLCMB0200A230UL	200	75/240 150/480 200/600	1	6.600

General characteristics

- 100A and 200A general purpose according to UL1008
- Screw fixing on plate
- Visible contacts
- Open transition (I - 0 - II positions)
- Electrically or manually operated
- Direct handle for manual operation supplied as standard, padlockable to prevent electrical operations
- Terminal blocks with removable screws fixing for power supply and switch control to ensure connection stability
- Expandable with EXP... expansion modules:
 - EXP1003: 2C/O relay outputs 5A 250VAC
 - EXP1006: 2NO relay outputs 5A 250VAC
 - EXP1012: RS485 communication port, Modbus-RTU.

EXP series expansion modules

See section 35.

Operational characteristics

- Rated insulation voltage U_i : 1,000V
- Rated impulse withstand U_{imp} : 12kV
- Mechanical life: 20,000 cycles.

Rated motor auxiliary supply voltage

- 24VDC (19.2...31.2VDC) for GLCM...D024:
- 110...125VAC/DC (77...165VAC/DC) for GLCM...E110;
- 208...277VAC (166...332VAC) for GLCM...A230.

Certifications and compliance

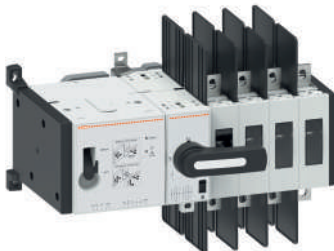
Certifications obtained: cULus according to standard UL1008. Compliant with standards: IEC/EN 60947-6-1, IEC/EN 60947-3.

Motorised four-pole changeover switches UL1008

cULus



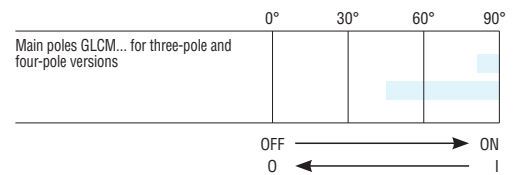
new



GLCM0200T4C1UL

Order code	General purpose current [A]	Max. 3-phase horsepower rating [HP/V]	Qty per pkg n°	Wt [kg]
Rated motor auxiliary supply voltage 24VDC.				
GLCMB0100T4D024UL	100	30/240 75/480 100/600	1	7.390
GLCMB0200T4D024UL	200	75/240 150/480 200/600	1	7.390
Rated motor auxiliary supply voltage 110...125VAC/DC.				
GLCMB0100T4E110UL	100	30/240 75/480 100/600	1	7.390
GLCMB0200T4E110UL	200	75/240 150/480 200/600	1	7.390
Rated motor auxiliary supply voltage 208...277VAC.				
GLCMB0100T4A230UL	100	30/240 75/480 100/600	1	7.390
GLCMB0200T4A230UL	200	75/240 150/480 200/600	1	7.390

Strokes of GLCM... power poles



Order code	Description
EXPANSION MODULES	
Outputs.	
EXP1003	2C/O relay outputs 5A 250VAC
EXP1006	2NO relay outputs 5A 250VAC
Communication port.	
EXP1012	Opto-isolated RS485 interface



EXP10...

14 Switch disconnectors

GL series 100A to 1000A.
Add-on blocks and accessories

Add-on blocks



GLX1010EA GLX1001



GLX300 GLX301

new

new



GLX8...



GLDX800

new



GLX9...

new



GLDX9...

new

Order code	Characteristics	Qty per pkg	Wt
		n°	[kg]

Order code	Characteristics	Qty per pkg	Wt
		n°	[kg]
Auxiliary contacts.			
GLX1001	1NC with screw terminals	1	0.100
GLX1010EA	1EB with screw terminals	1	0.100
Neutral terminal.			
GLX300	For GL0100...GL0315	1	0.340
GLX302	For GL0320...GL0630	1	0.680
GLX304	For GL0600C1UL and GL0631...GL0800	1	1.860
GLX306	For GL0800C1UL and GL1000	1	1.980
Earth/ground terminal.			
GLX301	For GL0100...GL0315	1	0.340
GLX303	For GL0320...GL0630	1	0.680
GLX305	For GL0600C1UL and GL0631...GL0800	1	1.860
GLX307	For GL0800C1UL and GL1000	1	1.980
One-pole terminal covers.			
GLX800	3-piece set. 3 terminals protections. For GL0100...GL0315, GLC0100...GLC0315 and GLCMB0125...GLCMB0315	1	0.060
GLX801	4-piece set. 4 terminals protections. For GL0100...GL0315, GLC0100...GLC0315, GLCMB0125...GLCMB0315 and GLD...	1	0.080
GLX802	3-piece set. 3 terminals protections. For GL0320...GL0630 and GLC0320...GLC0630	1	0.070
GLX803	4-piece set. 4 terminals protections. For GL0320...GL0630 and GLC0320...GLC0630	1	0.095
GLX804	3-piece set. 3 terminals protections. For GL0600...GL0800C1UL, GL0631...GL1000 and GLC0631...GLC1000	1	0.085
GLX805	4-piece set. 4 terminals protections. For GL0600...GL0800C1UL, GL0631...GL1000 and GLC0631...GLC1000	1	0.115
Two-pole terminal covers.			
GLDX800	2-piece set. 4 terminals protections with series connections. For GLD...T4...	1	0.060
One-pole phase barrier (needed for voltages > 500VAC).			
GLX900	6-piece set. For GL0100...GL0315, GLC0100...GLC0315 and GLCMB0125...GLCMB0315	1	0.070
GLX901	8-piece set. For GL0100...GL0315, GLC0100...GLC0315 and GLCMB0125...GLCMB0315	1	0.090
GLX902	6-piece set. For GL0320...GL0500 and GLC0320...GLC0500	1	0.011
GLX903	8-piece set. For GL0320...GL0500 and GLC0320...GLC0500	1	0.011
GLX904	6-piece set. For GL0600C1UL, GL0631...GL0800 and GLC0631...GLC0800	1	0.160
GLX905	8-piece set. For GL0600C1UL, GL0631...GL0800 and GLC0631...GLC0800	1	0.210
GLDX900	2-piece set. For GLD...T4C3	1	0.052
GLDX901	2-piece set. For GLD...T4C3UL	1	0.052

① Phase barriers standard supplied for GLD...T4C3UL. They provide increased protection than GLX900 and GLX901. They can be used also together with GL0100...GL0315.

Operational characteristics of auxiliary contacts GLX10...

- Conventional free air thermal current I_{th}: 10A
- Rated insulation voltage: 690V
- Conductivity: 5V, 1mA
- UL/CSA and IEC/EN/BS 60947-5-1 designation: A600 Q600
- Tightening torque: 0.8Nm/7.1lb.in
- Maximum 8 contacts (2 for slot) for GL0160...GL1000 switch disconnectors
- Maximum 4 contacts for position (1 for slot) for GLC...and GLCM... changeover switches
- Snap-on assembly without the use of tools.

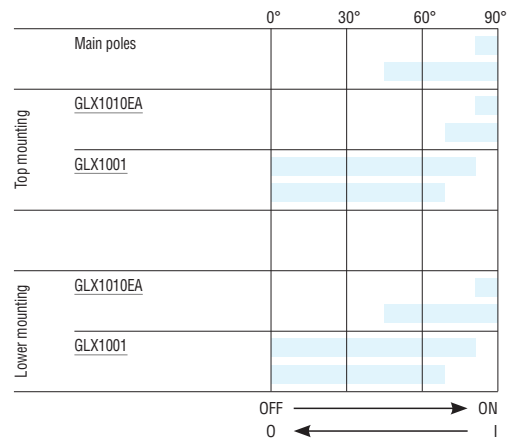
Operational characteristics of neutral and earth/ground terminals GLX3...

- Add-on only on GL0160...GL1000 switch disconnectors
- Tightening torque for GLX300 and GLX301: 15...22Nm/132.7...194.7lb.in
- Tightening torque for GLX302 and GLX303: 30...37Nm/265...327lb.in
- Tightening torque for GLX304, GLX305, GLX306, GLX307: 50...75Nm/442...664lb.in

Operational characteristics for terminal covers and phase barriers GLX8..., GLX9...

- Snap-on mounting.

Strokes of switch disconnectors GL... poles



14 Switch disconnectors

GL series 100A to 1000A.
Add-on blocks and accessories

Add-on blocks



GLX500 - GLX501



GLX502 - GLX503



GLX504 - GLX505



GLDX501



GLX55...



GLXV...



GLXHS1

new

new

new

new

Order code	Characteristics	Qty per pkg	Wt
		n°	[kg]
Terminal clamp sets for rigid and flexible cables.			
GLX500	1-piece set. 1 terminal connection for single cable. For GL0100...GL0315, GLC0100...GLC0315, GLCMB0125...GLCMB0315 and GLD...	1	0.050
GLX501	3-piece set. 3 terminals connection for single cable. For GL0100...GL0315, GLC0100...GLC0315, GLCMB0125...GLCMB0315 and GLD...	1	0.140
GLX502	1-piece set. 1 terminal connection for single cable. For GL0320...GL0630 and GLC0320...GLC0630	1	0.100
GLX503	3-piece set. 3 terminals connection for single cable. For GL0320...GL0630 and GLC0320...GLC0630	1	0.280
GLX504	1-piece set. 1 terminal connection for double cables. For GL0320...GL0630 and GLC0320...GLC0630	1	0.110
GLX505	3-piece set. 3 terminals connection for double cables. For GL0320...GL0630 and GLC0320...GLC0630	1	0.310
GLX506	1-piece set. 1 terminal connection for four cables. For GL0600...GL0800C1UL, GL0631...GL1000 and GLC0631...GLC1000	1	0.200
GLX507	3-piece set. 3 terminal connection for four cables. For GL0600...GL0800C1UL, GL0631...GL1000 and GLC0631...GLC1000	1	0.600
GLDX501	4-piece set. 4 terminal connection for four cables. For GLD...UL, GL0100...GL0315, GLC0100...GLC0315 and GLCMB0125...GLCMB0315	1	0.600
Captive nuts.			
GLX550	8-piece set. For GL0100...GL0315, GLC0100...GLC0315 and GLCMB0125...GLCMB0315	1	0.010
GLX551	8-piece set. For GL0320...GL0630 for GLC0320...GLC0630	1	0.010
GLX552	8-piece set. For GL0600C1UL, GL0631...GL0800 and GLC0631...GLC0800	1	0.015
GLX553	8-piece set. For GL0800C1UL, GL1000 and GLC1000	1	0.015
GLDX550	4-piece set. For GLD..., GL0100...GL0315, GLC0100...GLC0315 and GLCMB0125...GLCMB0315	1	0.015
Voltage sensing connectors.			
GLXVS00	6-piece set. For GLD..., GL0100...GL0315, GLC0100...GLC0315 and GLCMB0125...GLCMB0315	1	0.030
GLXVS00	8-piece set. For GLD..., GL0100...GL0315, GLC0100...GLC0315 and GLCMB0125...GLCMB0315	1	0.040
Direct operating handle holder for motorised changeover switches GLCM...			
GLXHS1	For GLX61DB handle	1	0.018

Operational characteristics for terminal clamps

GLX500-GLX501

- Maximum conductor cross section: 120mm²/250kcmil
- Minimum conductor cross section: 16mm²/6AWG
- Tightening torque: 35Nm/309.7lb.in.

GLX502-GLX503

- Maximum conductor cross section: 304mm²/600kcmil
- Minimum conductor cross section: 33.6mm²/2AWG
- Tightening torque: 42.4Nm/375lb.in.

GLX504-GLX505

- Maximum conductor cross section: 2x152mm²/2x300kcmil
- Minimum conductor cross section: 2x21.2mm²/2x4AWG
- Tightening torque: 22.6Nm/200lb.in.

GLX506-GLX507

- Maximum conductor cross section: 2x304mm²/2x600kcmil
- Minimum conductor cross section: 2x33.6mm²/2x2AWG
- Tightening torque: 22.6Nm/200lb.in.

GLDX501

- Maximum conductor cross section: 152mm²/300kcmil
- Minimum conductor cross section: 16mm²/6AWG
- Tightening torque: 42.4Nm/375lb.in.

Certifications and compliance

Certifications obtained: cULus
Compliant with standards: IEC/EN/BS 60947-1, IEC/EN/BS 60947-3.

14 Switch disconnectors

GL series 100A to 1000A.
Add-on blocks and accessories

INDEX

Bridging bars



GLX2...



GLDX201

new

Order code	Characteristics	Qty per pkg	Wt
		n°	[kg]

One-pole bridging bars for changeover parallel connection.

GLX201	3-piece set. Connection 3 poles. For GLC0100...GLC0315 and GLCMB0125...GLCMB0315	1	0.180
GLX202	4-piece set. Connection 4 poles. For GLC0100...GLC0315 and GLCMB0125...GLCMB0315	1	0.200
GLX206	3-piece set. Connection 3 poles. For GLC0320...GLC0630	1	0.190
GLX207	4-piece set. Connection 4 poles. For GLC0320...GLC0630	1	0.255
GLX208	3-piece set. Connection 3 poles. For Per GLC0631...GLC1000	1	0.850
GLX209	4-piece set. Connection 4 poles. For GLC0631...GLC1000	1	0.850

2-pole bridging bar for switch disconnectors for photovoltaic applications series connection.

GLDX201 ⓘ	2-piece set. Connection 2 poles. For GLD...T4...	1	0.120
------------------	--	---	-------

ⓘ Bridging bar standard supplied with GLD...T4...

Spare motor operator



GLXM1...

new

Order code	Characteristics	Qty per pkg	Wt
		n°	[kg]

Spare motor operator for motorised changeover switches.

GLXM1D024	For GLCM...D024	1	2.800
GLXM1E110	For GLCM...E110	1	2.800
GLXM1A230	For GLCM...A230	1	2.800

Communication device



CX01

Order code	Characteristics	Qty per pkg	Wt
		n°	[kg]
CX01	USB connection device PC ↔ GLCM with optical connector for programming, data download, diagnostics and firmware upgrade	1	0.090

General characteristics

For general characteristics of this accessory see section 35.

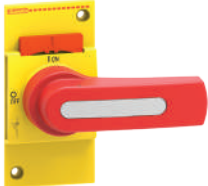
14 Switch disconnectors

GL series 100A to 1000A.
Add-on blocks and accessories

Handles and shafts



GLX61DB



GLX61D



GLX62DB



GLX61



GLX61B



GLX61CB



GLX00



GLX7...

new

new

new

new

Order code	Characteristics	Qty per pkg	Wt
		n°	[kg]
Direct operating handles.			
GLX61DB	For GL0100...GL0315, GLC0100...GLC0315 and GLD... Black	1	0.075
GLX61D	For GL0100...GL0315 and GLD... Red/yellow	1	0.095
GLX62DB	For GL0320...GL0630 and GLC0320...GLC0630. Black	1	0.140
GLX62D	For GL0320...GL0630. Red/yellow	1	0.170
GLX63DB	For GL0600...GL0800C1UL, GL0631...GL1000 and GLC0631...GLC1000. Black	1	0.210
GLX63D	For GL0600...GL0800C1UL and GL0631...GL1000. Red/yellow	1	0.260
Door coupling handles for switch disconnectors.			
GLX61	For GL0100...GL0315 and GLD... Screw fixing. 125mm/4.92" lever length pistol handle - defeatable (req. UL508A). Red/yellow. □10mm/0.39"	1	0.220
GLX61B	For GL0100...GL0315 and GLD... Screw fixing. 125mm/4.92" lever length pistol handle - defeatable (req. UL508A). Black. □10mm/0.39"	1	0.220
GLX62	For GL0320...GL0630. Screw fixing. 175mm/6.89" lever length pistol handle - defeatable (req. UL508A). Red/yellow. □10mm/0.39"	1	0.240
GLX62B	For GL0320...GL0630. Screw fixing. 175mm/6.89" lever length pistol handle - defeatable (req. UL508A). Black. □10mm/0.39"	1	0.240
GLX63	For GL0600...GL0800C1UL and GL0631...GL1000. Screw fixing. 175mm/6.89" lever length pistol handle - defeatable (req. UL508A). Red/yellow. □12mm/0.47"	1	0.310
GLX63B	For GL0600...GL0800C1UL and GL0631...GL1000. Screw fixing. 175mm/6.89" lever length pistol handle - defeatable (req. UL508A). Black. □12mm/0.47"	1	0.310
Door coupling handles for changeover switches.			
GLX61CB	For GLC0100...GLC0315. Screw fixing. 125mm/4.92" lever length pistol handle - defeatable (req. UL508A). Black. □10mm/0.39"	1	0.215
GLX62CB	For GLC0320...GLC0630. Screw fixing. 175mm/6.89" lever length pistol handle - defeatable (req. UL508A). Black. □10mm/0.39"	1	0.240
GLX63CB	For GLC0631...GLC1000. Screw fixing. defeatable, 175mm/6.89" - with release (req. UL508A). Black. □12mm/0.47"	1	0.310
Accessories for door coupling handles.			
GLX00	Shaft alignment ring	1	0.040
Shaft extensions for door coupling handles GLX61, GLX61B, GLX61CB, GLX62, GLX62B, GLX62CB, GLX63, GLX63B, GLX63CB			
GLX7150S10	150mm/5.90", □10mm/0.39"	1	0.150
GLX7200S10	200mm/7.87", □10mm/0.39"	1	0.190
GLX7300S10	300mm/11.81", □10mm/0.39"	1	0.270
GLX7400S10	400mm/15.75", □10mm/0.39"	1	0.350
GLX7500S10	500mm/19.68", □10mm/0.39"	1	0.430
GLX7150S12	150mm/5.90", □12mm/0.47"	1	0.180
GLX7200S12	200mm/7.87", □12mm/0.47"	1	0.240
GLX7300S12	300mm/11.81", □12mm/0.47"	1	0.360
GLX7400S12	400mm/15.75", □12mm/0.47"	1	0.480
GLX7500S12	500mm/19.68", □12mm/0.47"	1	0.600

Operational characteristics for direct operating handles

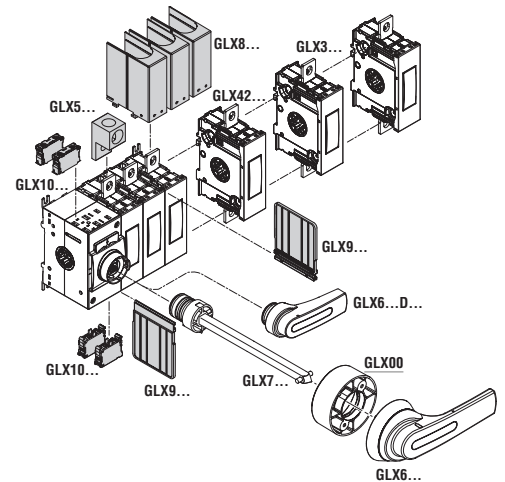
- Snap-on mounting on switch disconnectors and changeover switches
- 1 to 3 padlocks in the Ø4...6mm/0.16...0.24".
- standard supplied with GLCM...

Operational characteristics for door coupling handles

- Handle fixing centres: 28x40mm/1.10x1.57"
- 1 to 3 padlocks in the Ø4...8mm/0.16...0.31"
- Tightening torque: 1.5Nm/13.3lb.in
- Degree of protection:
 - Per IEC/EN: IP66 and IP69K
 - Per UL: Type 1, 2, 3R, 12, 12K, 4, 4X external use.

Certifications and compliance

Certifications obtained: cULus.
Compliant with standards: IEC/EN 60947-1, IEC/EN 60947-3.



14 Switch disconnectors

GL series 100A to 1000A.
In metal enclosure

Switch disconnectors in metal enclosure IEC/EN/BS IP65



GLZM0160...GLZM315...



GLZM0160...B...GLZM315...B

Order	IEC conventional thermal current I _{th} AC21A (≤690V)	IEC rated operational current I _e AC23A (≤400V)	Qty per pkg	Wt [kg]
	[A]	[A]	n°	[kg]

THREE-POLE.
With red/yellow handle.

GLZM0160	160	160	1	9.750
GLZM0200	200	200	1	9.750
GLZM0250	250	250	1	9.750
GLZM0315	315	315	1	9.750

THREE-POLE.
With black handle.

GLZM0160B	160	160	1	9.750
GLZM0200B	200	200	1	9.750
GLZM0250B	250	250	1	9.750
GLZM0315B	315	315	1	9.750

FOUR-POLE.
With red/yellow handle.

GLZM0160T4	160	160	1	9.950
GLZM0200T4	200	200	1	9.950
GLZM0250T4	250	250	1	9.950
GLZM0315T4	315	315	1	9.950

FOUR-POLE.
With black handle.

GLZM0160T4B	160	160	1	9.950
GLZM0200T4B	200	200	1	9.950
GLZM0250T4B	250	250	1	9.950
GLZM0315T4B	315	315	1	9.950

Components ①

Enclosure	Switch disconnector	Handle
-----------	---------------------	--------

GLZM1	GL0160C1	GLX61
GLZM1	GL0200C1	GLX61
GLZM1	GL0250C1	GLX61
GLZM1	GL0315C1	GLX61

GLZM1	GL0160C1	GLX61B
GLZM1	GL0200C1	GLX61B
GLZM1	GL0250C1	GLX61B
GLZM1	GL0315C1	GLX61B

Enclosure	Switch disconnector	4th pole	Handle
GLZM1	GL0160C1	GLX420315	GLX61
GLZM1	GL0200C1	GLX420315	GLX61
GLZM1	GL0250C1	GLX420315	GLX61
GLZM1	GL0315C1	GLX420315	GLX61

GLZM1	GL0160C1	GLX420315	GLX61B
GLZM1	GL0200C1	GLX420315	GLX61B
GLZM1	GL0250C1	GLX420315	GLX61B
GLZM1	GL0315C1	GLX420315	GLX61B

① Extension shaft GLX7200S10 has to be added. Metal rod included has to be cut at 185mm/7.28" of total length.

General characteristics

- Enclosure material: painted sheet steel
- Padlockable handle
- Front door closing with screws and hinges on the right side of the enclosure
- Degree of protection: IP65
- Cable entry: smooth surfaces; can be drilled by customer.

Certifications and compliance

Compliant with standards: IEC/EN/BS 60947-3, IEC/EN/BS 60947-1.

14 Switch disconnectors

GL series 100A to 1000A.
In metal enclosure

Manual changeover switches in metal enclosure IEC/EN/BS IP65



GLZM0160ET...GLZM0315ET...

Order code	IEC conventional thermal current Ith	IEC rated operational current Ie		Qty per pkg	Wt [kg]
	AC21A (≤690V)	AC33B (≤400V)	AC33B (≤500V)		
	[A]	[A]	[A]	n°	

3-pole line changeover switches I-O-II. Black handle.

GLZM0160ET6	160	160	160	1	11.780
GLZM0200ET6	200	200	200	1	11.780
GLZM0250ET6	250	250	250	1	11.780
GLZM0315ET6	315	315	250	1	11.780

4-pole line changeover switches I-O-II. Black handle.

GLZM0160ET8	160	160	160	1	12.180
GLZM0200ET8	200	200	200	1	12.180
GLZM0250ET8	250	250	250	1	12.180
GLZM0315ET8	315	315	250	1	12.180

Components ①

Enclosure	Changeover switch	Handle

GLZM1	GLC0160C1	GLX61CB
GLZM1	GLC0200C1	GLX61CB
GLZM1	GLC0250C1	GLX61CB
GLZM1	GLC0315C1	GLX61CB

Enclosure	Changeover switches	Handle
GLZM1	GLC0160T4C1	GLX61CB
GLZM1	GLC0200T4C1	GLX61CB
GLZM1	GLC0250T4C1	GLX61CB
GLZM1	GLC0315T4C1	GLX61CB

① Extension shaft GLX7150S10 has to be added. Metal rod included has to be cut at 92mm/3.62" of total length.

General characteristics

- Enclosure material: painted sheet steel
- Padlockable handle
- Front door closing with screws and hinges on the right side of the enclosure
- Degree of protection: IP65
- Cable entry: smooth surfaces; can be drilled by customer.

Certifications and compliance

Compliant with standards: IEC/EN/BS 60947-6-1, IEC/EN/BS 60947-1.

Empty metal enclosures IEC/EN/BS IP65



GLZM1

Order code	Enclosure dimensions	Qty per pkg	Wt [kg]
	[mm (in)]	n°	

For switch disconnectors and changeover switches
Painted sheet steel enclosures.

GLZM1	300x400x250 (11.8x15.75x9.84)	1	5.700
--------------	----------------------------------	---	-------

General characteristics

- Painted sheet steel enclosures
- Front door closing with screws and hinges on the right side of the enclosures
- Drilled cover for handle assembly
- Ground terminal included
- Degree of protection: IP65
- Cable entry: smooth surfaces; can be drilled by customer.

Compliance

Compliant with standards: IEC/EN/BS 60947-1.

Three-pole switch disconnectors IEC/EN/BS



GE...

Order code	IEC conventional free air thermal current I _{th} AC21A (≤500V)	IEC rated operational current I _e		Qty per pkg	Wt [kg]
		AC23A (≤400V)	AC23A (≤500V)		
	[A]	[A]	[A]	n°	[kg]

Separately purchase the handle and shaft extension ❶.

GE0160P ❷	160	160	125	1	0.850
GE0160	160	160	125	1	0.850
GE0200	200	160	125	1	0.900
GE0250	250❸	160	125	1	0.900
GE0251	250	250	200	1	1.700
GE0315	315	315	250	1	1.700
GE0400	400	400	315	1	1.900
GE0500	500	500	400	1	4.200
GE0630	630	630	500	1	4.200
GE0800	800	800	500	1	4.200
GE1000	1000	1000	800	1	7.000
GE1250	1250	1000	800	1	7.600
GE1600	1600	1000	900	1	20.800

General characteristics

- 50A to 1600A
- Available versions: direct operating and door coupling
- Screw fixing: 35mm DIN rail mount adapter kit for GE0160P on page 14-47
- Padlockable in 0 position with no extra accessory.

Operational characteristics

- IEC rated insulation voltage U_i: 1000V
- Mechanical life:
 - 30,000 cycles for GE0160...GE0250, GE0160P
 - 20,000 cycles for GE0251...GE0400
 - 10,000 cycles for GE0500...GE1600, GEF0050...GEF0100..., GE0400N
 - 8,000 cycles for GEF0125...GEF0250...
 - 5,000 cycles for GE0630N and GE0800N.

Certifications and compliance

Certifications obtained: EAC.
Compliant with standards: IEC/EN/BS 60947-1, IEC/EN/BS 60947-3.

Three-pole switch disconnectors with fuse holder IEC/EN/BS



GEF... F - GEF...N

new

Order code	IEC conventional free air thermal current I _{th} AC21A (≤500V)	IEC rated operational current I _e		Qty per pkg	Wt [kg]
		AC23A (≤400V)	AC23A (≤500V)		
	[A]	[A]	[A]	n°	[kg]

With NFC fuse holder.

Separately purchase the handle and shaft extension ❶❷.

GEF0050F	50	50	50	1	0.850
GEF0100F	100	80	63	1	1.000
GEF0125F	125	125	125	1	1.300

With NH fuse holder.

Separately purchase the handle and shaft extension ❶❷.

GEF0063N	63	63	50	1	0.850
GEF0100N	100	80	63	1	1.000
GEF0125N	125	125	125	1	1.300
GEF0160N	160	160❸	125	1	1.300
GEF0250N	250	250	200	1	3.400
GE0400N	400	400	400	1	6.600
GE0630N	630	630	630	1	13.000
GE0800N	800	630	630	1	13.000

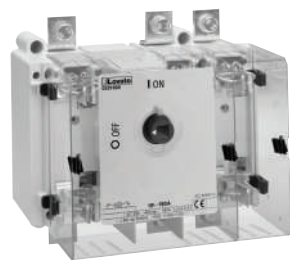
❶ To select the right handle refer to the summary table of combinations at page 14-50. Extension shafts of direct operating handles are standard supplied.

❷ See table on page 14-50 for the types of fuses.

❸ Standard supplied with IEC IP20 terminal protection.

❹ 250A I_{th}; 200A AC21A ≤500V.

❺ 160A AC23B ≤415V.



GE...N

Four-pole switch disconnectors IEC/EN/BS



GE...T4...

Order code	IEC conventional free air thermal current Ith AC21A (≤500V)	IEC rated operational current Ie		Qty per pkg	Wt [kg]
		AC23A (≤400V)	AC23A (≤500V)		
	[A]	[A]	[A]	n°	[kg]

Separately purchase the handle and shaft extension ❶.

GE0160T4P ❶	160	160	125	1	1.000
GE0160T4	160	160	125	1	1.000
GE0200T4	200	160	125	1	1.000
GE0250T4	250❶	160	125	1	1.000
GE0251T4	250	250	200	1	1.900
GE0315T4	315	315	250	1	1.900
GE0400T4	400	400	315	1	2.100
GE0500T4	500	500	400	1	4.500
GE0630T4	630	630	500	1	4.500
GE0800T4	800	800	500	1	4.500
GE1000T4	1000	1000	800	1	7.600
GE1250T4	1250	1000	800	1	7.600
GE1600T4	1600	1000	900	1	20.800

General characteristics

- 50A to 1600A
- 4-pole types (3P+N) with early-make late-break neutral pole
- Available versions: direct operating and door coupling
- Screw fixing: 35mm DIN rail mount adapter kit for GE0160T4P on page 14-47
- Padlockable in 0 position with no extra accessory.

Operational characteristics

- IEC rated insulation voltage Ui: 1000V
- Mechanical life:
 - 30,000 cycles for GE0160T4...GE0250T4, GE0160T4P
 - 20,000 cycles for GE0251T4...GE0400T4
 - 10,000 cycles for GE0500T4...GE1600T4, GEF0050...GEF0100...T4, GE0400N
 - 8,000 cycles for GEF0125...GEF0250...T4
 - 5,000 cycles for GE0630N and GE0800N.

Certifications and compliance

Certifications obtained: EAC.
Compliant with standards: IEC/EN/BS 60947-1, IEC/EN/BS 60947-3.

Four-pole switch disconnectors with fuse holder IEC/EN/BS



GEF... FT4 - GEF...NT4

new

Order code	IEC conventional free air thermal current Ith AC21A (≤500V)	IEC rated operational current Ie		Qty per pkg	Wt [kg]
		AC23A (≤400V)	AC23A (≤500V)		
	[A]	[A]	[A]	n°	[kg]

With NFC fuse holder.

Separately purchase the handle and shaft extension ❶❷.

GEF0050FT4	50	50	50	1	1.100
GEF0100FT4	100	80	63	1	1.300
GEF0125FT4	125	125	125	1	1.600

With NH fuse holder.

Separately purchase the handle and shaft extension ❶❷.

GEF0063NT4	63	63	50	1	1.100
GEF0100NT4	100	80	63	1	1.300
GEF0125NT4	125	125	125	1	1.600
GEF0160NT4	160	160 ❸	125	1	1.600
GEF0250NT4	250	250	200	1	4.200
GE0400NT4	400	400	400	1	8.000
GE0630NT4	630	630	630	1	15.000
GE0800NT4	800	630	630	1	15.000

❶ To select the right handle refer to the summary table of combinations at page 14-50. Extension shafts of direct operating handles are standard supplied.

❷ See table on page 14-50 for the types of fuses.

❸ Standard supplied with IEC IP20 terminal protection.

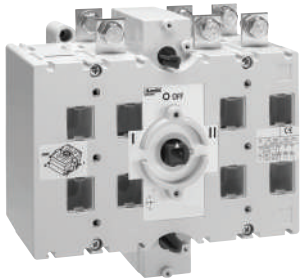
❹ 250A Ith; 200A AC21A ≤500V.

❺ 160A AC23B ≤415V.



GE...NT4

Three-pole changeover switches IEC/EN/BS



GE...E

Order code	IEC conventional free air thermal current I _{th} AC21A (≤500V)	IEC rated operational current I _e		Qty per pkg	Wt [kg]
		AC23A (≤400V)	AC23A (≤500V)		
	[A]	[A]	[A]	n°	[kg]

Separately purchase the handle and shaft extension ❶.

GE0160E	160	160	125	1	1.800
GE0200E	200	160	125	1	1.900
GE0201E	200	160	125	1	4.800
GE0250E	250	180	150	1	4.800
GE0315E	315	200	160	1	5.000
GE0400E	400	250	200	1	5.000
GE0500E	500	400	250	1	11.500
GE0630E	630	500	315	1	11.500
GE0800E	800	630	400	1	11.900
GE1000E	1000	1000	800	1	21.800
GE1250E	1250	1000	900	1	23.600
GE1600E	1600	1000	900	1	50.000
GE2000E	2000	1250	500	1	52.000
GE2500E	2500	1800	1250	1	119.000
GE3150E	3150	1800	1400	1	139.000

General characteristics

- 160A to 3150A
- 4-pole types (3P+N) with early-make late-break neutral pole
- Available versions: direct operating and door coupling
- Screw fixing
- Padlockable in 0 position with no extra accessory.

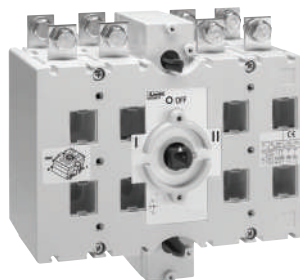
Operational characteristics

- IEC rated insulation voltage U_i: 1000V
- Mechanical life: 30,000 cycles for GE0160E/ET4 and GE0200E/ET4 only; 10,000 cycles for other types.

Certifications and compliance

Certifications obtained: EAC.
Compliant with standards: IEC/EN/BS 60947-1, IEC/EN/BS 60947-3.

Four-pole changeover switches IEC/EN/BS



GE...ET4

Order code	IEC conventional free air thermal current I _{th} AC21A (≤500V)	IEC rated operational current I _e		Qty per pkg	Wt [kg]
		AC23A (≤400V)	AC23A (≤500V)		
	[A]	[A]	[A]	n°	[kg]

Separately purchase the handle and shaft extension ❶.

GE0160ET4	160	160	125	1	2.100
GE0200ET4	200	160	125	1	2.200
GE0201ET4	200	160	125	1	5.300
GE0250ET4	250	180	150	1	5.300
GE0315ET4	315	200	160	1	5.500
GE0400ET4	400	250	200	1	5.500
GE0500ET4	500	400	250	1	12.600
GE0630ET4	630	500	315	1	12.600
GE0800ET4	800	630	400	1	13.200
GE1000ET4	1000	1000	800	1	24.300
GE1250ET4	1250	1000	900	1	26.700
GE1600ET4	1600	1000	900	1	55.000
GE2000ET4	2000	1250	500	1	69.000
GE2500ET4	2500	1800	1250	1	159.000
GE3150ET4	3150	1800	1400	1	186.000

❶ To select the right handle refer to the summary table of combinations at page 14-49. Extension shafts of direct operating handles are standard supplied.

Motorised control unit for changeover switches IEC/EN/BS



GEX69...

Order code	Description	Qty per pkg	Wt [kg]
		n°	[kg]

Complete with control handle, shaft extension and fixing elements.

GEX690C	For GE0160E...GE0200E and GE0160ET4...GE0200ET4	1	3.000
GEX691C	For GE0201E...GE0400E and GE0201ET4...GE0400ET4	1	3.000
GEX692C	For GE0500E...GE0800E and GE0500ET4...GE0800ET4	1	3.000
GEX693C	For GE1000E...GE1250E and GE1000ET4...GE1250ET4	1	5.753
GEX694C	For GE1600...2000E and GE1600...2000ET4	1	5.900
GEX695C	For GE2500...3150E and GE2500...3150ET4	1	5.900

General characteristics

- IEC rated auxiliary supply voltage: 230VAC
- 4 static outputs, 24VDC 120mA total
- 4 inputs, contacts powered at 24VDC or 5VDC (500mA) for changeover control (pulsed or continuous)
- RS485-Modbus (only for GEX692C, GEX693C and GEX694C) serial port for control, monitoring, programming
- Padlockable at 0 position
- Programming by position inputs
- 4-digit display for status-error indications.

Certifications and compliance

Certifications obtained: EAC.
Compliant with standards: IEC/EN/BS 60947-1, IEC/EN/BS 60947-3.

14 Switch disconnectors

GE series 50A to 3150A.

Add-on blocks and accessories

Add-on blocks



GEX10... - GEFX10...



GEFX10S...



GEX8900



GEX8... - GEFX8...



GEFX9...

new

new

Order code	Description	Qty per pkg	Wt
		n°	[kg]

Auxiliary contacts ❶.

GEX1011	1NO/1NC changeover	1	0.032
GEX1022	2NO/2NC changeover	1	0.032

Auxiliary contacts for switch disconnectors with fuse holder type GEF...

GEFX1011 ❷	1NO/1NC changeover	1	0.032
-------------------	--------------------	---	-------

Auxiliary contacts type GEFX1011 mounting support ❸.

GEFX10S1	For simultaneous closing. For GEF0050...GEF0160...	1	0.080
GEFX10SEA1	For early-make contact operation, to be only used for 2NO/2NC configuration. For GEF0050...GEF0160...	1	0.080
GEFX10S2	For simultaneous closing. For GEF0250...	1	0.100
GEFX10SEA2	For early-make contact operation, to be only used for 2NO/2NC configuration. For GEF0250...	1	0.100

Auxiliary contacts for switch disconnector types GE0160...GE0200E, GE0160...GE0200ET4, GE1600...GE3150E, GE1600...GE3150ET4.

GEX1011M	1NO/1NC changeover	1	0.016
-----------------	--------------------	---	-------

Adapter kit for 35mm DIN fixing.

GEX8900	For GE...P types only	1	0.040
----------------	-----------------------	---	-------

Set of terminal covers consisting of pieces given below.
Screw fixing.

GEX8101	1-piece set, transparent sheet covering 4 poles	1	0.048
GEX8111	2-piece set, each covers two poles	1	0.080
GEX8121	2-piece set, each covers two poles	1	0.140
GEX8131	2-piece set, each covers two poles	1	0.170
GEX8141	2-piece set, each covers two poles	1	0.440

Snap-on fixing.

GEX8211	3-piece set, each covers one pole	1	0.120
GEX8221	3-piece set, each covers one pole	1	0.240
GEX8222	3-piece set, each covers one pole	1	0.240
GEX8223	4-piece set, each covers one pole	1	0.320
GEX8231	3-piece set, each covers one pole	1	0.340
GEX8232	3-piece set, each covers one pole	1	0.340
GEX8233	4-piece set, each covers one pole	1	0.440
GEX8311	3-piece set, each covers one pole	1	0.120
GEX8312	4-piece set, each covers one pole	1	0.160
GEX8321	3-piece set, each covers one pole	1	0.260
GEX8322	4-piece set, each covers one pole	1	0.340
GEX8331	3-piece set, each covers one pole	1	0.360
GEX8332	4-piece set, each covers one pole	1	0.460
GEFX800	3-piece set, each covers one pole	1	0.090
GEFX801	4-piece set, each covers one pole	1	0.120
GEFX802	3-piece set, each covers one pole	1	0.120
GEFX803	4-piece set, each covers one pole	1	0.160

Phase barriers for GEF... ❹

GEFX900	2-piece set, for three-pole GEF...	1	0.090
GEFX901	3-piece set, for four-pole GEF...	1	0.120
GEFX902	2-piece set, for three-pole GEF...	1	0.120
GEFX903	3-piece set, for four-pole GEF...	1	0.180

❶ Unsuitable for switch disconnectors type GEF..., GE0160E, GE0200E, GE0160ET4, GE0200ET4, GE1600E e GE1600ET4.
 ❷ Max 2 auxiliary contacts can be mounted.
 ❸ It is possible to mount only one GEFX1011 with early-make contact operation without any support. For simultaneous closing or 2 auxiliary contacts select the right support.
 ❹ Phase barrier is not needed between command pole and the next power pole.

Refer to the combinations given on pages 12-49 to 51 and 14-56 and 57 for a correct choice based on the switch disconnector type used.

General characteristics for auxiliary contacts
IEC conventional free air thermal current Ith: 16A.

Certifications and compliance
Certifications obtained: EAC.
Compliant with standards: IEC/EN/BS 60947-1, IEC/EN/BS 60947-3.

Refer to the combinations given on pages 12-49 to 51 and 14-56 and 57 for a correct choice based on the switch disconnector type used.

14 Switch disconnectors

GE series 50A to 3150A.

Add-on blocks and accessories

INDEX

Handles and shaft extensions



GEX...D - GEX...E



GEX62NE



GEFX6...DB



GAX66N



GEFX61



GEX68N



GEX67NB



GAX7...AN



GEX7...GEFX7...

Order code	Characteristics	Qty per pkg	Wt
		n°	[kg]

DIRECT OPERATING LEVER HANDLE, PADLOCKABLE.
Rotating type with screw fixing on switch disconnector.
Complete with shaft extension.

GEX61E	50mm/2" black lever	1	0.052
GEX62NE	143mm/5.6" black lever	1	0.266
GEX63D	245mm/9.6" black lever	1	0.536
GEX63NE	176mm/6.9" black lever	1	0.424
GEX64D	360mm/14.2" black lever	1	0.612
GEX64NE	396mm/15.6" black lever	1	0.612
GEX641NE	396mm/15.6" black lever	1	0.620
GEX65D	50mm/2" black lever	1	0.054
GEX66ND	115mm/4.5" black lever	1	0.216
GEX67ND	143mm/5.6" black lever	1	0.322
GEX68ND	396mm/15.6" black lever	1	0.328
GEX69ND	604mm/25.2" black lever	1	0.740
GEFX61DB	50mm/2" black lever	1	0.055
GEFX62DB	65mm/ 2.6" black lever	1	0.075

new

DOOR COUPLING LEVER HANDLE, PADLOCKABLE.
Red/yellow rotating type with screw fixing on door.
Shaft extension to order separately.
Defeatable (requirement UL508A).

GAX66N	115mm/4.5". □10mm/0.4". IP65	1	0.248
GEX67N	143mm/5.6". □14mm/0.6". IP65	1	0.302
GEX68N	396mm/15.6". □14mm/0.6". IP65	1	0.312
GEFX61	94mm/3.7". □7mm/0.3". IP65	1	0.075
GEFX62	115mm/4.5". □10mm/0.4". IP65	1	0.216

new

DOOR COUPLING LEVER HANDLE, PADLOCKABLE.
Black rotating type with screw fixing on door.
Shaft extension to order separately.
Defeatable (requirement UL508A).

GAX66NB	65mm/2.6". □7mm/0.3". IP66	1	0.075
GEX61NC	94mm/3.7". □7mm/0.3". IP65	1	0.074
GEX62NC	143mm/5.6". □10mm/0.4". IP65	1	0.252
GEX63NC	176mm/6.9". □14mm/0.6". IP65	1	0.302
GEX64NC	396mm/15.6". □14mm/0.6". IP65	1	0.488
GEX641NC	396mm/15.6". □14mm/0.6". IP65	1	0.500
GEX67NB	143mm/5.6". □14mm/0.6". IP65	1	0.298
GEX68NB	396mm/15.6". □14mm/0.6". IP65	1	0.310
GEX69NB	604mm/25.2". □14mm/0.6". IP65	1	0.740
GEFX61B	94mm/3.7". □7mm/0.3". IP65	1	0.302
GEFX62B	115mm/4.5". □10mm/0.4". IP65	1	0.312

new

SHAFT EXTENSIONS for door coupling handles.

GAX7150AN	150mm/5.9", □7mm/0.3"	1	0.090
GAX7200AN	200mm/7.9", □7mm/0.3"	1	0.112
GAX7300AN	300mm/11.8", □7mm/0.3"	1	0.160
GAX7400AN	400mm/15.7", □7mm/0.3"	1	0.200
GAX7500AN	500mm/19.7", □7mm/0.3"	1	0.250
GEX7162N	177mm/7", □7mm/0.3"	1	0.056
GEX7195N	195mm/7.7", □14mm/0.6"	1	0.248
GEX7227N	227mm/8.9", □10mm/0.4"	1	0.154
GEX7239N	239mm/9.4", □14mm/0.6"	1	0.310
GEX7250N	250mm/9.8", □7mm/0.3"	1	0.084
GEX7345N	345mm/13.6", □14mm/0.6"	1	0.480
GEX7375N	375mm/14.7", □10mm/0.4"	1	0.274
GEX7387N	387mm/15.2", □7mm/0.3"	1	0.142
GEX7536N	536mm/21.1", □10mm/0.4"	1	0.408
GEX7535N	535mm/21", □14mm/0.6"	1	0.784
GEX7485N	485mm/19.1", □14mm/0.6"	1	0.930
GEFX7177	177mm/7", □7mm/0.3"	1	0.077
GEFX7250	250mm/9.8", □7mm/0.3"	1	0.084
GEFX7387	387mm/15.2", □7mm/0.3"	1	0.142
GEFX7227	227mm/8.9", □10mm/0.4"	1	0.184
GEFX7375	375mm/14.8", □10mm/0.4"	1	0.274
GEFX7536	536mm/21.1", □10mm/0.4"	1	0.408

new

Refer to the combinations given on pages 14-49 to 51 and 14-56 and 57 for a correct choice based on the switch disconnector type used.

Certifications and compliance

Certification obtained: cULus according to UL98A/CSA C22.2 n°4 only for types GAX66N... and GAX7...AN; EAC for all.

Compliant with standards: IEC/EN/BS 60947-1, IEC/EN/BS 60947-3.

Form and handle length	Handle types
50mm/2"	GEX61E - GEX65D - GEFX61DB
65mm/2.6"	GAX66N - GAX66NB - GEFX62DB
94mm/3.7"	GEX61NC - GEFX61 - GEFX61B
115mm/4.5"	GEX66ND - GEFX62 - GEFX62B
143mm/5.6"	GEX62NC - GEX62NE GEX67N - GEX67NB GEX67ND
176mm/6.9"	GEX63NC - GEX63NE
245mm/9.6"	2-hand GEX63D
360mm/14.2"	2-hand GEX64D
396mm/15.6"	2-hand GEX64NC - GEX64NE - GEX641NC - GEX641NE - GEX68N - GEX68NB - GEX68ND
604mm/25.2"	2-hand GEX69ND - GEX69NB

Refer to the combinations given on pages 12-49 to 51 and 14-56 and 57 for a correct choice based on the switch disconnector type used.

Summary table of combinations - Three and four-pole changeover switches

Type	IEC conventional thermal current I _{th}		IEC rated operational current I _e		Direct operating handle			Door coupling handles		Shaft extensions for door coupling handles (the last 3 digits of GEX code indicate length in mm/in)		Auxiliary contacts 1NO/1NC	Motorised control unit	Terminal covers for:		
	AC21A (≤500V)	AC23B (≤400V)	AC23B (≤500V)	Black	Black	Red/yellow	Exten. section	Max panel depth	Line 1	Line 2	Load					

Three-pole changeover switches IEC/EN/BS.

Order code	[A]	[A]	[A]	Order code	Order code	Order code	Order code	□	[mm/in]	Order code	Order code	Order code	Order code	Order code
GE0160E	160	160	125	GEX61E	GEX61NC	—	GEX7162N	7mm/0.3"	269/10.59"	GEX1011M	GEX690C	GEX8101	①	GEX8101
GE0200E	200	160	125				GEX7250N		342/13.36"			GEX8101		
							GEX7387N		479/18.86"					
GE0201E	200	160	125	GEX62NE	GEX62NC	—	GEX7227N	10mm/0.4"	279/10.98"	GEX1011	GEX691C	GEX8212	GEX8211	GEX831
GE0250E	250	180	150				GEX7375N		427/16.81"	GEX1022				
GE0315E	315	200	160				GEX7536N		588/23.15"					
GE0400E	400	250	200											
GE0500E	500	400	250	GEX63NE	GEX63NC	—	GEX7195N	14mm/0.6"	257/10.12"		GEX692C	GEX8222	GEX8221	GEX832
GE0630E	630	500	315				GEX7345N		407/16.02"					
GE0800E	800	630	400				GEX7535N		597/23.50"					
GE1000E	1000	1000	800	GEX64NE	GEX64NC	—			280/11.02"		GEX693C	GEX8232	GEX8231	GEX8331
GE1250E	1250	1000	900						430/16.93"					
									620/24.41"					
GE1600E	1600	1000	900			—	GEX7239N		579/22.79"	GEX1011M	GEX694C	GEX8141	—	GEX8141
							GEX7485N		825/32.48"					
GE2000E	2000	1250	500	GEX641NE	GEX641NC	—	Included	—	602/23.7"		GEX694C	—	—	—
GE2500E	2500	1800	1250	GEX69ND	GEX69NB	—		—	938/36.9"		GEX695C	—	—	—
GE3150E	3150	1800	1400			—		—			GEX695C	—	—	—

Four-pole changeover switches IEC/EN/BS.

Order code	[A]	[A]	[A]	Order code	Order code	Order code	Order code	□	[mm/in]	Order code	Order code	Order code	Order code	Order code
GE0160ET4	160	160	125	GEX61E	GEX61NC	—	GEX7162N	7mm/0.3"	269/10.59"	GEX1011M	GEX690C	GEX8101	①	GEX8101
GE0200ET4	200	160	125				GEX7250N		342/13.36"			GEX8101		
							GEX7387N		479/18.86"					
GE0201ET4	200	160	125	GEX62NE	GEX62NC	—	GEX7227N	10mm/0.4"	279/10.98"	GEX1011	GEX691C	GEX8213	GEX8213	GEX8312
GE0250ET4	250	180	150				GEX7375N		427/16.81"	GEX1022				
GE0315ET4	315	200	160				GEX7536N		588/23.15"					
GE0400ET4	400	250	200											
GE0500ET4	500	400	250	GEX63NE	GEX63NC	—	GEX7195N	14mm/0.6"	257/10.12"		GEX692C	GEX8223	GEX8223	GEX8322
GE0630ET4	630	500	315				GEX7345N		407/16.02"					
GE0800ET4	800	630	400				GEX7535N		597/23.50"					
GE1000ET4	1000	1000	800	GEX64NE	GEX64NC	—			280/11.02"		GEX693C	GEX8233	GEX8233	GEX833
GE1250ET4	1250	1000	900						430/16.93"					
									620/24.41"					
GE1600ET4	1600	1000	900			—	GEX7239N		579/22.79"	GEX1011M	GEX694C	GEX8141	—	GEX8141
							GEX7485N		825/32.48"					
GE2000ET4	2000	1250	500	GEX641NE	GEX641NC	—	Included	—	602/23.7"		GEX694C	—	—	—
GE2500ET4	2500	1800	1250	GEX641NE	GEX641NC	—		—	938/36.9"		GEX695C	—	—	—
GE3150ET4	3150	1800	1400			—		—			GEX695C	—	—	—

① GEX8101 terminal cover protects the input of both Line 1 and Line 2; nothing else is required for Line 2.

Summary table of combinations - Three-pole switch disconnectors

Three pole type ①	IEC conventional thermal current I _{th}		IEC rated operational current I _e		Direct operating handle			Door coupling handles			Shaft extensions for door coupling handles (the last 3 digits of GEX code indicate length in mm/in)		Auxiliary contacts 1NO/1NC	Type of fuse	Terminal covers for:	Phase barriers
	AC21A (≤500V)	AC23A (≤400V)	AC23A (≤500V)	Black	Black	Red/yellow	Order code	Order code	Order code	Order code	Exten. section	Max panel depth				
Order code	[A]	[A]	[A]	Order code	Order code	Order code	Order code	Order code	Order code	□	[mm/in]	Order code	Order code	Order code	Order code	

Switch disconnectors IEC/EN/BS.

GE0160P ②	160	160	125	GEX65D	GAX66NB	GAX66N	GAX7150AN ③	7mm/0.3"	214/8.42"	GEX1011 GEX1022	—	④	—
GE0160	160	160	125				GAX7200AN ③	264/10.39"	GEX8101				
GE0200	200	160	125				GAX7300AN ③	364/14.33"					
GE0250	250	160	125				GAX7400AN ③	464/18.27"					
							GAX7500AN ③	564/22.20"					
GE0251	250	250	200	GEX66ND	GEX66NB	GEX66N	GEX7227N	10mm/0.4"	267/10.51"	GEX8111	—	—	
GE0315	315	315	250				GEX7375N	415/16.34"					
GE0400	400	400	315				GEX7536N	576/22.68"					
GE0500	500	500	400	GEX67ND	GEX67NB	GEX67N	GEX7195N	14mm/0.6"	251/9.88"				GEX8121
GE0630	630	630	500				GEX7345N	401/15.79"					
GE0800	800	800	500				GEX7535N	591/23.27"					
GE1000	1000	1000	800	GEX68ND	GEX68NB	GEX68N			267/10.51"				GEX8131
GE1250	1250	1000	800					417/16.42"					
								607/23.90"					
GE1600	1600	1000	900				GEX7239N	14mm/0.6"	399/15.71"				GEX8141
							GEX7485N	645/25.39"					

Switch disconnectors with NFC fuse holder IEC/EN/BS.

GEF0050F	50	50	50	GEF61DB	GEF61B	GEF61	GEF7177	7mm/0.3"	248/9.76"	GEFX1011 ④	14x51	—	—
GEF0100F	100	100	80				GEF7250		321/12.63"				
GEF0125F	125	125	125				GEF7387		458/18.03"		22x58	GEFX800	GEFX900
									280/11.02"				
									353/13.89"				
									490/19.29"				

Switch disconnectors with NH fuse holder IEC/EN/BS.

GEF0063N	63	63	63	GEF61DB	GEF61B	GEF61	GEF7177	7mm/0.3"	270/10.63"	GEFX1011 ④	000	—	—
GEF0100N	100	100	80				GEF7250		343/13.5"				
GEF0125N	125	125	125				GEF7387		480/18.89"		00	GEFX800	GEFX900
GEF0160N	160	160	160 ⑤										
GEF0250N	250	250	250	GEF62DB	GEF62B	GEF62	GEF7227	10mm/0.4"	341/32.32"	GEX1011 GEX1022	1	GEFX802	GEFX902
							GEF7375	489/19.25"					
							GEF7536	650/25.59"					
GE0400N	400	400	400	GEX63D	GEX67NB	GEX67N	GEX7195N	14mm	271/10.67"	GEX1011 GEX1022	2	GEX8221/ GEX8222	—
							GEX7345N		421/16.57"				
							GEX7535N		611/24.05"				
GE0630N	630	630	630	GEX64D	GEX68NB	GEX68N			285/11.22"	3	GEX8231/ GEX8232		
GE0800N	800	630	630					435/17.12"					
									625/24.61"				

① The motorised control unit cannot be installed.

② Standard supplied with IP20 terminal protection warranted by wired equipment with only maximum conductor section of 95mm². Suitable for mounting on 35mm DIN rail, GEX8900 kit is available on page 14-47.

③ Extension length for type GAX7150AN is 186mm/7.32", type GAX7200AN 236mm/9.29", type GAX7300AN 336mm/13.23", type GAX7400AN 436mm/17.16" and type GAX7500AN 536mm/21.10".

④ Refer to page 14-47 to select the right GEFX10S... mounting support.

⑤ 160A AC23B (≤415V).

Summary table of combinations - Four-pole switch disconnectors

Three pole type ①	IEC conventional thermal current Ith			IEC rated operational current Ie			Direct operating handle	Door coupling handles		Shaft extensions for door coupling handles (the last 3 digits of GEX code indicate length in mm/in)		Auxiliary contacts 1NO/1NC	Type of fuse	Terminal covers for:	Phase barriers
	AC21A (≤500V)	AC23A (≤400V)	AC23A (≤500V)	Black	Black	Red/yellow	Exten. section	Max panel depth	Order code	Line/Load					

Switch disconnectors IEC/EN/BS.

Order code	[A]	[A]	[A]	Order code	Order code	Order code	Order code	□	[mm/in]	Order code		Order code	Order code
GE0160T4P Ⓜ	160	160	125	GEX65D	GAX66NB	GAX66N	GAX7150AN Ⓜ	7mm/0.3"	214/8.42"	GEX1011	—	Ⓜ	—
GE0160T4	160	160	125				GAX7200AN Ⓜ		264/10.39"	GEX1022		GEX8101	
GE0200T4	200	160	125				GAX7300AN Ⓜ		364/14.33"				
GE0250T4	250	160	125				GAX7400AN Ⓜ		464/18.27"				
							GAX7500AN Ⓜ		564/22.20"				
GE0251T4	250	250	200	GEX66ND	GEX66NB	GEX66N	GEX7227N	10mm/0.4"	267/10.51"			GEX8111	
GE0315T4	315	315	250				GEX7375N		415/16.34"				
GE0400T4	400	400	315				GEX7536N		576/22.68"				
GE0500T4	500	500	400	GEX67ND	GEX67NB	GEX67N	GEX7195N	14mm/0.6"	251/9.88"			GEX8121	
GE0630T4	630	630	500				GEX7345N		401/15.79"				
GE0800T4	800	800	500				GEX7535N		591/23.27"				
GE1000T4	1000	1000	800	GEX68ND	GEX68NB	GEX68N			267/10.51"			GEX8131	
GE1250T4	1250	1000	800						417/16.42"				
									607/23.90"				
GE1600T4	1600	1000	900				GEX7239N	14mm/0.6"	399/15.71"			GEX8141	
							GEX7485N		645/25.39"				

Switch disconnectors with NFC fuse holder IEC/EN/BS.

Order code	[A]	[A]	[A]	Order code	Order code	Order code	Order code	□	[mm/in]	Order code		Order code	Order code
GEF0050FT4	50	50	50	GEFX61DB	GEFX61B	GEFX61	GEFX7177	7mm/0.3"	248/9.76"	GEFX1011	14x51	—	—
GEF0100FT4	100	100	80				GEFX7250		321/12.63"	Ⓜ	22x58		
GEF0125FT4	125	125	125				GEFX7387		458/18.03"			GEFX801	GEFX901
									280/11.02"				
									353/13.89"				
									490/19.29"				

Switch disconnectors with NH fuse holder IEC/EN/BS.

Order code	[A]	[A]	[A]	Order code	Order code	Order code	Order code	□	[mm/in]	Order code		Order code	Order code
GEF0063NT4	63	63	63	GEFX61DB	GEFX61B	GEFX61	GEFX7177	7mm/0.3"	270/10.63"	GEFX1011	000	—	—
GEF0100NT4	100	100	80				GEFX7250		343/13.5"	Ⓜ	00	GEFX801	GEFX901
GEF0125NT4	125	125	125				GEFX7387		480/18.89"				
GEF0160NT4	160	160	160 Ⓜ										
GEF0250NT4	250	250	250	GEFX62DB	GEFX62B	GEFX62	GEFX7227	10mm/0.4"	341/32.32"		1	GEFX803	GEFX903
							GEFX7375		489/19.25"				
							GEFX7536		650/25.59"				
GE0400NT4	400	400	400	GEX63D	GEX67NB	GEX67N	GEX7195N	14mm	271/10.67"	GEX1011	2	GEX8221/	—
							GEX7345N		421/16.57"	GEX1022		GEX8222	
							GEX7535N		611/24.05"				
GE0630NT4	630	630	630	GEX64D	GEX68NB	GEX68N			285/11.22"		3	GEX8231/	
GE0800NT4	800	630	630						435/17.12"			GEX8232	
									625/24.61"				

① The motorised control unit cannot be installed.

② Standard supplied with IP20 terminal protection warranted by wired equipment with only maximum conductor section of 95mm². Suitable for mounting on 35mm DIN rail, GEX8900 kit is available on page 14-47.

③ Extension length for type GAX7150AN is 186mm/7.32", type GAX7200AN 236mm/9.29", type GAX7300AN 336mm/13.23", type GAX7400AN 436mm/17.16" and type GAX7500AN 536mm/21.10".

④ Refer to page 14-47 to select the right GEFX10S... mounting support.

Ⓜ 160A AC23B (≤415V).

Three-pole disconnect switches with fuse holder (UL98)



GMF...030C12



GMFJ100C03



GMFJ400C03



GMFL800C03

Order code	General purpose current	UL fuse type	Command pole position	Qty per pkg	Wt
	[A]	[A]		n°	[kg]

Supplied without handle.
Complete the disconnect switch by selecting shaft extension and handle for door coupling version or the handle for direct operating version (see page 12-53).

GMFC030C12	30	CC	Central	1	0.700
GMFJ030C12	30	J	Central	1	0.700
GMFJ060C12	60	J	Central	1	1.135
GMFJ060C03	60	J	Left	1	1.135
GMFJ100C03	100	J	Left	1	1.815
GMFJ200C03	200	J	Left	1	3.000
GMFJ400C03	400	J	Left	1	6.800
GMFJ600C03	600	J	Left	1	13.00
GMFL800C03	800	L	Left	1	13.00

UL/CSA ratings

Type	1 phase [HP]		3 phase [HP]			Short-circuit rating at 600VAC [kA]	Fuse type	
	120V	240V	240V	480V	600V		[A]	[class]
GMFC030C12	2	3	7.5	15	20	200	30	CC
GMFJ030C12	2	3	7.5	15	20	200	30	J
GMFJ060C12	-	-	15	30	50	200	60	J
GMFJ060C03	-	-	15	30	50	200	60	J
GMFJ100C03	-	-	30	60	75	200	100	J
GMFJ200C03	-	-	60	125	150	200	200	J
GMFJ400C03	-	-	125	250	350	200	400	J
GMFJ600C03	-	-	200	400	500	200	600	J
GMFL800C03	-	-	250	500	500	200	800	L

Add-on blocks and accessories



GMX1010



GMX3...



GMX800
GMX801
GMX802



GMX803
GMX804



GMX5...



GMXFM...

- ① Only for GMF...030 types.
- ② For all GM switch disconnectors. Suitable for 1 or 3 phase circuits. Includes 1 NO and 1 NC auxiliary contacts and red/green LED lights for indication.

Order	Description	Qty per pkg	Wt
		n°	[kg]

Auxiliary contacts, mounting to the switch mechanism.

GMX1011①	1NO/NC changeover	1	0.020
GMX1010	1NO	1	0.030
GMX1001	1NC	1	0.030

Module for auxiliary contacts mounting on the side of the switch mechanism.

GMX33	For GMF...030 types	1	0.060
GMX34	For GMF...60 to GMF...800 types	1	0.065

Terminal covers.

GMX800	3-piece set, each covers 1 pole for GMFJ100C03	1	0.080
GMX801	3-piece set, each covers 1 pole for GMFJ200C03	1	0.090
GMX802	1-piece set, covers 3 poles for GMFJ400C03	1	0.08
GMX803	1-piece set, covers 3 poles for GMFJ600C03	1	0.080
GMX804	1-piece set, covers 3 poles for GMFL800C03	1	0.080

Terminal clamp sets for rigid and flexible cables.

GMX500	6-piece set for GMFJ100C03	1	0.200
GMX501	6-piece set for GMFJ200C03	1	0.200
GMX502	6-piece set for GMFJ400C03	1	0.500
GMX503	6-piece set for GMFJ400C03	1	1.000
GMX504	6-piece set for GMFJ600C03 and GMFL800C03	1	1.600

Fuse monitor modules ②.

GMXFM1	Rated voltage 120...240V	1	0.145
GMXFM2	Rated voltage 380...600V	1	0.140

Crimp terminals for fuse monitor GMXF... cables.

GMX505	6-piece set. Terminal size 2.8-0.8mm/0.11-0.03"	1	0.004
--------	---	---	-------

General characteristics

- General purpose current according to UL98: 30A to 800A
- Compact dimensions
- Available versions: direct operating and door coupling
- Screw or 35mm DIN rail fixing for GMF...030 types
- Possibility to adjust the position of the clips for fixing screw on plate for GMF...060 to GMF...800 types.

Operational characteristics

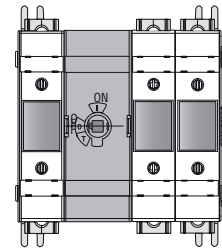
- IEC rated insulation voltage U_i : 1000V
- UL max operating voltage: 600V
- IEC rated impulse withstand U_{imp} : 12kV
- Mechanical life:
 - 10,000 cycles for GMF...030 and GMF...060
 - 8,000 cycles for GMFJ100C03 and GMFJ200C03
 - 5,000 cycles for GMFJ400C03 and GMFJ600C03
 - 3,000 cycles for GMFL800C03.

Certifications and compliance

Certifications obtained: cULus according to UL98 / CSA C22.2 n°4.
Compliant with standards: IEC/EN/BS 60947-3, IEC/EN/BS 60947-1.

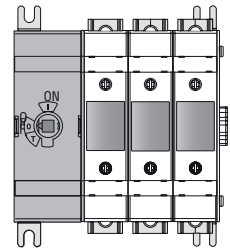
GMF...C12 type

Central command pole



GMF...C03 type

Left command pole



Operational characteristics of auxiliary contacts GMX1011

- IEC conventional free air thermal current I_{th} : 10A
- IEC rated insulation voltage: 400V
- Conductivity: 12V, 25mA
- Tightening torque: 0.8Nm/7.1lb.in
- Maximum 6 contacts for GMF...030 disconnect switches.

Operational characteristics of auxiliary contacts GMX1010/01

- IEC/EN/BS and UL conventional free air thermal current I_{th} : 16A and 10A
- IEC/EN/BS and UL rated insulation voltage: 690V/600V
- Conductivity: 24V, 10mA
- UL/CSA and IEC/EN/BS 60947-5-1 designation: A600 R300
- Tightening torque: 0.8Nm/7.1lb.in
- Maximum 8 contacts for GMF...060 to GMFL800 switch disconnectors.

Operational characteristics for terminal clamps

- Minimum and maximum conductor cross section:
 - GMX500: 2.5...70mm² / 14-2/0AWG
 - GMX501: 25...150mm² / 4-300Kcmil
 - GMX502: 35...300mm² / 2-600Kcmil
 - GMX503: 2x 35...150mm² / 2x 6-300Kcmil
 - GMX504: 2x 35...300mm² / 2x 2-600Kcmil
- Tightening torque:
 - GMX500: 13Nm / 120lb.in.
 - GMX501: 22Nm / 200lb.in.
 - GMX502: 42Nm / 375lb.in.
 - GMX503: 22Nm / 200lb.in.
 - GMX504: 22.6Nm / 200lb.in.

Operational characteristics for terminal covers

- Snap-on mounting.

Certifications and compliance

Certifications obtained: cULus for GMX1010, GMX1001, GMXFM1 and GMXFM2.
Compliant with standards: IEC/EN/BS 60947-3, IEC/EN/BS 60947-1.

14 Fusible disconnect switches (UL98)

GM series 30A to 800A.
Accessories

Handles and shafts



GMX62DB



GMX62



GLX00



GMX7...S06

NFPA handle



GMX61NFPA



GMXCL...



GMX30

Order code	Characteristics	Qty per pkg	Wt
		n°	[kg]
Direct operating handles.			
GMX61DB	For GMF...030. Black	1	0.050
GMX62DB	For GMFJ060...GMFJ200. Black	1	0.150
GMX63DB	For GMFJ400. Black	1	0.350
GMX64DB	For GMFJ600...GMFL800. Black	1	1.100

Door coupling handles.			
GAX66N	For GMF...030...GMFJ200. Screw fixing. 65mm/2.56" lever length pistol handle - defeatable (req. UL508A). Red/yellow. □ 6mm/0.24"	1	0.050
GAX66NB	For GMF...030...GMFJ200. Screw fixing. 65mm/2.56" lever length pistol handle - defeatable (req. UL508A). Black. □ 6mm/0.24"	1	0.050
GMX61	For GMFJ400. Screw fixing. 125mm/4.92" lever length pistol handle - defeatable (req. UL508A). Red/yellow. □ 12mm/0.47"	1	0.050
GMX61B	For GMFJ400. Screw fixing. 125mm/4.92" lever length pistol handle - defeatable (req. UL508A). Black. □ 12mm/0.47"	1	0.200
GMX62	For GMFJ600...GMFL800. Screw fixing. 175mm/6.89" lever length pistol handle - defeatable (req. UL508A). Red/yellow. □ 12mm/0.47"	1	0.200
GMX62B	For GMFJ600...GMFL800. Screw fixing. 175mm/6.89" lever length pistol handle - defeatable (req. UL508A). Black. □ 12mm/0.47"	1	0.200

Accessories for door coupling handles.			
GLX00	Shaft alignment ring	1	0.040
Shaft extensions for door coupling handles GAX66N and GAX66NB types.			
GMX7150S06	150mm/5.90", □ 6mm/0.24"	1	0.120
GMX7300S06	300mm/11.81", □ 6mm/0.24"	1	0.155
Shaft extensions for door coupling handles GMX61, GMX61B, GMX62 and GMX62B types.			
GMX7150S12	150mm/5.90", □ 12mm/0.47"	1	0.240
GMX7300S12	300mm/11.81", □ 12mm/0.47"	1	0.280
GMX7500S12	500mm/19.68", □ 12mm/0.47"	1	0.310

Order code	Characteristics	Qty per pkg	Wt
		n°	[kg]
Flange handle.			
GMX61NFPA	For GMF...030...GMFJ200. NEMA 4, 4X. Black	1	1.850
Flexible connection cables for GMX61NFPA.			
GMXCL36	Cable length 914mm/36"	1	0.400
GMXCL48	Cable length 1220mm/48"	1	0.500
GMXCL60	Cable length 1520mm/60"	1	0.550
GMXCL72	Cable length 1828mm/72"	1	0.650
Support and operating mechanism for GMX61NFPA.			
GMX30	For GMF...030	1	0.830
GMX31	For GMFJ060C12	1	1.180
GMX32	For GMF...060...GMFJ200	1	1.520

Operational characteristics for direct operating handles

- Screw fixing on disconnect switches
- 1 to 3 padlocks in the Ø5...6.2mm/0.2...0.24".

Operational characteristics for door coupling handles

- Handle fixing centres: 28x40mm/1.1x1.57"
- 1 to 3 padlocks in the Ø4...8mm/0.16...0.31" for all handles
- Tightening torque: 1.5Nm/13.3lb.in
- Degree of protection: IP66 and NEMA 4X per UL.

NOTE: the handles type GAX66N, GAX66NB, GMX61, GMX61B, GMX62, GMX62B are in accordance with UL/CSA Type 1, 2, 3R, 12, 12K, 4, 4X for external use.

Certifications and compliance

Certifications obtained: cULus for GMX62DB, GMX63DB, GMX64DB, GAX66N, GAX66NB, GMX61, GMX61B, GMX62, GMX62B, GLX00, GMX7...
Compliant with standards: IEC/EN/BS 60947-1, IEC/EN/BS 60947-3.

General characteristics for NFPA handle

The GMX61NFPA lever handle complies with the requirements of the North American NFPA79 standard. This standard requires that the switch disconnecter can be operated without accessories or tools whether the door is closed or open. In case of operation with an open door, a device is integrated into the GMX61NFPA handle to prevent it from being activated unless a voluntary action is taken to unlock it.

Certifications and compliance

Certifications obtained: cURus for GMX61NFPA.
Compliant with standards: IEC/EN/BS 60947-1, IEC/EN/BS 60947-3.

Switch disconnectors IEC/EN/BS GA series



GA040D



GAX42...D

Order code	IEC conventional free air thermal current Ith	IEC rated operational current Ie DC21B			Qty per pkg	Wt [kg]
		3 poles	4 poles	500V 600V 800V		
[A]	[A]	[A]	[A]	[A]	n°	[kg]

Switch disconnector complete with black handle.

GA040D	40	12	—	—	1	0.135
---------------	----	----	---	---	---	-------

Fourth pole.

GAX42040D	40	—	20	15	1	0.040
------------------	----	---	----	----	---	-------

- ① Connection of 4 poles in series.
- ② For other operational voltages, refer to technical characteristics on page 12-97.

Switch disconnectors IEC/EN/BS GD series



GD040AT4

Order code	IEC conventional free air thermal current Ith	IEC rated operational current Ie DCPV1				Qty per pkg	Wt [kg]
		≤800V	1000V	1200V	1500V		
[A]	[A]	[A]	[A]	[A]	[A]	n°	[kg]

Switch disconnector complete with black handle.

GD025AT2	25	25	16	—	—	1	0.140
-----------------	----	----	----	---	---	---	-------

GD025AT3	25	25	25	—	—	1	0.180
-----------------	----	----	----	---	---	---	-------

GD032AT3	32	32	32	—	—	1	0.180
-----------------	----	----	----	---	---	---	-------

GD032AT4	32	32	32	25	20	1	0.220
-----------------	----	----	----	----	----	---	-------

GD040AT3	40	40	32	—	—	1	0.180
-----------------	----	----	----	---	---	---	-------

GD040AT4	40	40	40	32	25	1	0.220
-----------------	----	----	----	----	----	---	-------

Plastic enclosed switch disconnectors IEC/EN/BS IP65



GAZ016DT2



GAZ040DT4

Order code	IEC conventional thermal current Ith	IEC rated operational current Ie DCPV1				Qty per pkg	Wt [kg]
		≤800V	1000V	1200V	1500V		
[A]	[A]	[A]	[A]	[A]	[A]	n°	[kg]

With red/yellow handle.

GAZ025DT2	25	25	16	—	—	1	0.450
------------------	----	----	----	---	---	---	-------

GAZ032DT3	32	32	32	—	—	1	1.050
------------------	----	----	----	---	---	---	-------

GAZ040DT4	40	40	40	32	25	1	1.050
------------------	----	----	----	----	----	---	-------

With black handle.

GAZ025DT2B	25	25	16	—	—	1	0.450
-------------------	----	----	----	---	---	---	-------

GAZ032DT3B	32	32	32	—	—	1	1.050
-------------------	----	----	----	---	---	---	-------

GAZ040DT4B	40	40	40	32	25	1	1.050
-------------------	----	----	----	----	----	---	-------

General characteristics

- Up to 40A (1000VDC) and 32A (1200VDC)
- Modular construction
- Jumpers for connecting the poles in series supplied as standard with disconnectors GD series...
- Available versions:
 - Direct operating
 - Door coupling version. Use switch disconnector with direct actuator and separately purchase the handle and shaft extension for this version. See pages 14-18 to 14-20
- Screw or 35mm DIN rail fixing
- Padlockable in 0 position with no extra accessory.

Operational characteristics

- Rated insulation voltage for GA...D and GD... Ui: 1000V (pollution degree 3)
- Rated insulation voltage for GD... Ui: 1500V (pollution degree 2)
- Rated impulse withstand Uimp: 8kV
- Mechanical life:
 - 100,000 cycles GA040D
 - 10,000 cycles GD...
- Operating temperature: -25°C...+55°C
- Storage temperature: -40°C...+70°C
- Degree of protection: IP20 (only for GA040D).

Certifications and compliance

Certifications obtained: UL Listed for USA and Canada (cULus - File E93602) as Manual Motor Controllers, to UL508/CSA C22.2 n° 14 for GA040D and GAX42040D; EAC for GA...D.
Compliant with standards: IEC/EN/BS 60947-3, IEC/EN/BS 60947-1.

Strokes of GA...D types (main poles and add-on pole)

	Travel 0→1	0°	30°	60°	90°
GA040D Main poles				60°	
GAX42040D Simultaneous fourth-pole add on				60°	

Components

Enclosure	Switch disconnector	Handle included with GAZ...
GAZ1	GD025AT2	GAX61
GAZ2	GD032AT3	GAX61
GAZ2	GD040AT4	GAX61

GAZ1B	GD025AT2	GAX61B
GAZ2B	GD032AT3	GAX61B
GAZ2B	GD040AT4	GAX61B

① For further details contact our Technical support; see contact details on inside front cover.

General characteristics

- Enclosure material: ABS
- Possible accessories to mount afterwards, if any required:
 - GAX30 to provide shielded cable connection continuity (e.g. with static converters)
- Padlockable handles
- Sealable cover
- Tightening torque for cover screws:
 - GAZ025...: 1.3Nm/16lb.in
 - Other types: 1.5Nm/13lb.in.
- Degree of protection: IP65
- Cable entry:
 - GAZ025... types: PG16/M25 and PG13.5/M20 knockouts
 - GAZ032... and GAZ040... types: PG16/M25 and PG29/M32 knockouts.

Certifications and compliance

Certifications obtained: EAC
Compliant with standards: IEC/EN/BS 60947-3, IEC/EN/BS 60947-1.

Switch disconnectors IEC/EN/BS GLD series



GLD...T2C3

new

Order code	IEC conventional free air thermal current Ith	IEC rated operational current Ie DCPV1			Qty per pkg	Wt [kg]
		800V [A]	1000V [A]	1500V [A]		
	[A]	[A]	[A]	[A]	n°	[kg]

Direct operating and door coupling versions.
Separately purchase the handle and shaft extension.

GLD0100T2C3	100	100	100	-	1	1.340
GLD0160T2C3	160	160	160	-	1	1.340
GLD0200T2C3	200	200	200	-	1	1.340
GLD0250T2C3	250	250	250	-	1	1.340
GLD0315T2C3	315	315	250	-	1	1.340
GLD0100T4C3	100	100	100	100	1	2.140
GLD0160T4C3	160	160	160	160	1	2.140
GLD0200T4C3	200	200	200	200	1	2.140
GLD0250T4C3	250	250	250	250	1	2.140
GLD0315T4C3	315	315	315	315	1	2.140

Selection of handles and accessories GLD series
Refer to the combinations given on page 14-56 and 57 for a correct choice based on the switch disconnector type used.

General characteristics

- Up to 315A 1500V DCPV1
- Up to 100A 1000V DCPV2 for GLD0315T2C3 and up to 125A 1500V DCPV2 for GLD0315T4C3
- Available versions:
 - Direct operating
 - Door coupling version. Use switch disconnector with direct actuator and separately purchase the handle and shaft extension for this version. See pages 14-56 and 57
- Screw or 35mm DIN rail fixing
- Padlockable in 0 position with no extra accessory.

Operational characteristics

- IEC rated insulation voltage Ui: 1000V for GLD...T2...; 1500V for GLD...T4...
- Mechanical life: 20,000 cycles.

Certifications and compliance

Certifications obtained: UL Listed for GLD...UL.
Compliant with standards: IEC/EN/BS 60947-1, IEC/EN/BS IEC/EN/BS 60947-3, UL98B.

Switch disconnectors UL98B GLD series

UL



GLD...T4C3UL

new

Order code	General purpose current		Qty per pkg	Wt [kg]
	1000V [A]	1500V [A]		
	[A]	[A]	n°	[kg]

Direct operating and door coupling versions.
Separately purchase the handle and shaft extension.

GLD0100T2C3UL	100	-	1	1.340
GLD0200T2C3UL	200	-	1	1.340
GLD0100T4C3UL	100	100	1	2.140
GLD0200T4C3UL	200	200	1	2.140

Switch disconnectors IEC/EN/BS GE series



GE...DT4

Order code	IEC conventional free air thermal current Ith	IEC rated operational current Ie DC21B ①			Qty per pkg	Wt [kg]
		220V [A]	800V [A]	1000V [A]		
	[A]	[A]	[A]	[A]	n°	[kg]

Direct operating and door coupling versions.
Separately purchase the handle and shaft extension.

GE0630DT4	630	630	600	500	1	4.500
GE0800DT4	800	800	630	630	1	4.500
GE1250DT4	1250	1250	1000	850	1	8.900

① Connection of 4 poles in series.

Selection of handles and accessories GE series
Refer to the combinations given on page 14-56 and 57 for a correct choice based on the switch disconnector type used.

General characteristics

- Up to 850A, 1000VDC
- Available versions:
 - Direct operating
 - Door coupling version. Use switch disconnector with direct actuator and separately purchase the handle and shaft extension for this version. See page 14-48
- Screw fixing
- Padlockable in 0 position with no extra accessory.

Operational characteristics

- IEC rated insulation voltage Ui: 1000V
- Mechanical life: 10,000 cycles.

Certifications and compliance

Certifications obtained: EAC.
Compliant with standards: IEC/EN/BS 60947-1, IEC/EN/BS 60947-3.

Summary table of combinations - Switch disconnectors for photovoltaic applications GL series



IEC/EN/BS



Type	IEC conventional free air thermal current I _{th}	IEC rated operational current I _e DCPV1			Direct operating handle	
		800V	1000V	1500V	Black	Red/Yellow
Order code	[A]	[A]	[A]	[A]	Order code	Order code
IEC/EN/BS switch disconnectors for photovoltaic applications.						
GLD0100T2C3	100	100	100	–	GLX61DB	GLX61D
GLD0160T2C3	160	160	160	–		
GLD0200T2C3	200	200	200	–		
GLD0250T2C3	250	250	250	–		
GLD0315T2C3	315	315	250	–		
GLD0100T4C3	100	100	100	160		
GLD0160T4C3	160	160	160	160		
GLD0200T4C3	200	200	200	200		
GLD0250T4C3	250	250	250	250		
GLD0315T4C3	315	315	315	315		

① Maximum conductor cross section: 120mm²/250kcmil.
Minimum conductor cross section: 16mm²/6AWG.



UL



Type	General purpose current	Direct operating handle			
		1000V	1500V	Black	Red/Yellow
Order code	[A]	[A]		Order code	Order code
UL98B switch disconnectors for photovoltaic applications.					
GLD0100T2C3UL	100	–		GLX61DB	GLX61D
GLD0200T2C3UL	200	–			
GLD0100T4C3UL	100	100			
GLD0200T4C3UL	200	200			

② Maximum conductor cross section: 152mm²/300kcmil.
Minimum conductor cross section: 16mm²/6AWG.

Summary table of combinations - Switch disconnectors for photovoltaic applications GE series



IEC/EN/BS



Type	IEC conventional free air thermal current I _{th}	IEC rated operational current I _e DC21B with 4 poles in series			Direct operating handle
		600V	800V	1000V	
Order code	[A]	[A]	[A]	[A]	Black
Switch disconnectors for photovoltaic applications.					
GE0630DT4	630	630	600	500	GEX67ND
GE0800DT4	800	700	630	630	
GE1250DT4	1250	1250	1000	850	GEX68ND

③ The motorised control unit cannot be installed.

14 Switch disconnectors

For photovoltaic applications



Door coupling handle		Shaft extensions for door coupling handles			Shaft alignment ring	Auxiliary contacts	Terminal covers	Phase barriers (standard supplied)	Terminal lugs	Bridging bars (standard supplied)	Captive nuts	
Black	Red/Yellow	Panel depth		Shaft section	Order code	Order code	Order code	Order code	Order code	Order code	Order code	
Order code	Order code	min [mm/in]	min [mm/in]	□ [mm/in]								
GLX61B	GLX61	GLX7150S10 GLX7200S10 GLX7300S10 GLX7400S10 GLX7500S10	124/4.88"	194/7.64" 244/9.61" 344/13.54" 444/17.48" 544/21.42"	10/0.4"	GLX00	GLX1001 (1NC) GLX1010EA (1EB)	GLX801 (4 pcs) GLX801 (4 pcs) GLDX800 (2 pcs)	- GLDX900 (2 pcs)	GLX500 (1 pcs)Ⓞ GLX501 (3 pcs)Ⓞ	- GLDX201 (2 pcs)	GLDX550 (4 pcs)



Door coupling handle		Shaft extensions for door coupling handles			Shaft alignment ring	Auxiliary contacts	Terminal covers	Phase barriers (standard supplied)	Terminal lugs	Bridging bars (standard supplied)	Captive nuts	
Black	Red/Yellow	Panel depth		Shaft section	Order code	Order code	Order code	Order code	Order code	Order code	Order code	
Order code	Order code	min [mm/in]	min [mm/in]	□ [mm/in]								
GLX61B	GLX61	GLX7150S10 GLX7200S10 GLX7300S10 GLX7400S10 GLX7500S10	124/4.88"	194/7.64" 244/9.61" 344/13.54" 444/17.48" 544/21.42"	10/0.4"	GLX00	GLX1001 (1NC) GLX1010EA (1EB)	GLX801 (4 pcs) GLX801 (4 pcs) GLDX800 (2 pcs)	- GLDX901 (2 pcs)	GLDX501 (4 pcs)Ⓞ	- GLDX201 (2 pcs)	GLDX550 (4 pcs)



Door coupling handle		Shaft extensions for door coupling handles			Auxiliary contacts	Terminal covers
Black	Red/Yellow	Panel depth		Shaft section	Order code	Order code
Order code	Order code	Order code	max [mm/in]	□ [mm/in]		
GEX67NB	GEX67N	GEX7195N GEX7345N GEX7535N	251/9.88" 401/15.79" 591/23.27"	14mm/0.6"	GEX1011 (1NO+1NC) GEX1022 (2NO+2NC)	GEX8121
GEX68NB	GEX68N	GEX7195N GEX7345N GEX7535N	267/10.51" 417/16.42" 607/23.90"			

14 Switch disconnectors

Dimensions [mm(in)]

GA SERIES - 16A TO 160A SWITCH DISCONNECTORS

Direct operating version

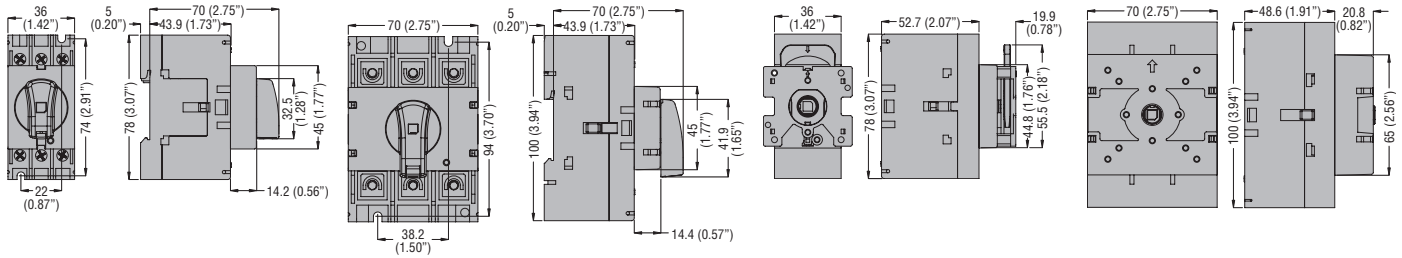
**GA016A...GA040A...
GA063SA...**

GA030A... - GA063A...GA160A...

Door mount version

**GA016C...GA040C
GA063SC**

GA030C - GA063C...GA160C



ADD-ON BLOCKS AND ACCESSORIES

For GA016A...GA040A..., GA063SA..., GA040D

Auxiliary contacts

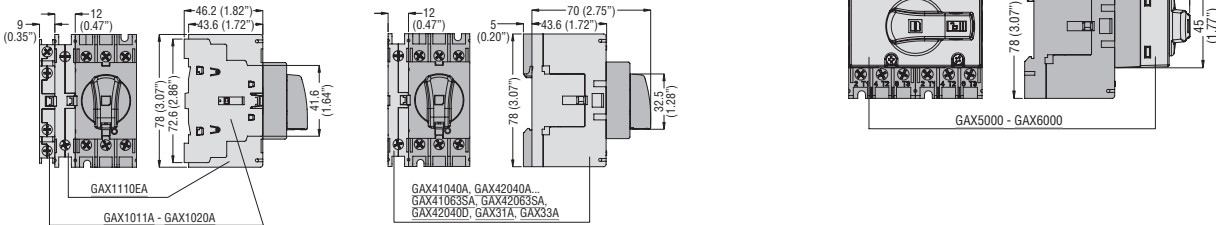
**GAX1011A
GAX1020A
GAX1110EA**

Fourth pole

**GAX41040A - GAX42040A
GAX41063SA - GAX42063SA**

Neutral **GAX31A** - earth/ground **GAX33A** terminals

Mechanical interlock **GAX5000** and mechanical coupling system **GAX6000**



For GA063A...GA160A

Auxiliary contacts

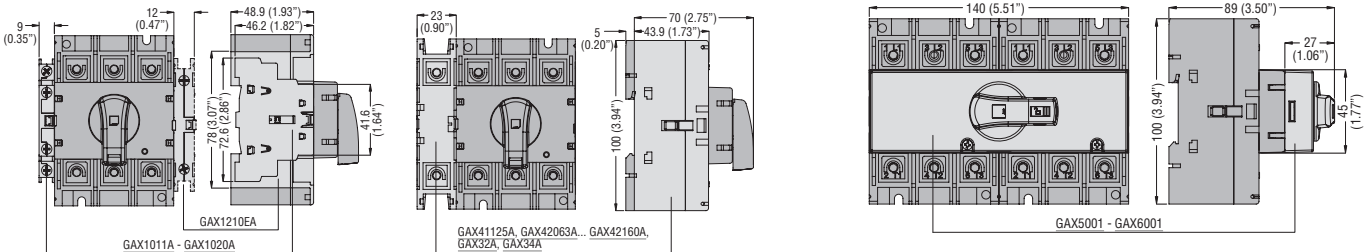
**GAX1011A
GAX1020A
GAX1210EA**

Fourth pole

**GAX41125A
GAX42063A...GAX42160A**

Neutral **GAX32A** - earth/ground **GAX34A** terminals

Mechanical interlock **GAX5001** and mechanical coupling system **GAX6001**



For GA016C...GA040C and GA063SC

Auxiliary contacts

GAX1011C

Fourth pole **GAX41040C - GAX42040C** and **GAX42063C**

Neutral **GAX31C**

Earth/ground **GAX33C** terminals

For GA063C...GA160C

Auxiliary contacts

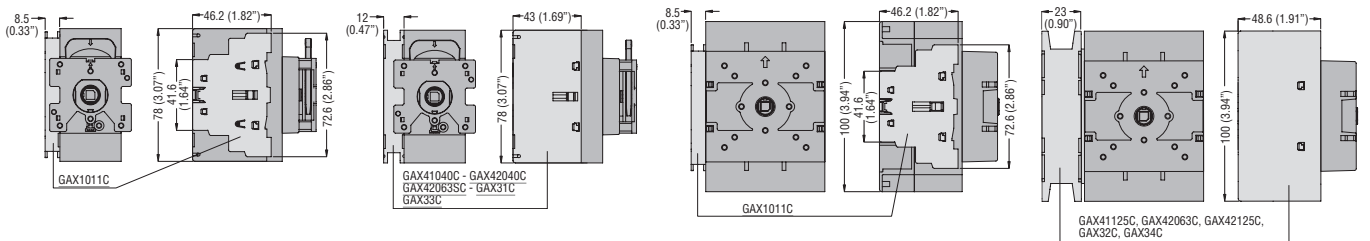
GAX1011C

Fourth pole **GAX41125C - GAX42063C...**

GAX42160C

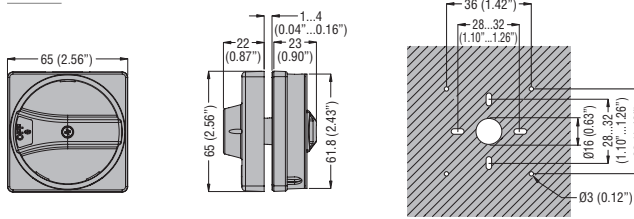
Neutral **GAX32C**

Earth/ground **GAX34C** terminals

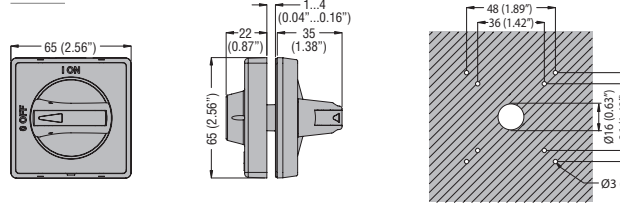


Handles

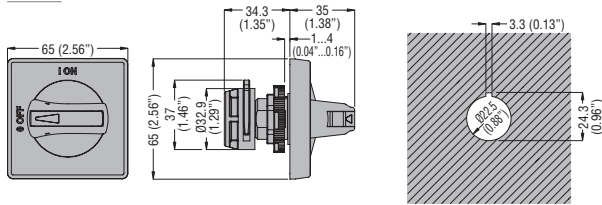
GAX61/61B



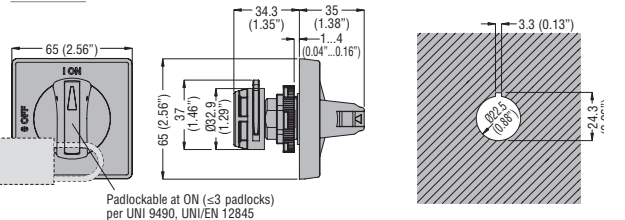
GAX62/62B



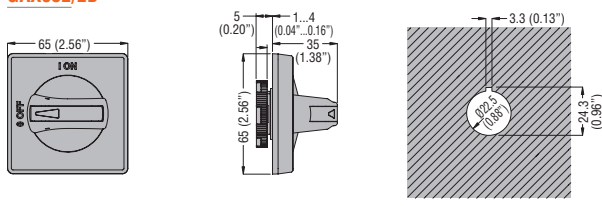
GAX63/63B/63K/63BK



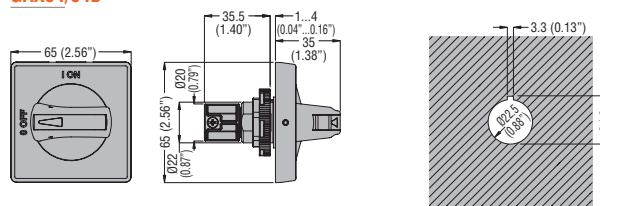
GAX631B



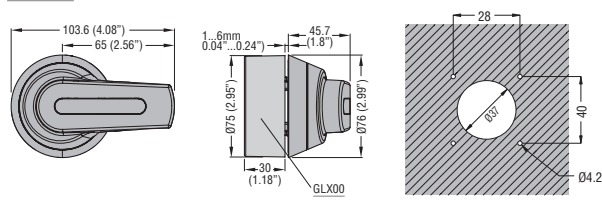
GAX632/2B



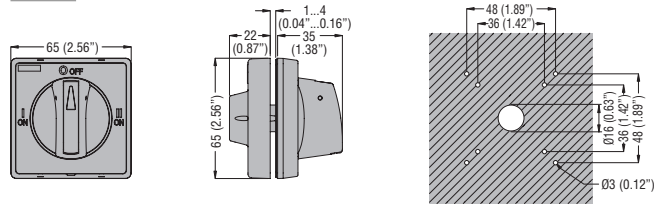
GAX64/64B



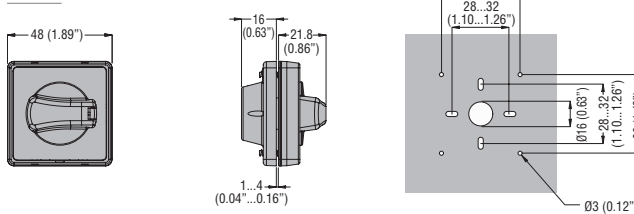
GAX66N/66NB



GAX67B

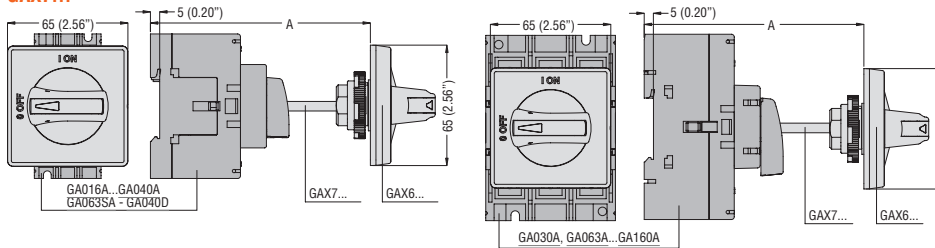


GAX68/68B



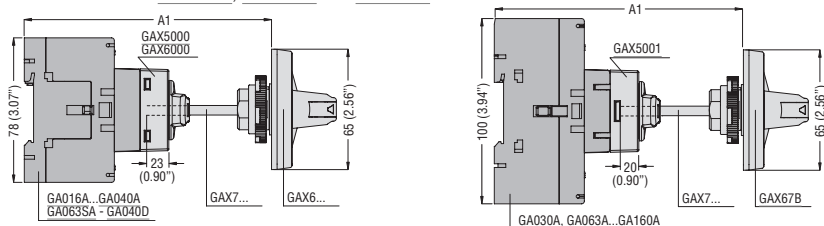
Shaft extensions for door coupling handles

GAX7...



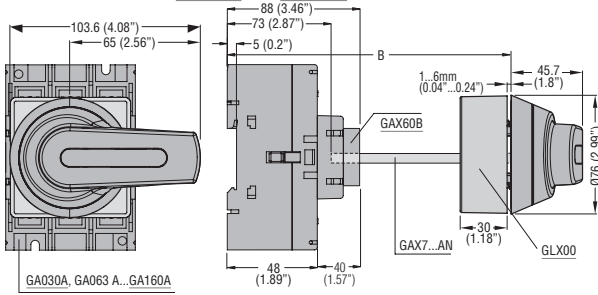
Extension	Length [mm (in)]	A [mm (in)] maximum					
		Type of handle					
		GAX61...	GAX62...	GAX63...	GAX64...	GAX67B	GAX68...
GAX7055	55 (2.16)	99 (3.90)	97 (3.82)	102 (4.01)	116 (4.57)	97 (3.82)	98.5 (3.88)
GAX7070	70 (2.75)	114 (4.49)	112 (4.41)	117 (4.61)	131 (5.16)	112 (4.41)	113.5 (4.47)
GAX7090	90 (3.54)	134 (5.27)	132 (5.20)	137 (5.39)	151 (5.94)	132 (5.20)	133.5 (5.25)
GAX7150	150 (5.90)	194 (7.64)	192 (7.56)	197 (7.75)	211 (8.31)	192 (7.56)	193.5 (7.62)
GAX7200	200 (7.87)	244 (9.61)	242 (9.53)	247 (9.72)	261 (10.27)	242 (9.53)	243.5 (9.59)
GAX7300	300 (11.81)	344 (13.54)	342 (13.46)	347 (13.66)	361 (14.21)	342 (13.46)	343.5 (13.52)
GAX7400	400 (15.75)	444 (17.48)	442 (17.40)	447 (17.60)	461 (18.15)	442 (17.40)	443.5 (17.46)
GAX7500	500 (19.68)	544 (21.42)	542 (21.34)	547 (21.53)	561 (22.09)	542 (21.34)	543.5 (21.40)

GAX7... used with GAX5000, GAX5001 and GAX6000

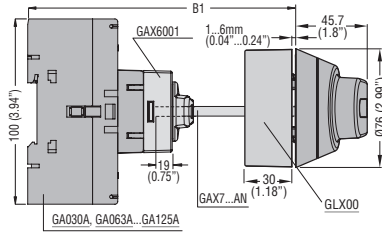


Extension	Length [mm (in)]	A1 [mm (in)] maximum					
		Used with GAX6000		Type of handle			
		GAX61...	GAX62...	GAX63...	GAX64...	GAX68...	GAX67B
GAX7055	55 (2.16)	116 (4.57)	114 (4.49)	119 (4.68)	133 (5.24)	115.5 (4.55)	114 (4.49)
GAX7070	70 (2.75)	131 (5.16)	129 (5.08)	134 (5.27)	148 (5.83)	130.5 (5.14)	129 (5.08)
GAX7090	90 (3.54)	151 (5.94)	149 (5.87)	154 (6.06)	168 (6.61)	150.5 (5.92)	149 (5.87)
GAX7150	150 (5.90)	211 (8.31)	209 (8.23)	214 (8.42)	228 (8.98)	210.5 (8.29)	209 (8.23)
GAX7200	200 (7.87)	261 (10.27)	259 (10.20)	264 (10.39)	278 (10.94)	260.5 (10.25)	259 (10.20)
GAX7300	300 (11.81)	361 (14.21)	359 (14.13)	364 (14.33)	378 (14.88)	360.5 (14.20)	359 (14.13)
GAX7400	400 (15.75)	461 (18.15)	459 (18.07)	464 (18.27)	468 (18.42)	460.5 (18.13)	459 (18.07)
GAX7500	500 (19.68)	561 (22.09)	559 (22.01)	564 (22.20)	578 (22.75)	560.5 (22.07)	559 (22.01)

GAX7...AN used with GAX60B and GAX66N/66NB



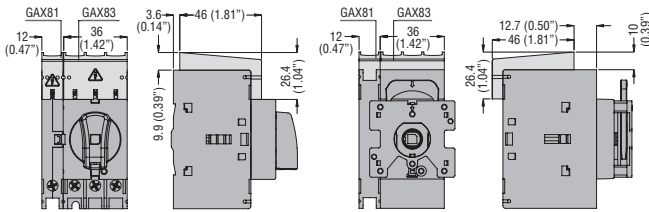
GAX7...AN used with GAX6001 and GAX66N/66NB



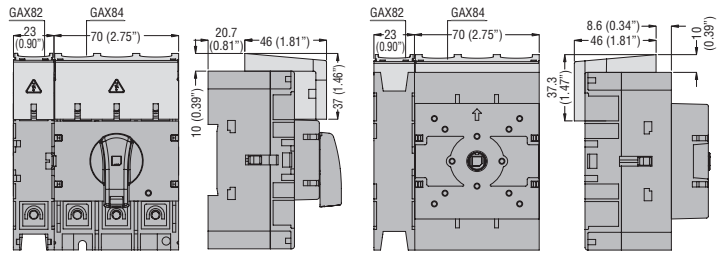
Extension	Length	B	
		with GAX66N/66NB handle	
	[mm(in)]	[mm(in)]	[mm(in)]
GAX7150AN	176 (7.00")	120...226 (4.72"...9.00")	120...223 (4.72"...8.80")
GAX7200AN	228 (8.98")	120...276 (4.72"...10.87")	120...273 (4.72"...10.75")
GAX7300AN	328 (12.91")	120...376 (4.72"...14.80")	120...373 (4.72"...14.68")
GAX7400AN	428 (16.85")	120...476 (4.72"...18.74")	120...473 (4.72"...18.62")
GAX7500AN	528 (20.79")	120...576 (4.72"...22.68")	120...573 (4.72"...22.56")

Terminal covers

GAX81 - GAX83

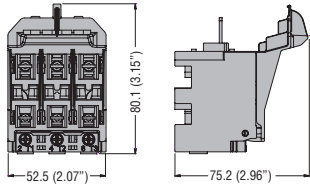


GAX82 - GAX84



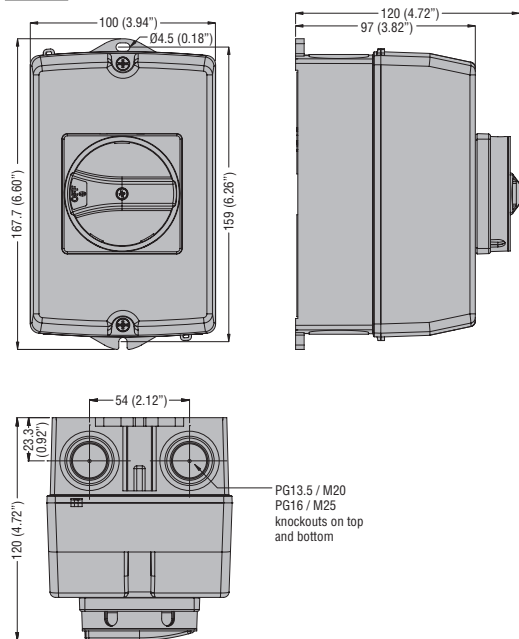
Fuse holder

GAX391 - GAX391UL

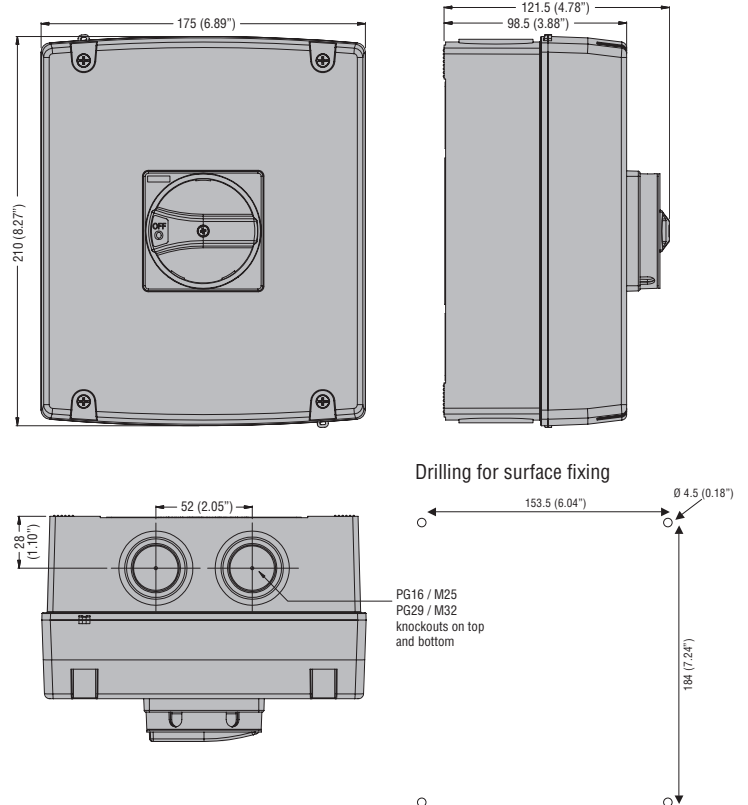


ENCLOSED SWITCH DISCONNECTORS AND EMPTY ENCLOSURES

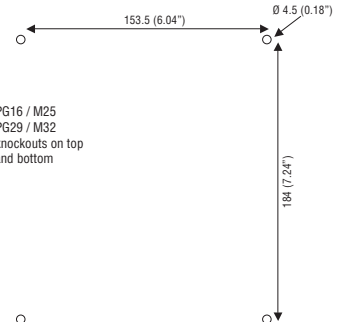
**GAZ016...GAZ040...
GAZ016...GAZ040...UL
GAZ1... - GAZ1...UL
GAZ025D...**



**GAZ063SA...GAZ100C...
GAZ063SAUL...
GAZ2... - GAZ2...UL**



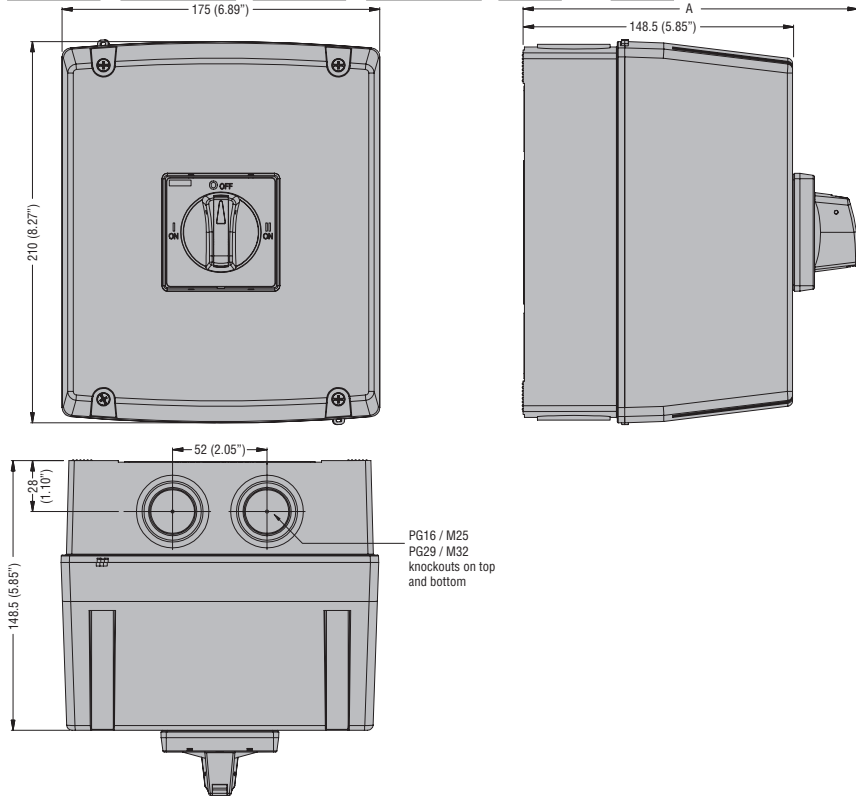
Drilling for surface fixing



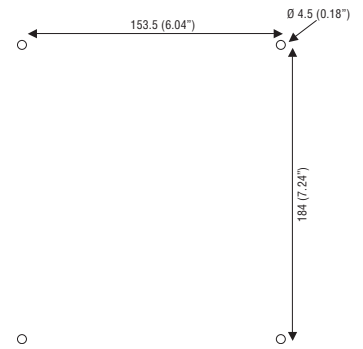
14 Switch disconnectors

Dimensions [mm(in)]

GAZ025ET6...GAZ063SAET6 - GAZ025ET8...GAZ063SAET8 - GAZ032D... - GAZ040D...

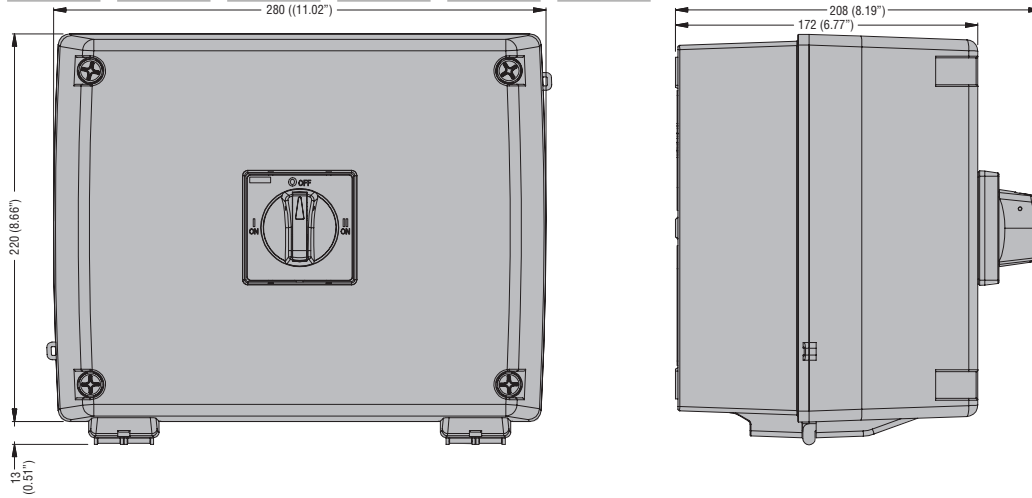


Drilling

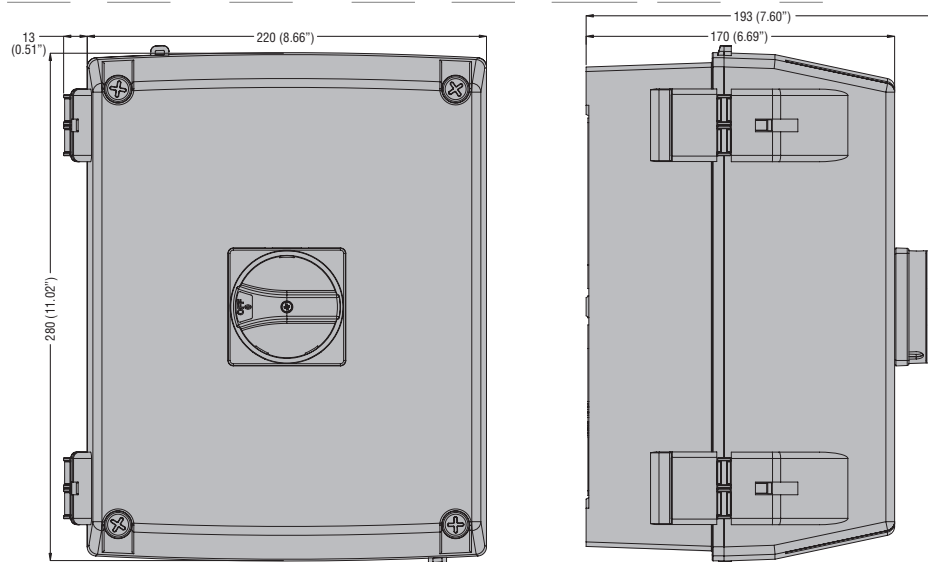


Type	A
GAZ032D...	171.5 (6.75")
GAZ040D...	171.5 (6.75")
GAZ025ET...	183.5 (7.22")
GAZ063SAET...	183.5 (7.22")

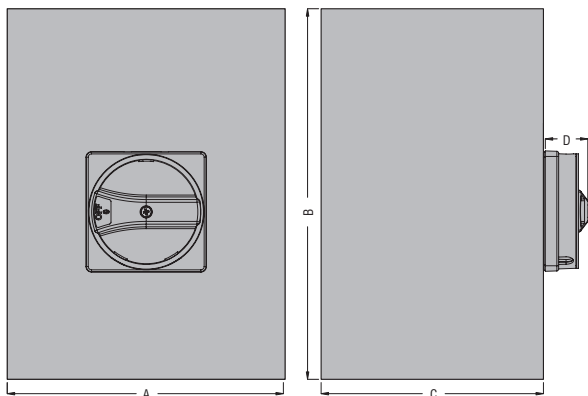
GAZ080ET6 - GAZ125ET6 - GAZ160ET6 - GAZ080ET8 - GAZ125ET8 - GAZ160ET8



GAZ125... - GAZ063...UL - GAZ125...UL - GAZ125... - GAZ160... - GAZ080UL...GAZ125...UL - GAZ3...

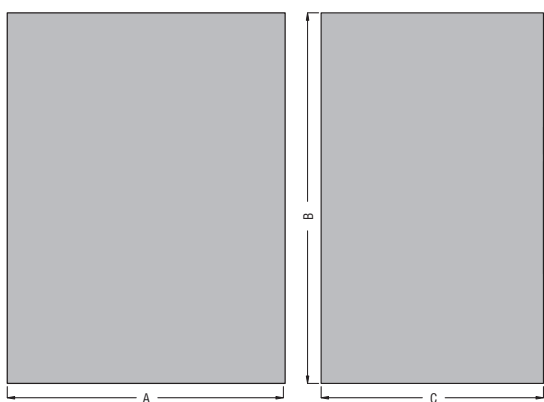


SWITCH DISCONNECTORS AND MANUAL CHANGEOVER SWITCHES IN METAL AND STAINLESS STEEL AISI 304 ENCLOSURES



Type	A	B	C	D
GAZM016...GAZM100...	150 (5.90")	200 (7.87")	120 (4.72")	23 (0.90")
GAZM125...GAZM160...	200 (7.87")	300 (11.81")	120 (4.72")	23 (0.90")
GAZM016E...GAZM063SAE...	150 (5.90")	200 (7.87")	120 (4.72")	35 (1.38")
GAZM063ET6...GAZM160ET6...	200 (7.87")	300 (11.81")	120 (4.72")	35 (1.38")
GAZM063ET8...GAZM160ET8...	300 (11.81")	400 (15.75")	120 (4.72")	35 (1.38")
GAZS016...GAZS100...	150 (5.90")	200 (7.87")	120 (4.72")	23 (0.90")
GLZM0160...GLZM0315...	300 (11.81")	400 (15.75")	250 (9.84")	45.7 (1.80")
GLZM0160E...GLZM0315E...	300 (11.81")	400 (15.75")	250 (9.84")	45.7 (1.80")

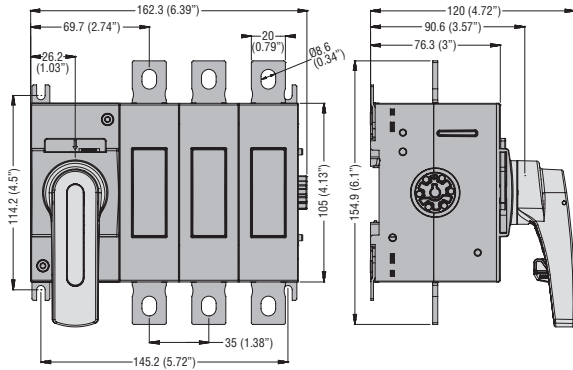
EMPTY METAL ENCLOSURES



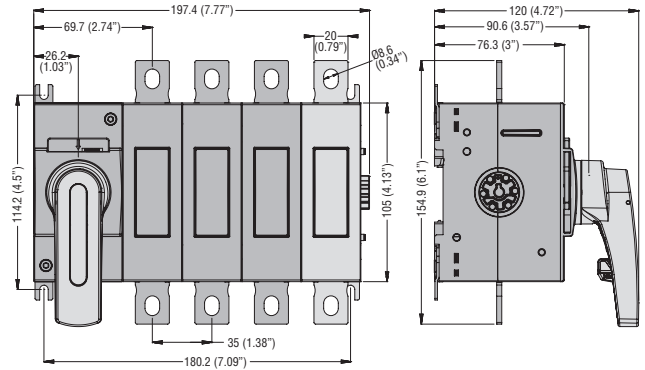
Type	A	B	C
GAZM1	150 (5.90")	200 (7.87")	120 (4.72")
GAZM2	200 (7.87")	300 (11.81")	120 (4.72")
GAZM3	300 (11.81")	400 (15.75")	120 (4.72")
GAZS1	150 (5.90")	200 (7.87")	120 (4.72")
GLZM1	300 (11.81")	400 (15.75")	250 (9.84")

GL SERIES 100A TO 1000A SWITCH DISCONNECTORS

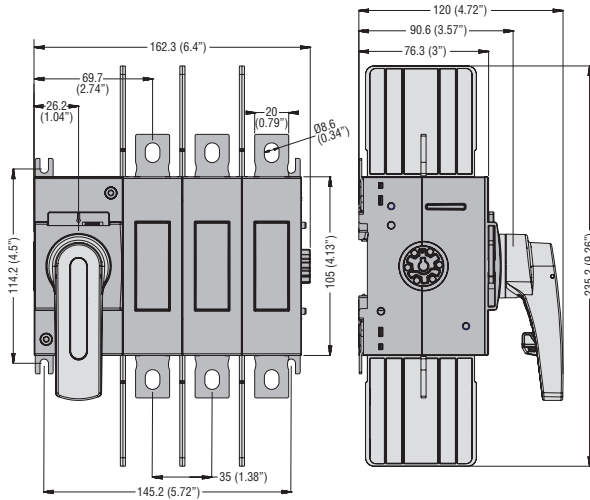
GL0160C1...GL0315C1



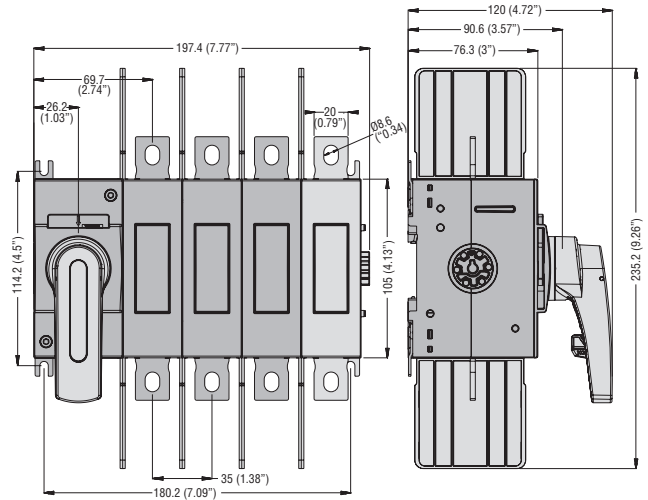
GL0160C1...GL0315C1 with add-on fourth pole GLX420315



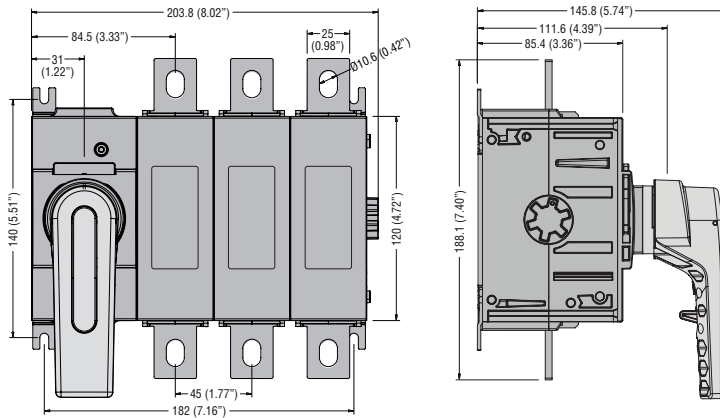
GL0100C1UL - GL0200C1UL



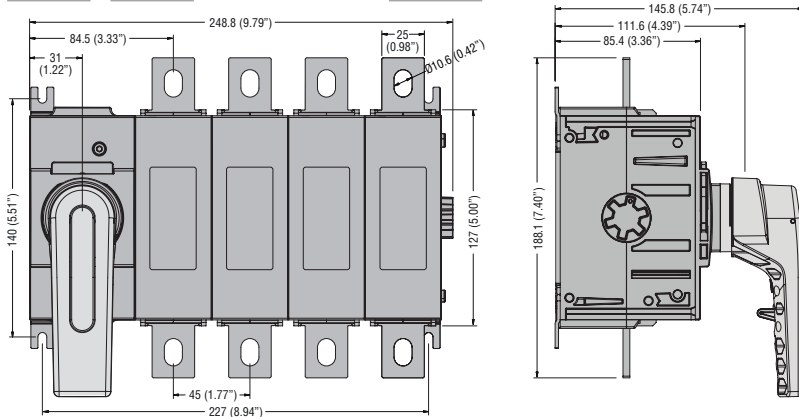
GL0100C1UL - GL0200C1UL with add-on fourth pole GLX420100UL - GLX420200UL



GL0320C1...GL0500C1



GL0320C1...GL0500C1 with add-on fourth pole GLX420320...0500

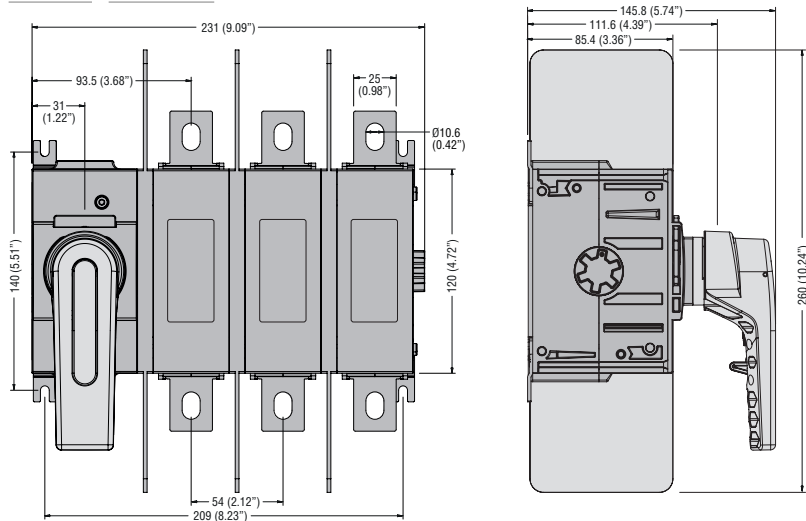


14 Switch disconnectors

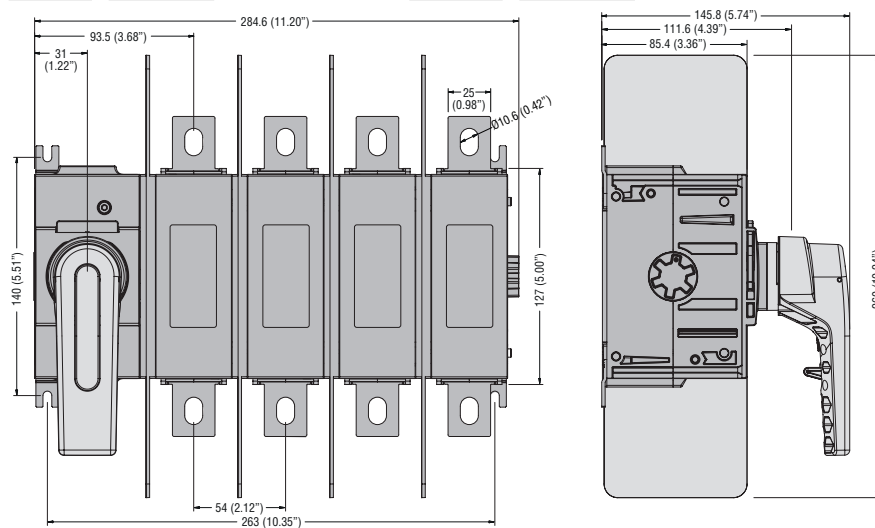
Dimensions [mm(in)]

INDEX

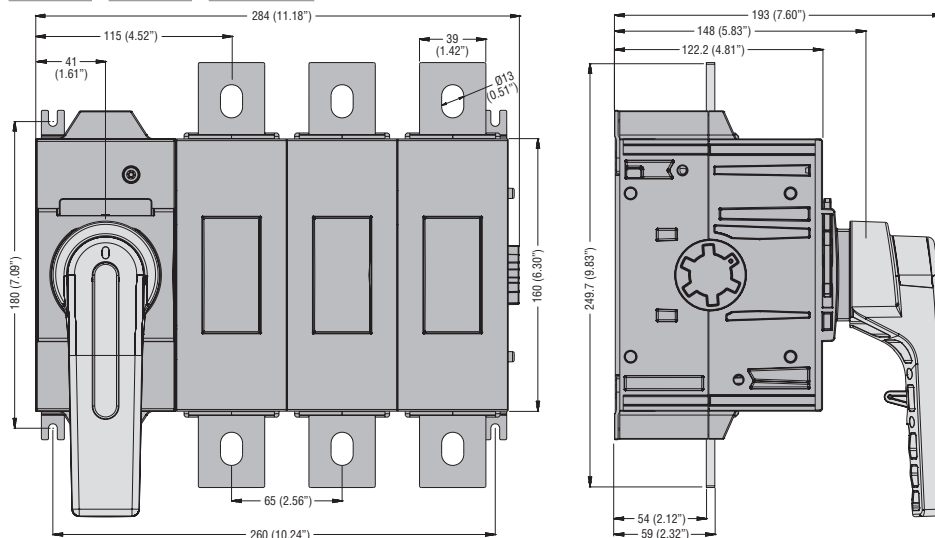
GL0630C1 - GL0400C1UL



GL0630C1 - GL0400C1UL with add-on fourth pole GLX420630 - GLX420400UL



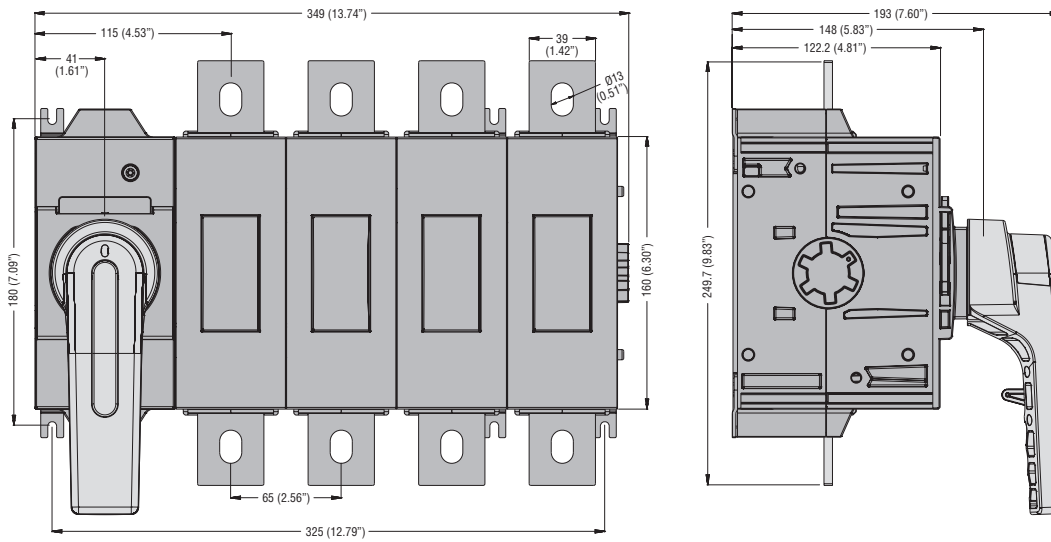
GL0631C1 - GL0800C1 - GL0600C1UL



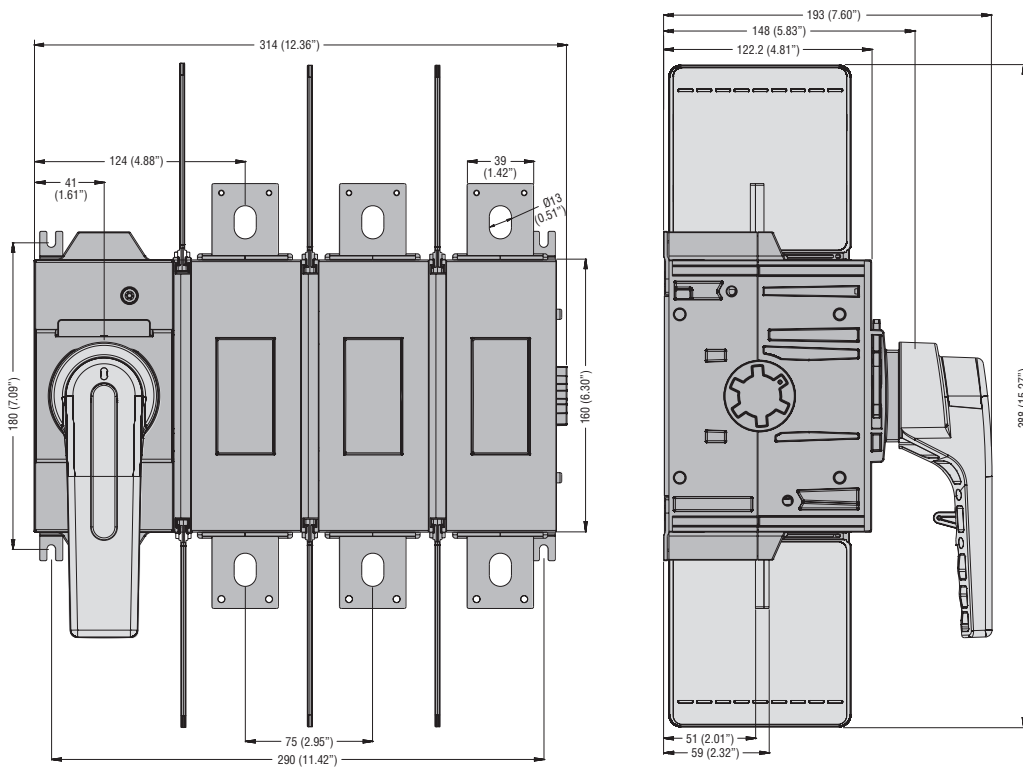
14 Switch disconnectors

Dimensions [mm(in)]

GL0631C1 - GL0800C1 with add-on fourth pole **GLX420631 - GLX420800**
GL0600C1UL with add-on fourth pole **GLX420600UL**



GL1000C1 - GL0800C1UL

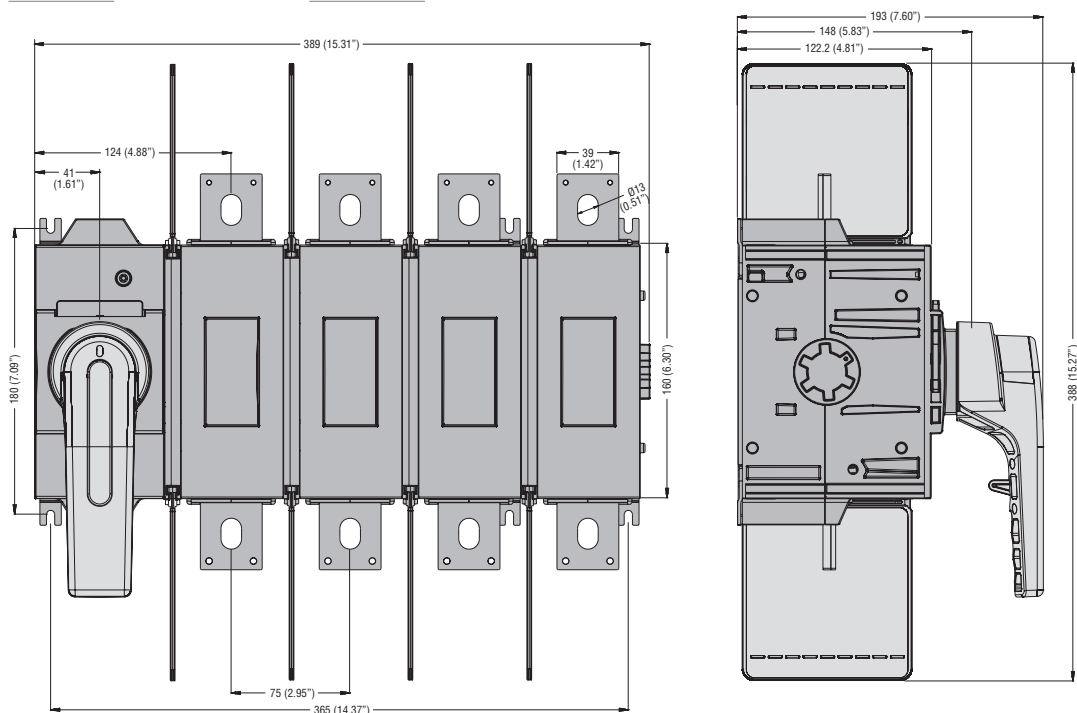


14 Switch disconnectors

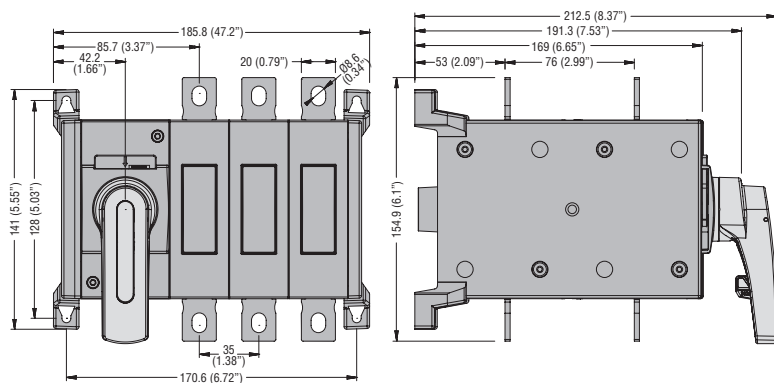
Dimensions [mm(in)]

INDEX

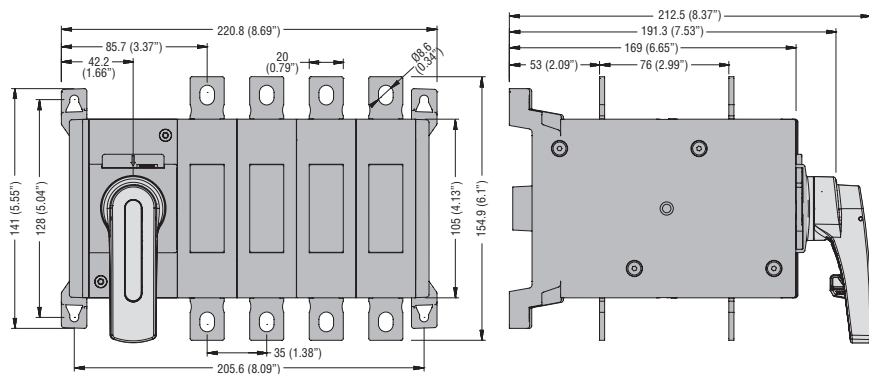
GL1000C1 with add-on fourth pole **GLX421000**
GL0800C1UL with add-on fourth pole **GLX420800UL**



GLC0160C1...GLC0315C1



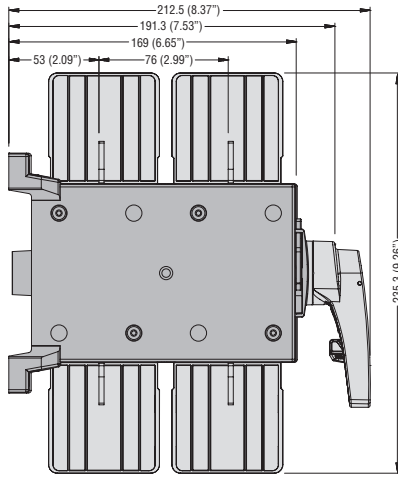
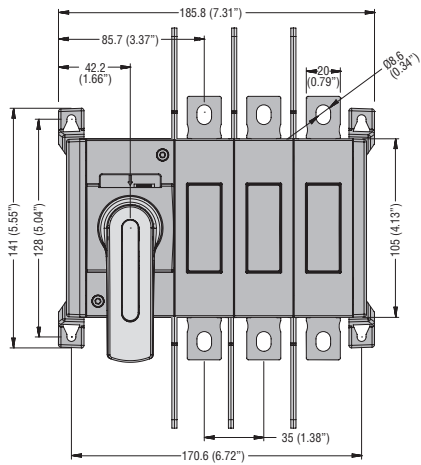
GLC0160T4C1...GLC0315T4C1



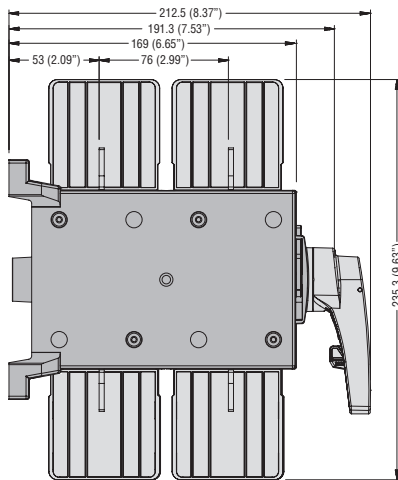
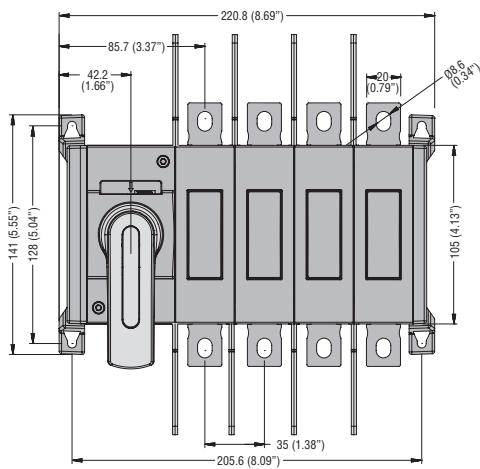
14 Switch disconnectors

Dimensions [mm(in)]

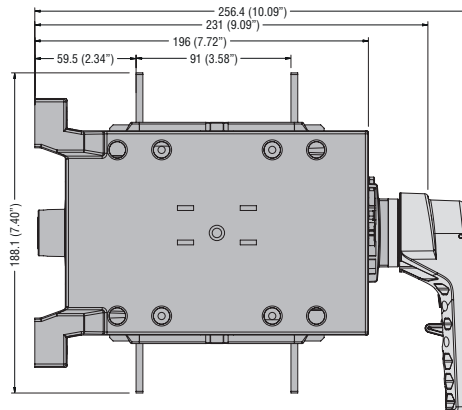
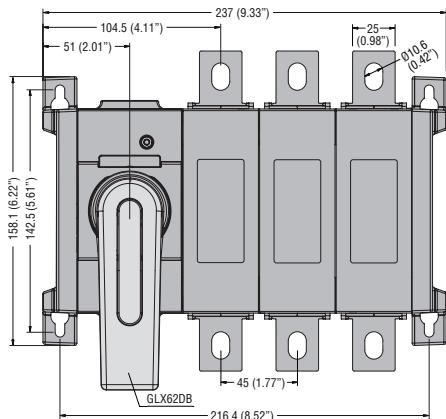
GLC0100C1UL - GLC0200C1UL



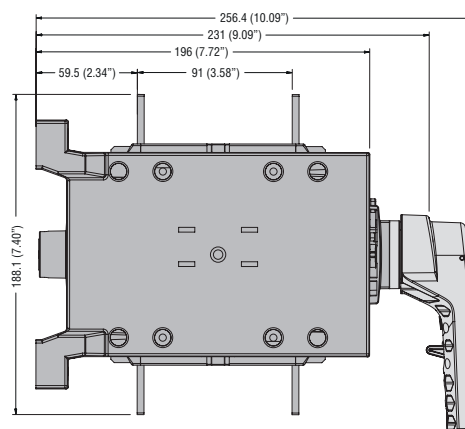
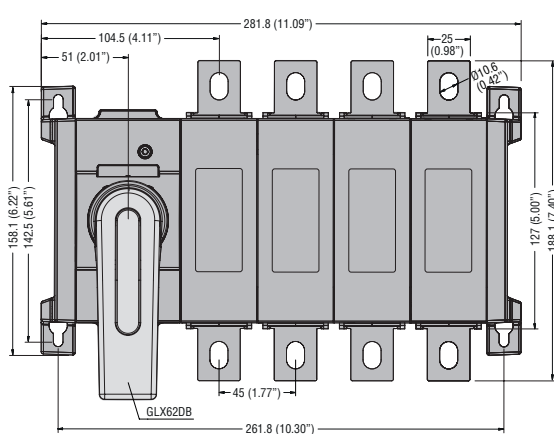
GLC0100T4C1UL - GLC0200T4C1UL



GLC0320C1...GLC0500C1



GLC0320T4C1...GLC0500T4C1

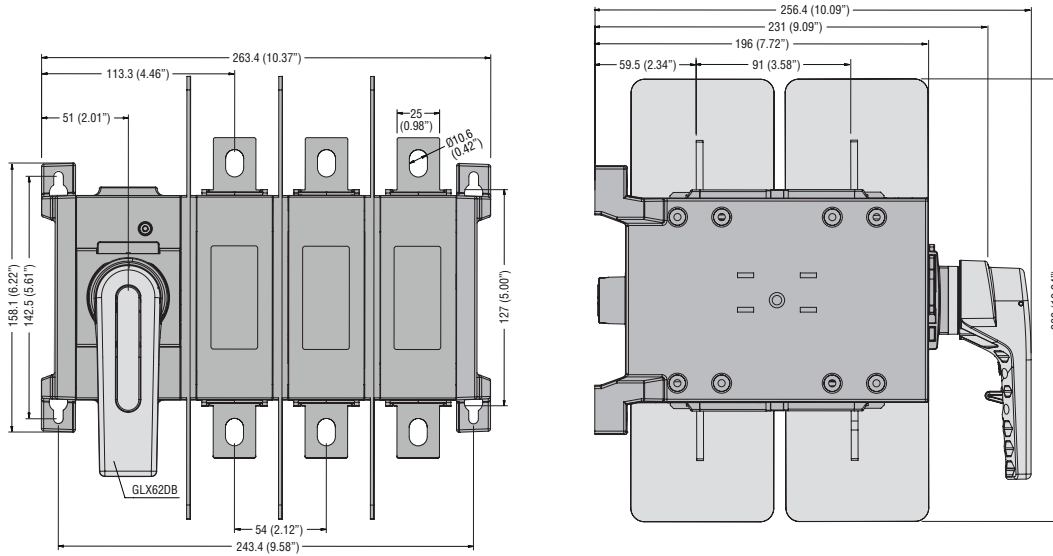


14 Switch disconnectors

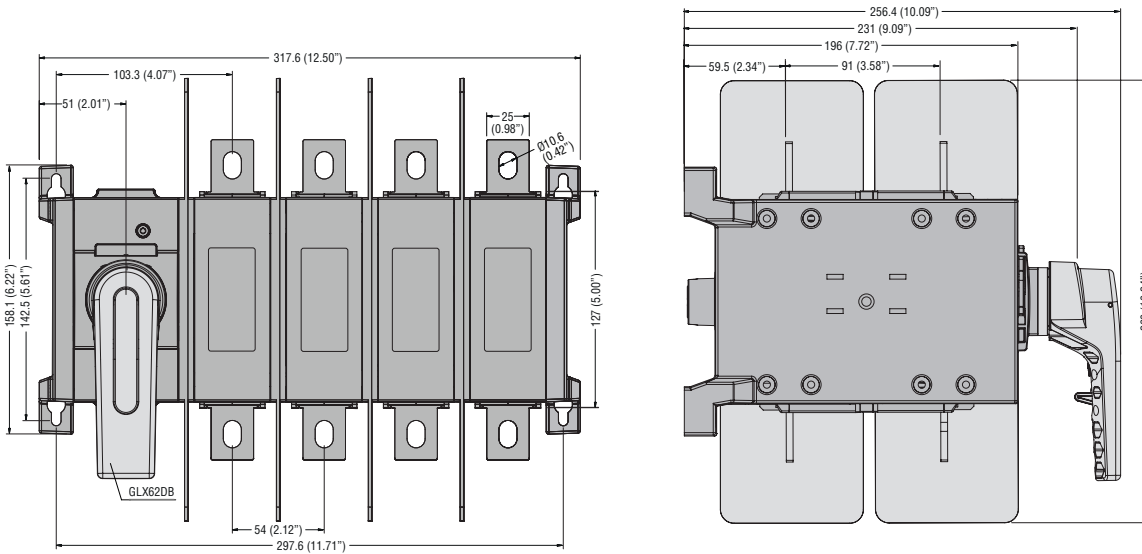
Dimensions [mm(in)]

INDEX

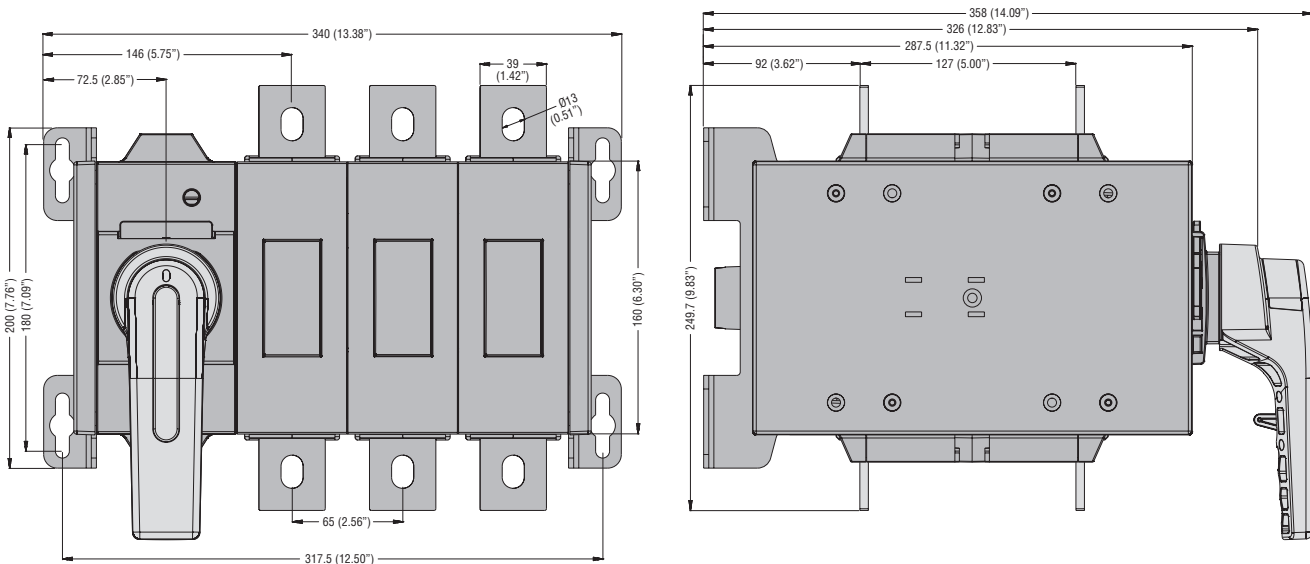
GLC0630C1 - GLC0400C1UL



GLC0630T4C1 - GLC0400T4C1UL



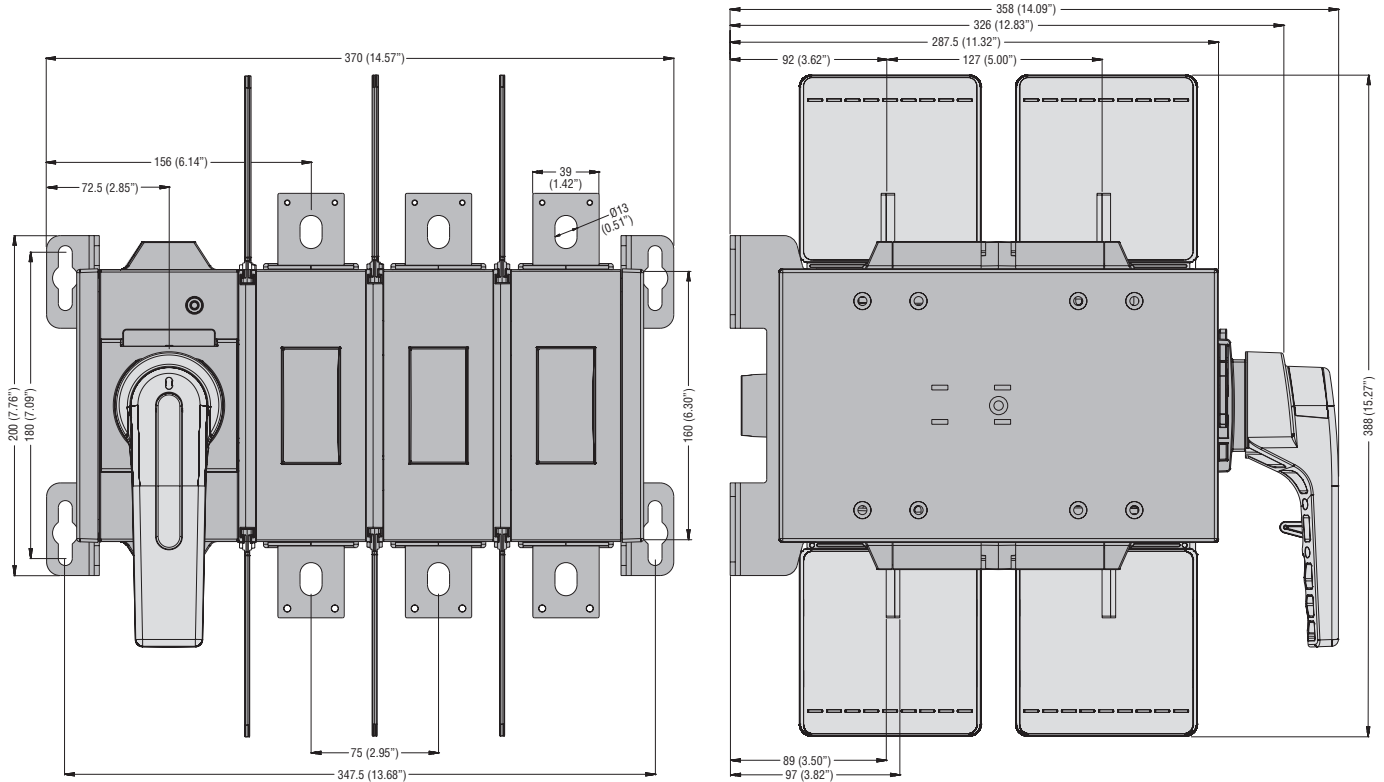
GLC0631C1 - GLC0800C1



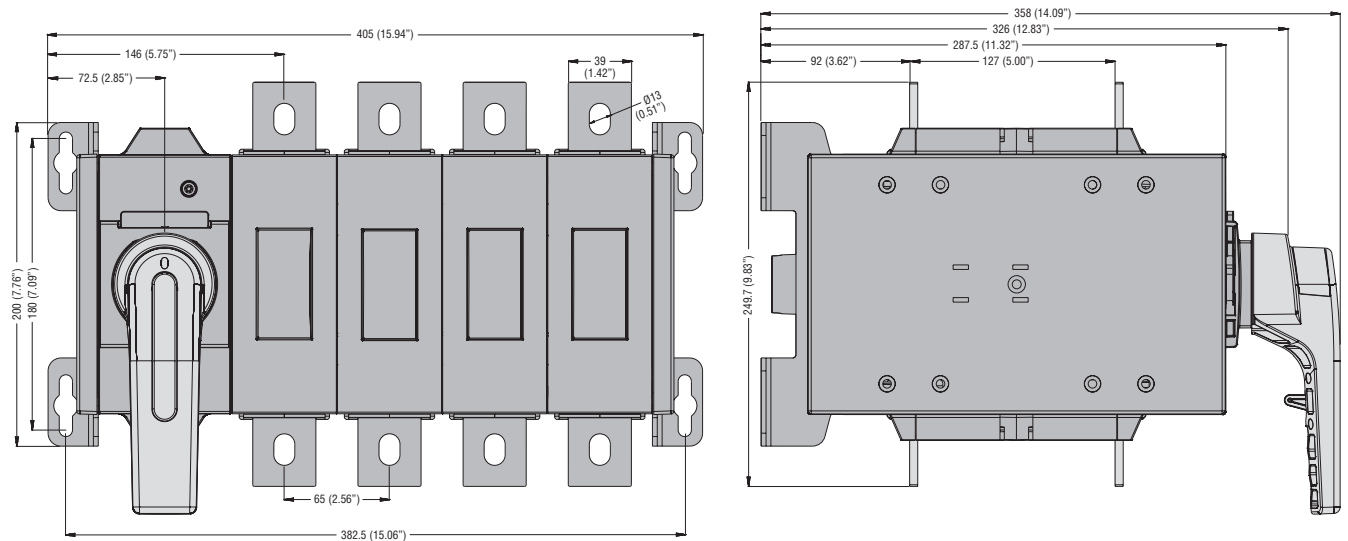
14 Switch disconnectors

Dimensions [mm(in)]

GLC1000C1



GLC0631T4C1 - GLC0800T4C1

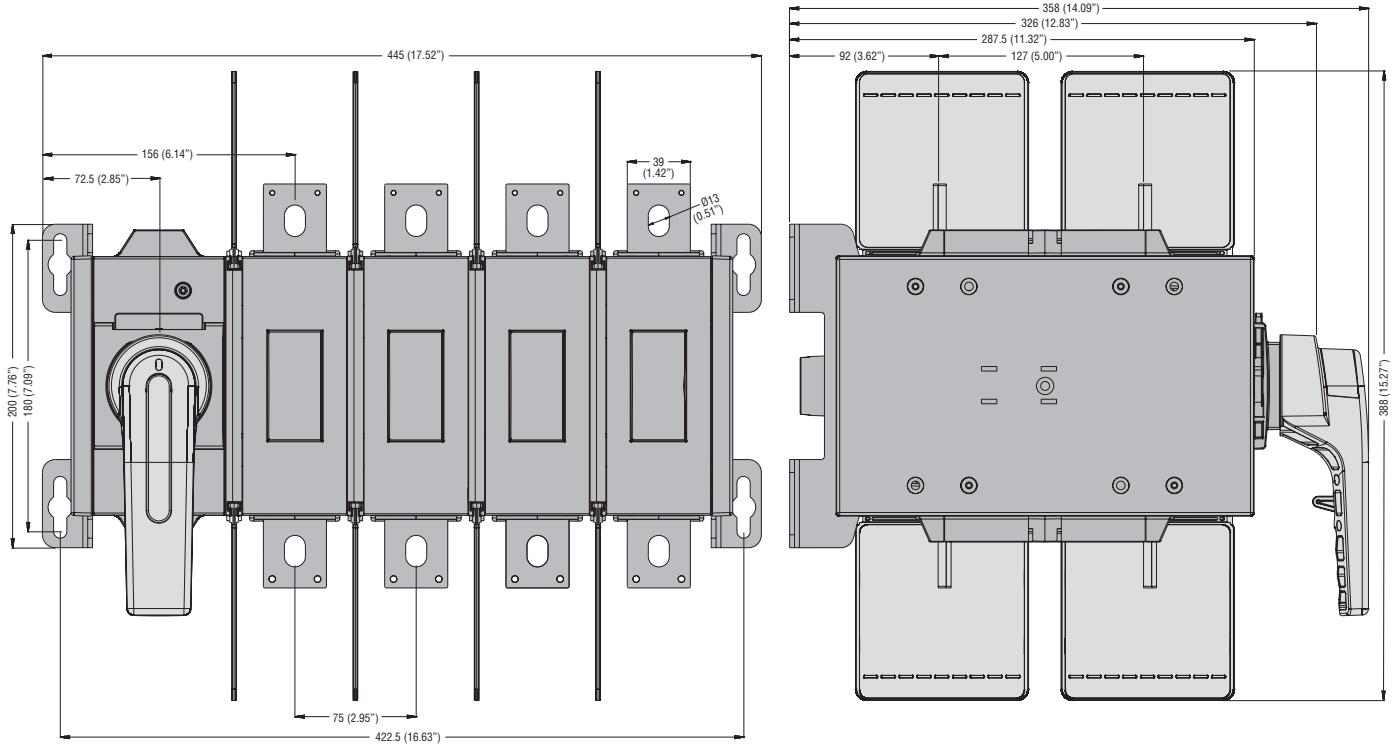


14 Switch disconnectors

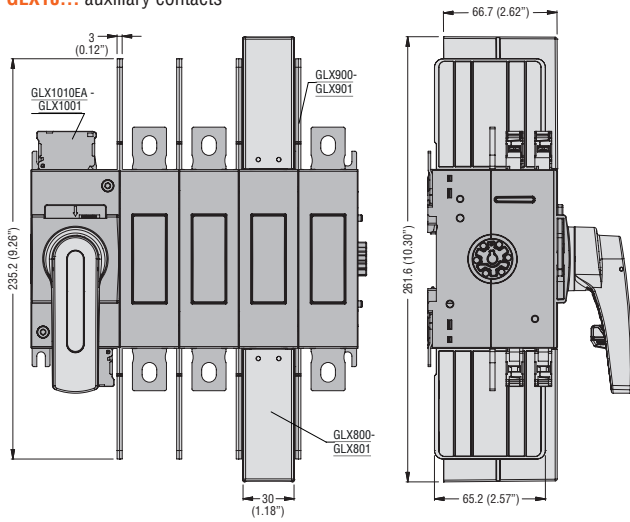
Dimensions [mm(in)]

INDEX

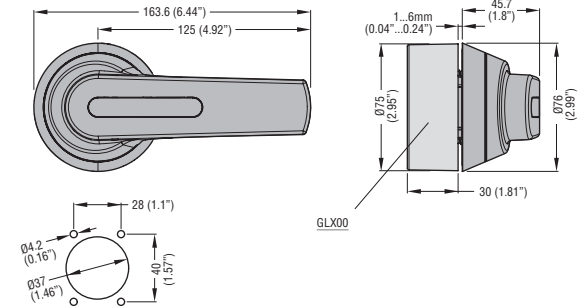
GLC1000T4C1



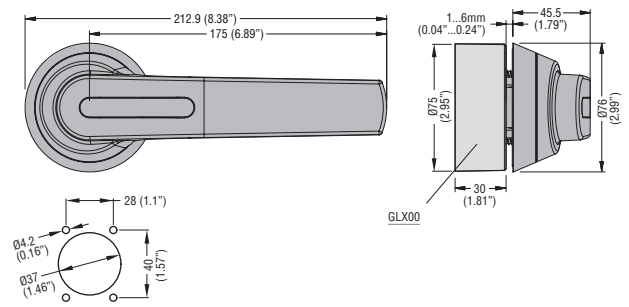
GLX800 - GLX801 terminal covers
GLX900 - GLX901 one-pole phase barrier
GLX10... auxiliary contacts



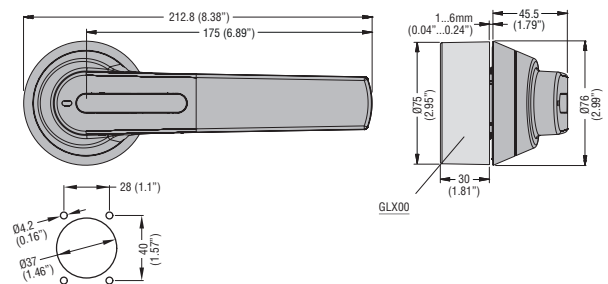
GLX61 - GLX61B - GLX61CB handles



GLX62 - GLX62B - GLX62CB handles



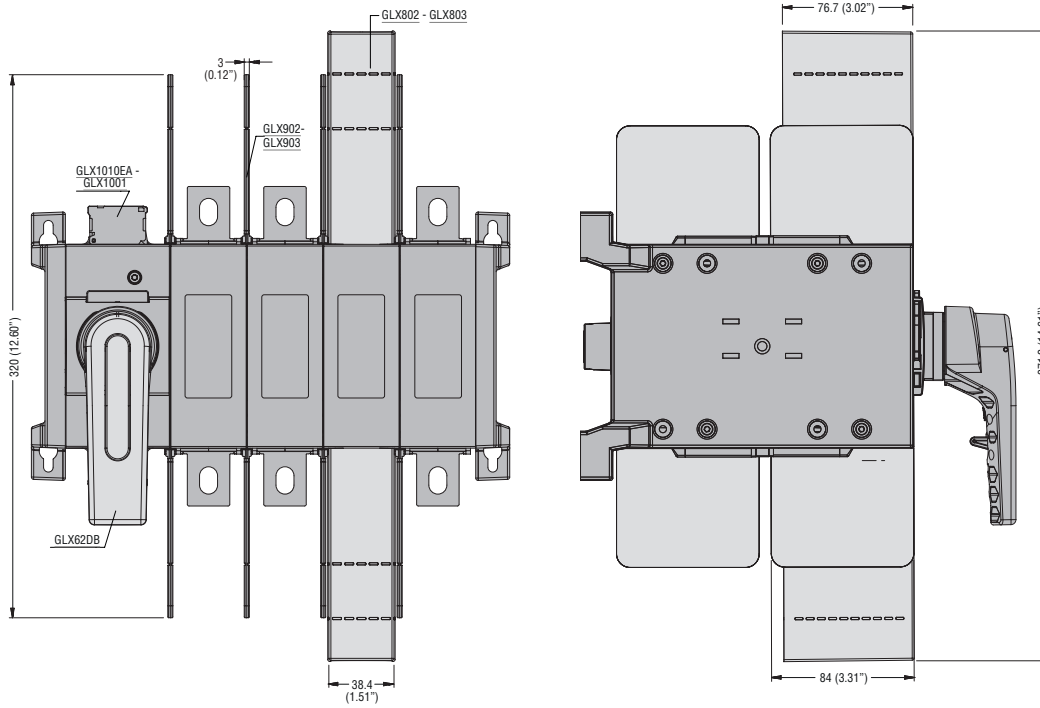
GLX63 - GLX63B - GLX63CB handles



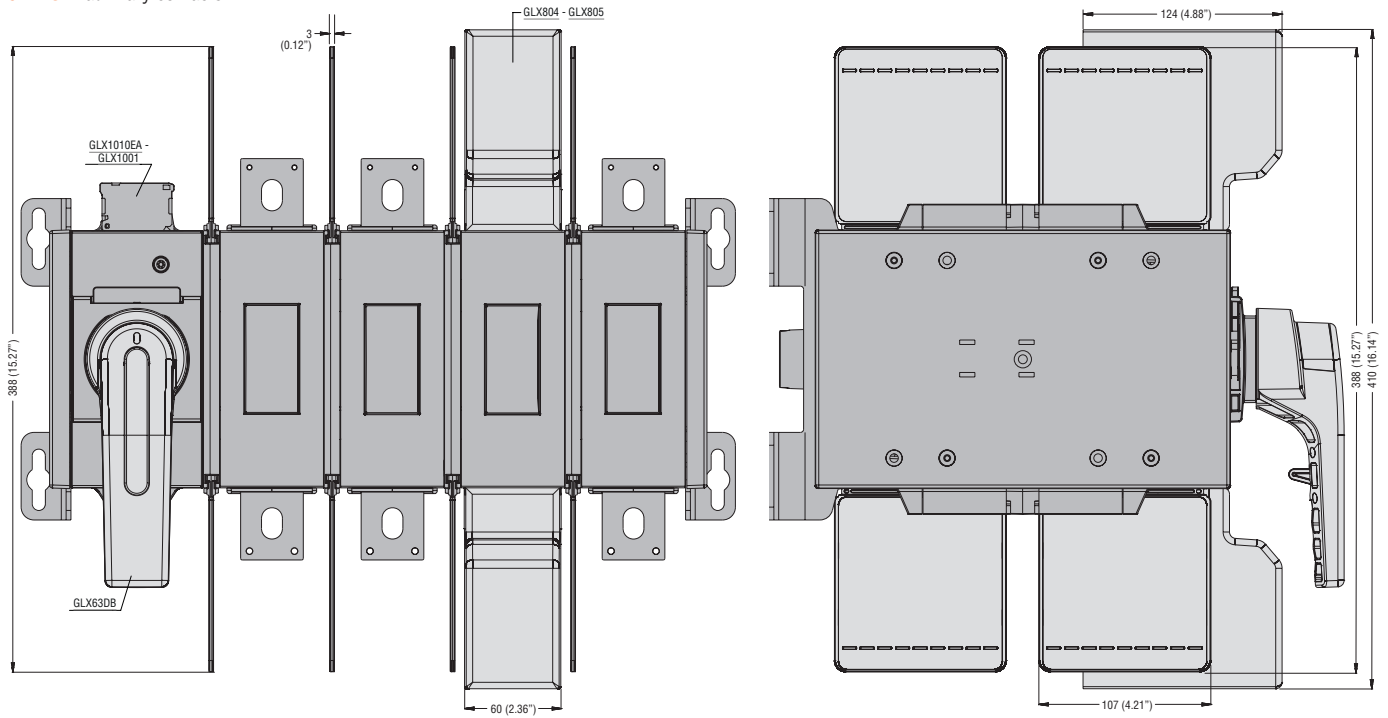
14 Switch disconnectors

Dimensions [mm(in)]

- GLX802 - GLX803 terminal covers
- GLX902 - GLX903 one-pole phase barrier
- GLX10... auxiliary contacts



- GLX804 - GLX805 terminal covers
- GLX904 - GLX905 one-pole phase barrier
- GLX10... auxiliary contacts

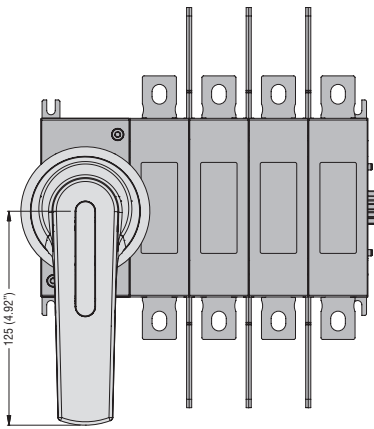


14 Switch disconnectors

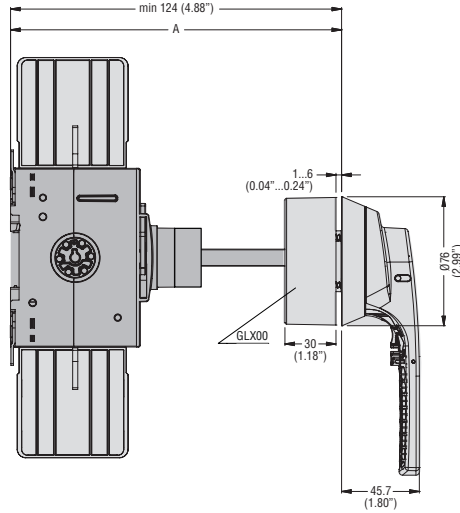
Dimensions [mm(in)]

INDEX

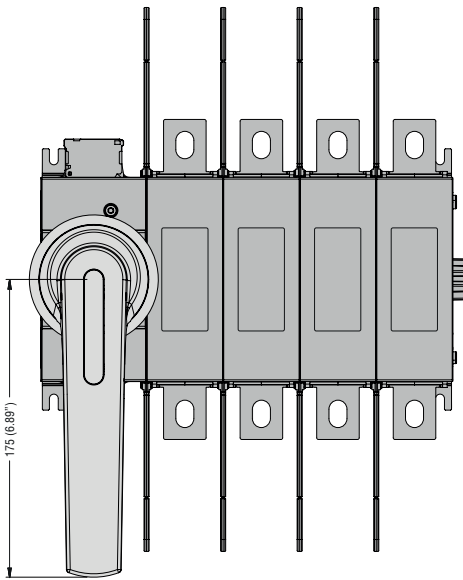
GLX7... shaft extensions for door coupling handles
 GLX00 shaft alignment ring



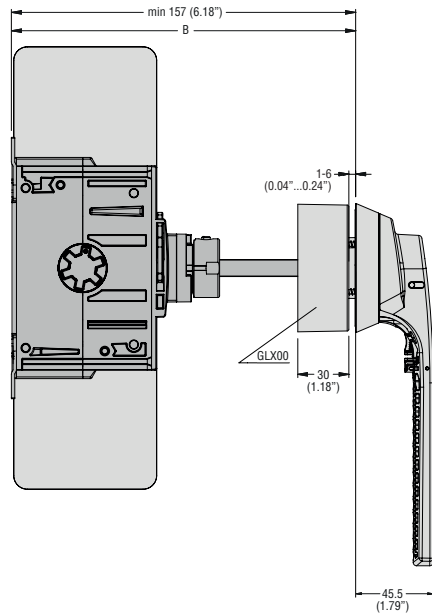
125 (4.92")



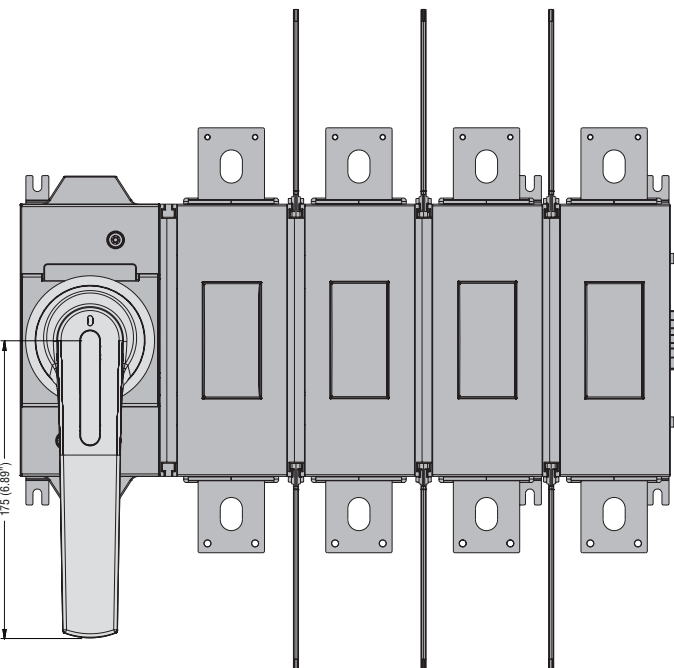
GLX7...S10	A mm (in)	
	min	max
GLX7150S10	124...194	(4.88...7.64")
GLX7200S10	124...244	(4.88...9.61")
GLX7300S10	124...344	(4.88...13.54")
GLX7400S10	124...444	(4.88...17.48")
GLX7500S10	124...544	(4.88...21.42")



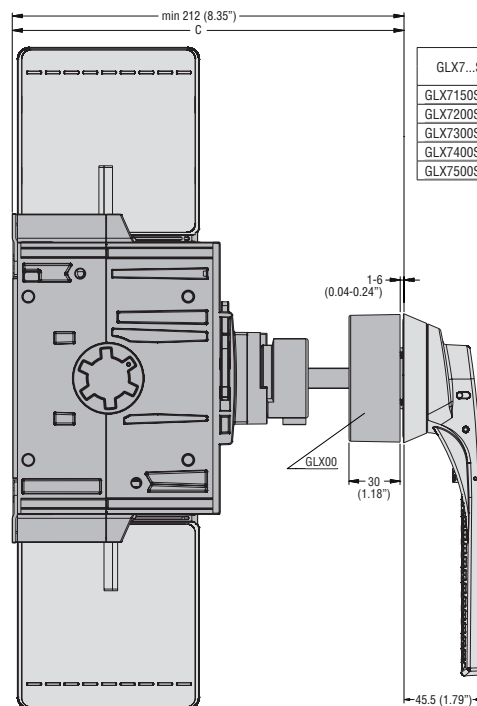
175 (6.89")



GLX7...S10	B mm (in)	
	min	max
GLX7150S10	157...227	(6.18...8.94")
GLX7200S10	157...277	(6.18...10.90")
GLX7300S10	157...377	(6.18...14.84")
GLX7400S10	157...477	(6.18...18.78")
GLX7500S10	157...577	(6.18...22.72")



175 (6.89")

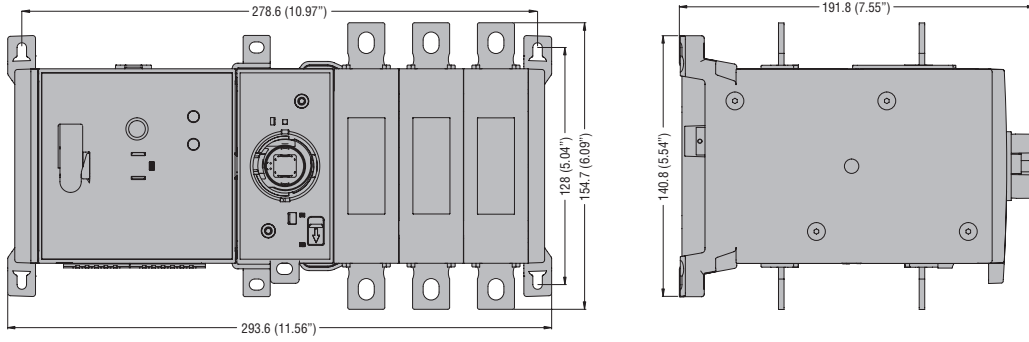


GLX7...S12	C mm (in)	
	min	max
GLX7150S12	212...232	(8.35...9.13")
GLX7200S12	212...282	(8.35...11.10")
GLX7300S12	212...382	(8.35...15.03")
GLX7400S12	212...482	(8.35...18.98")
GLX7500S12	212...582	(8.35...22.91")

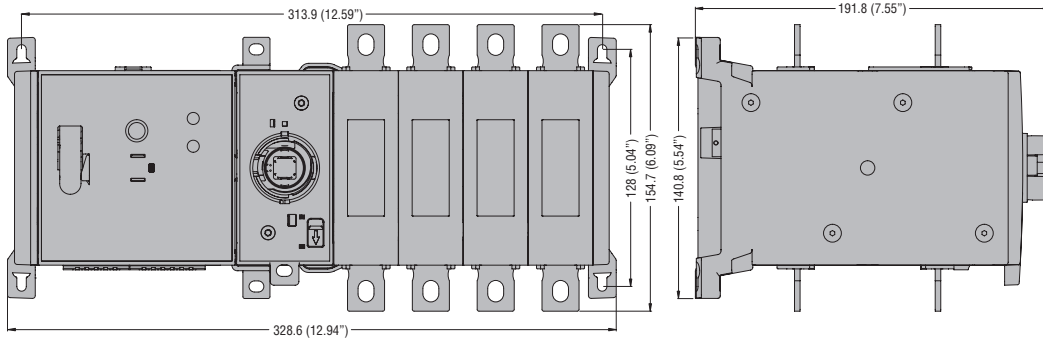
14 Switch disconnectors

Dimensions [mm(in)]

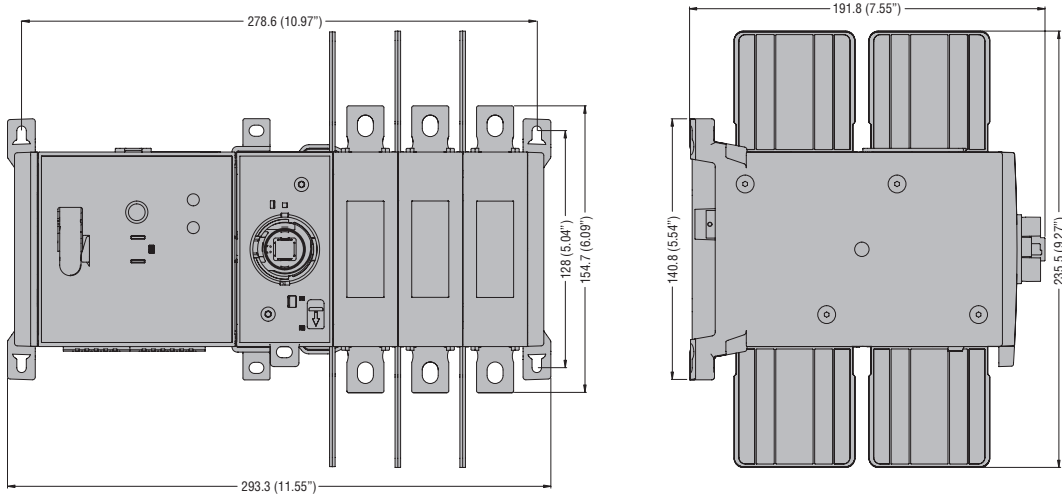
GLCMB0125...GLCMB0315...



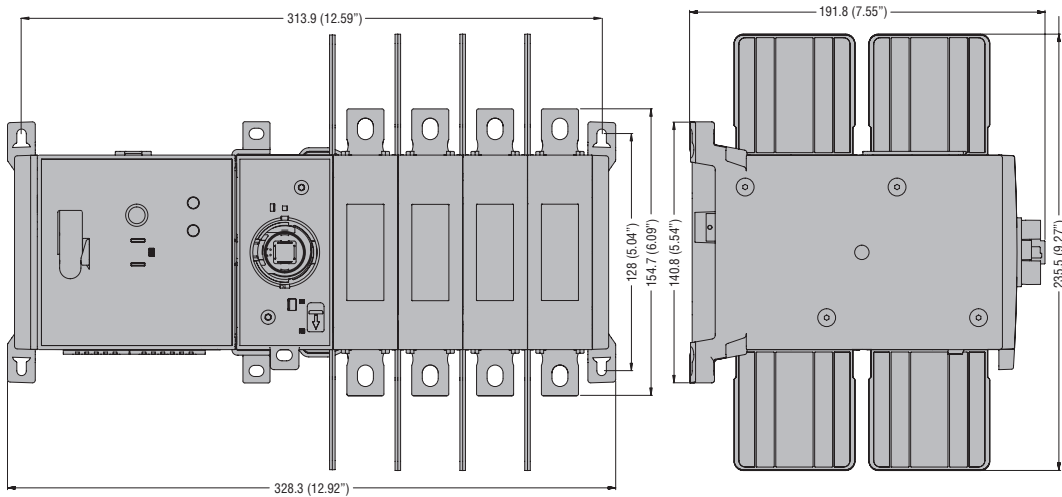
GLCMB0125T4...GLCMB0315T4...



GLCMB0100...UL - GLCMB0200...UL



GLCMB0100T4...UL - GLCMB0200T4...UL

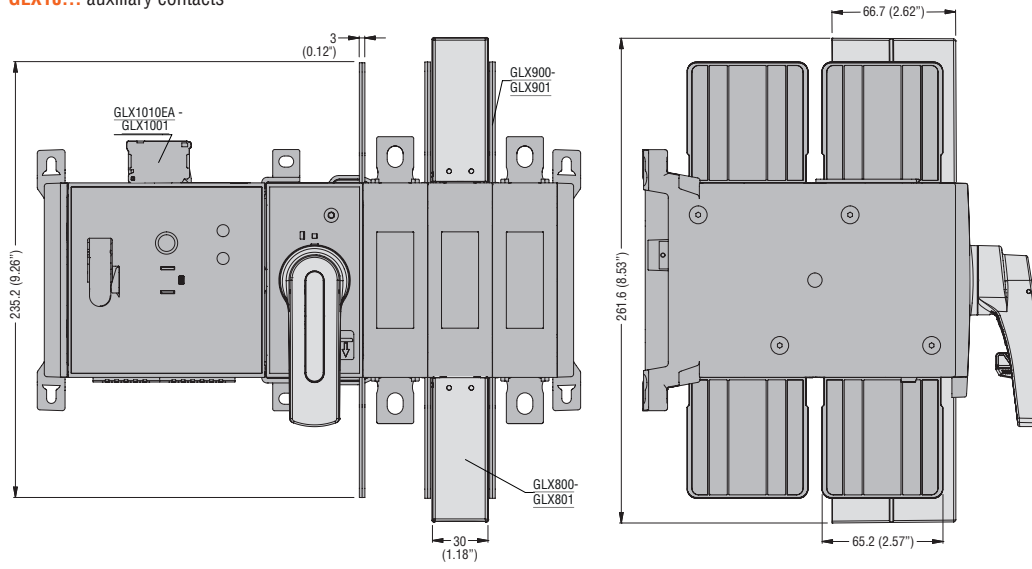


14 Switch disconnectors

Dimensions [mm(in)]

INDEX

- GLX800 - GLX801 terminal covers
- GLX900 - GLX901 one-pole phase barrier
- GLX10... auxiliary contacts

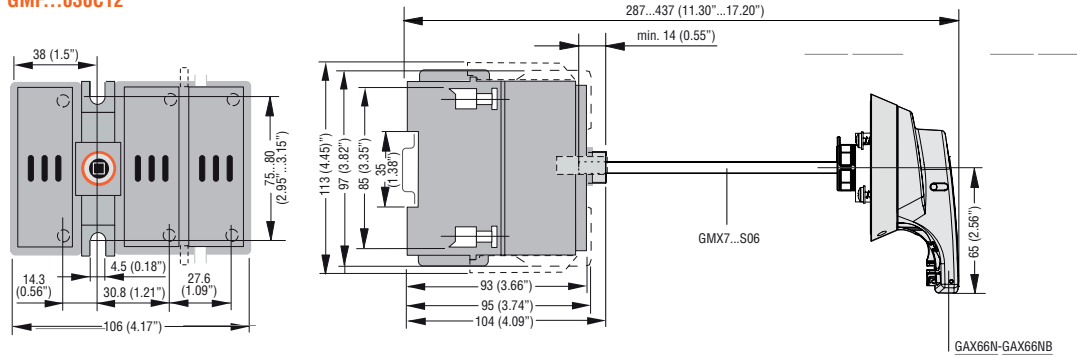


14 Switch disconnectors

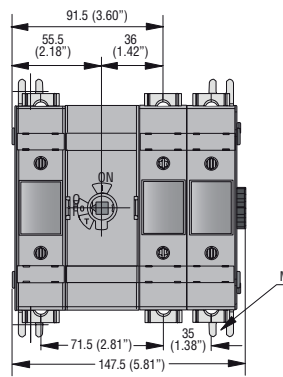
Dimensions [mm(in)]

GM SERIES 30A TO 800A SWITCH DISCONNECTORS

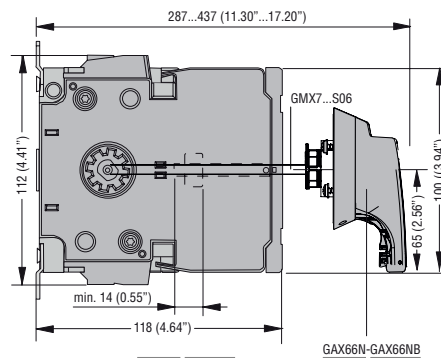
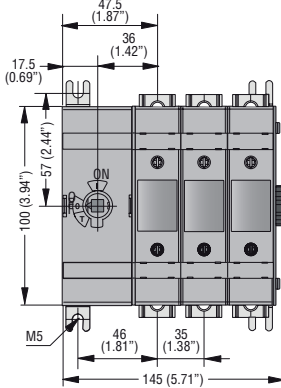
GMF...030C12



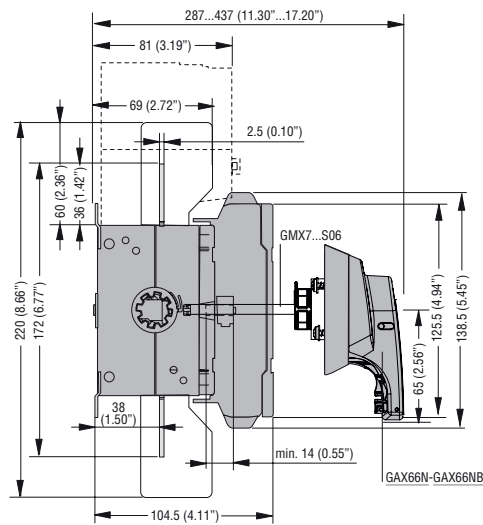
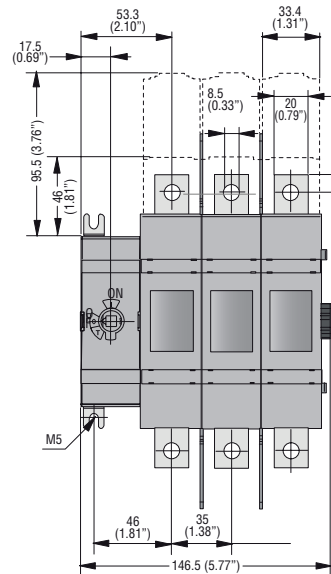
GMFJ060C12



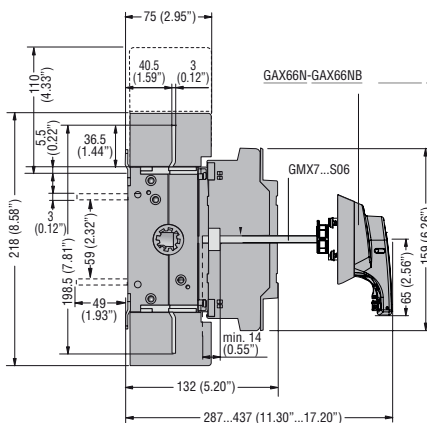
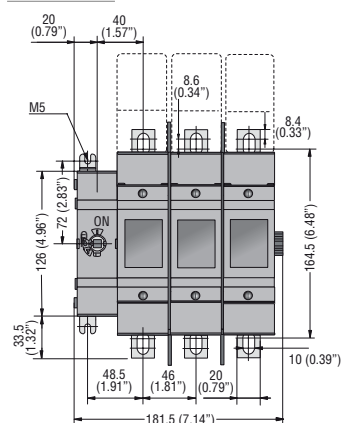
GMFJ060C03



GMFJ100C03



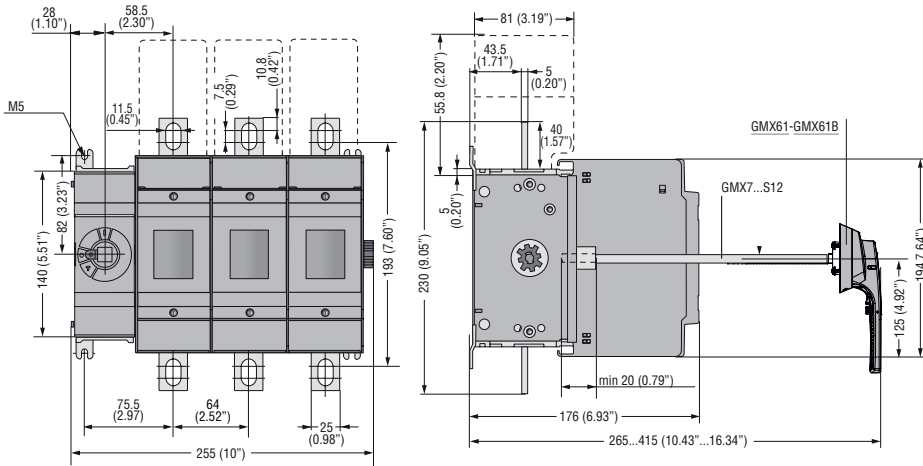
GMFJ200C03



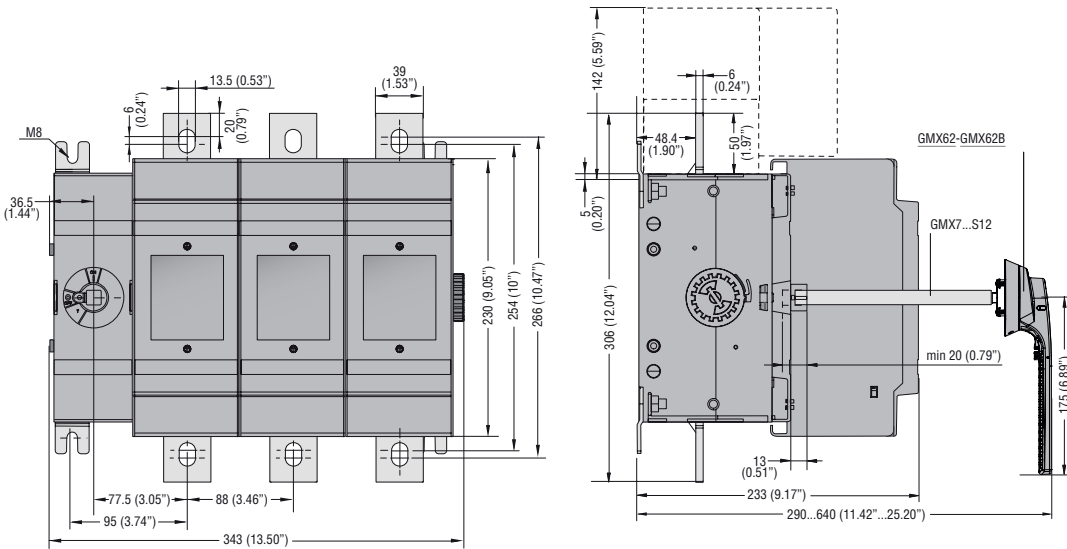
14 Switch disconnectors

Dimensions [mm(in)]

GMFJ400C03



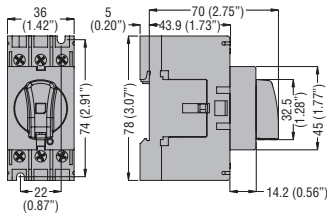
GMFJ600C03 - GMFL800C03



GA SERIES SWITCH DISCONNECTORS

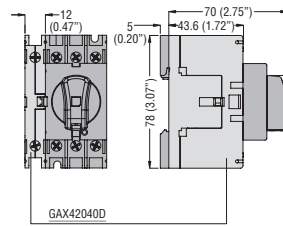
Direct operating version

GA040D



Fourth pole

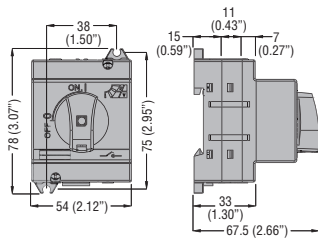
GAX42040D



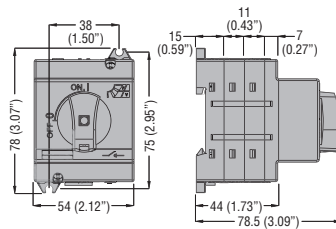
GD SERIES SWITCH DISCONNECTORS

Direct operating version

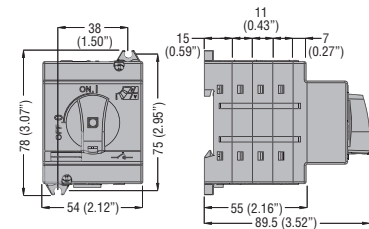
GD...AT2



GD...AT3



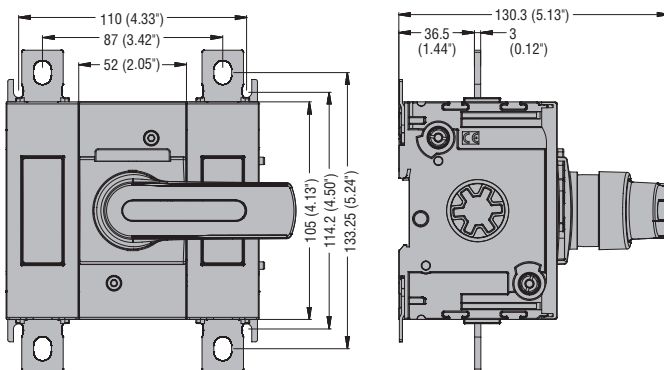
GD...AT4



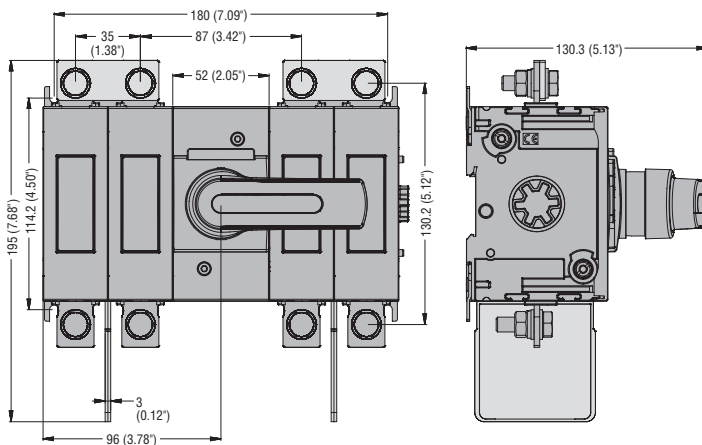
GLD SERIES SWITCH DISCONNECTORS

Direct operating version

GLD...T2C3



GLD...T4C3

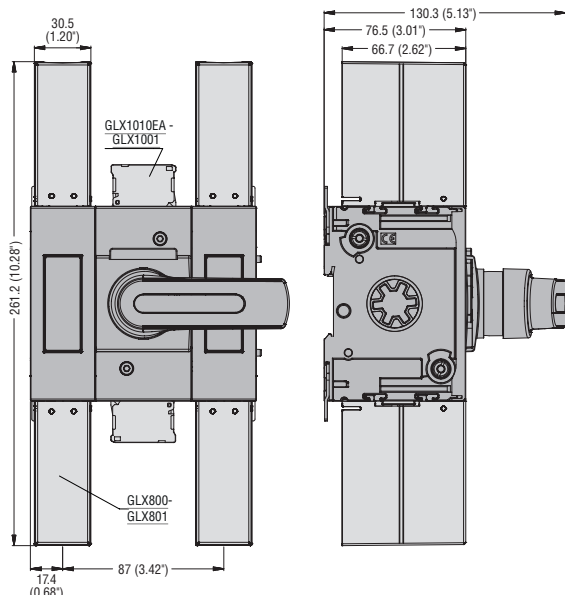


14 Switch disconnectors

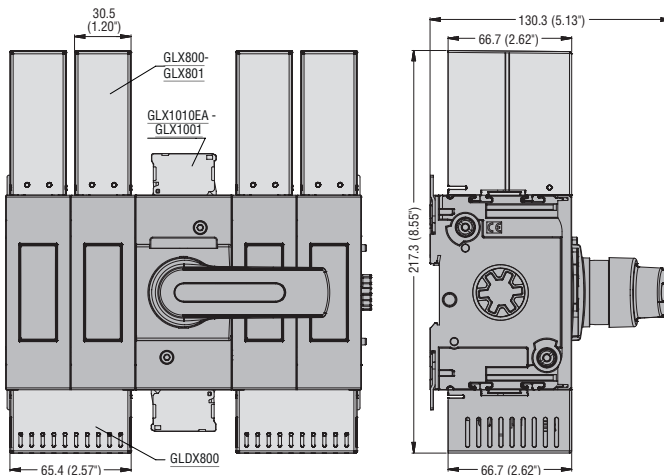
Dimensions [mm(in)]

INDEX

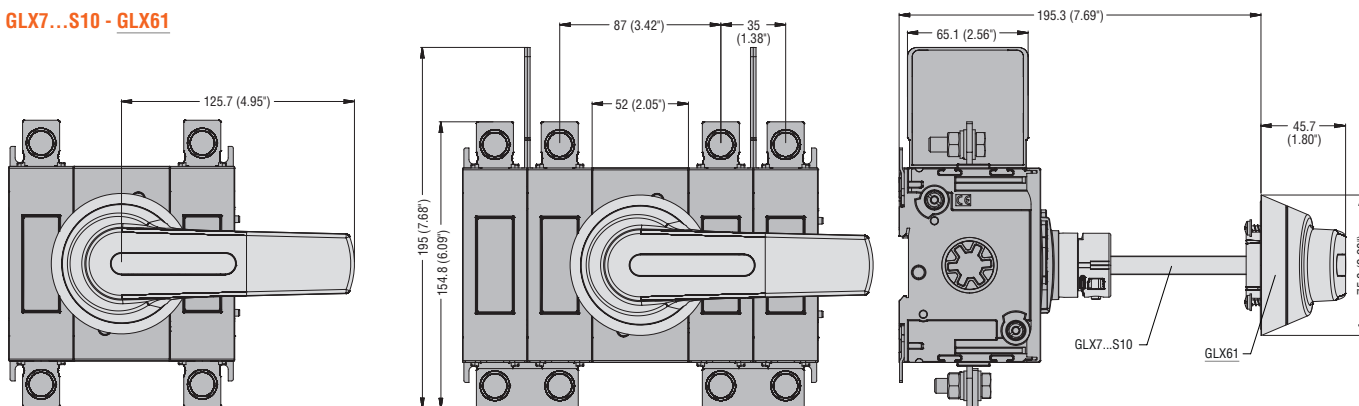
GLX10...GLX800 - GLX801



GLX10... - GLX800 - GLX801 - GLDX800



GLX7...S10 - GLX61

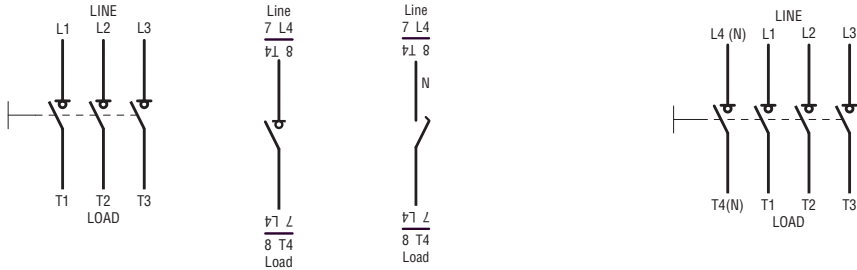


OPEN AND ENCLOSED GA SERIES 16A TO 160A SWITCH DISCONNECTORS

Three-pole disconnectors
GA016...GA160A.../C
GAZ016...GAZ160/B
GAZ016UL...GAZ125UL
GAZM016...GAZM160/B
GAZS016...GAZS100/B

Fourth pole
GAX42... **GAX41...**

Four-pole disconnectors
GAZ016T4...GAZ160T4/B
GAZ016T4UL...GAZ125T4UL
GAZM016T4...GAZM160T4/B



ADD-ON BLOCKS AND ACCESSORIES

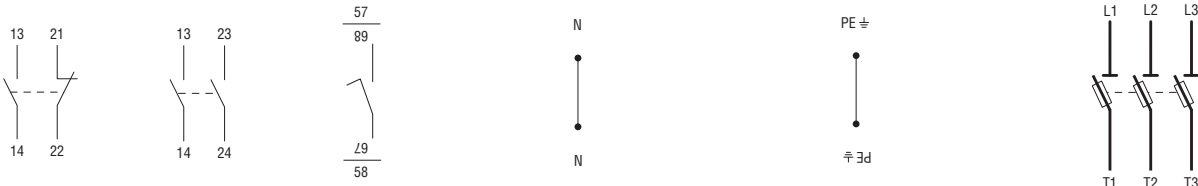
Auxiliary contacts
GAX1011... **GAX1020**

GAX11... - GAX12...

Neutral terminal
GAX31... - GAX32...

Earth/Ground terminal
GAX33... - GAX34...

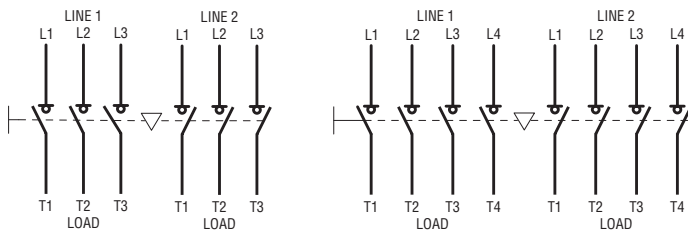
Fuse holder
GAX391 - GAX391UL



ENCLOSED AND ASSEMBLED MANUAL CHANGEOVER SWITCHES

Three-pole disconnectors **GA...ET6**

Four-pole disconnectors **GA...ET8**

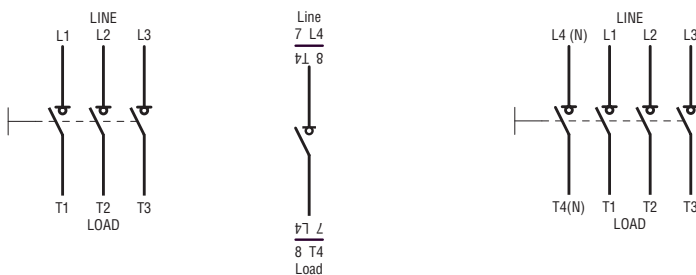


OPEN AND ENCLOSED GL SERIES 100 TO 1000A SWITCH DISCONNECTORS

Three-pole disconnectors
GL0100...GL1000...
GLZM0160...GLZM0315/B

Fourth pole
GLX42...

Four-pole disconnectors
GLZM0160T4...GLZM0315T4/B

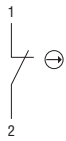


ADD-ON BLOCKS AND ACCESSORIES

Auxiliary contacts
GLX1010EA



GLX1001



Neutral terminal
GLX300 - GLX302 - GLX304 - GLX306

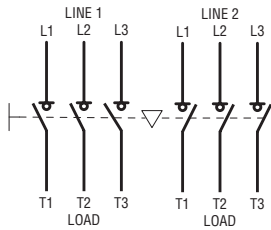


Earth/Ground terminal
GLX301 - GLX303 - GLX305 - GLX307

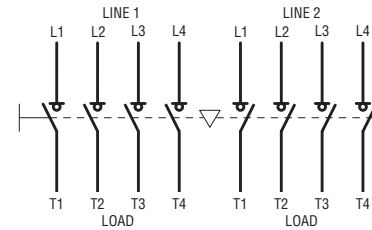


OPEN AND ENCLOSED GL SERIES 100 TO 1000A MANUAL CHANGEOVER SWITCHES

Three-pole
GLC...C1
GLZM...ET6

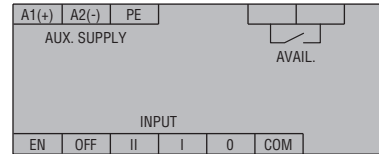


Four-pole
GLC...T4C1
GLZM...ET8



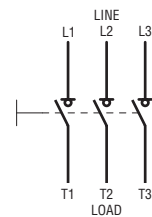
GL SERIES MOTORISED CHANGEOVER SWITCHES

Motorised control unit
GLCMB...

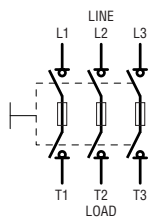


GE SERIES 50A TO 1600A SWITCH DISCONNECTORS

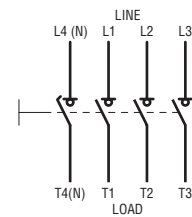
Three-pole
GE0160 - GE1600
GE0160P



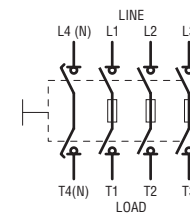
Three-pole with fuse holder
GEF0050F - GEF0125F
GEF0063N - GEF0250N
GE0400N - GE0800N



Four-pole
GE0160T4 - GE1600T4
GE0160T4P

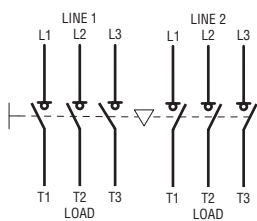


Four-pole with fuse holder
GEF0050FT4 - GEF0125FT4
GEF0063NT4 - GEF0250NT4
GE0400NT4 - GE0800NT4

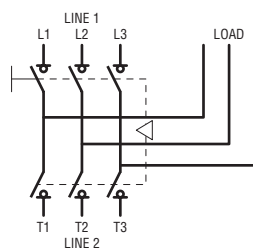


GE SERIES 160 TO 3150A CHANGEOVER SWITCHES

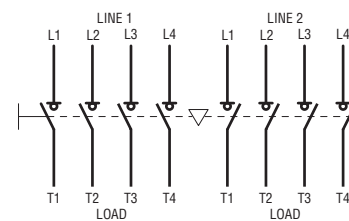
Three-pole
GE0160E - GE0200E - GE1600...3150E



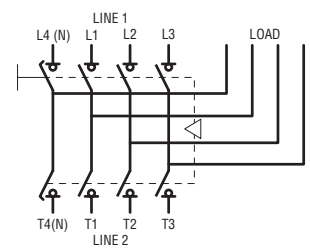
GE0201E...GE1250E



Four-pole
GE0160ET4 - GE0200ET4 - GE1600...3150ET4



GE0201ET4...GE1250ET4

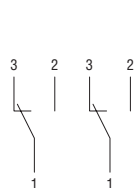


ADD-ON BLOCKS AND ACCESSORIES

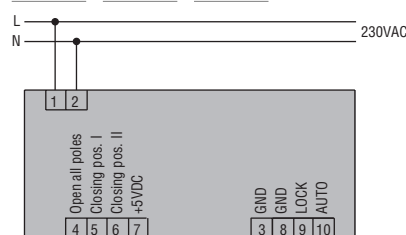
Auxiliary contacts
GEX1011...



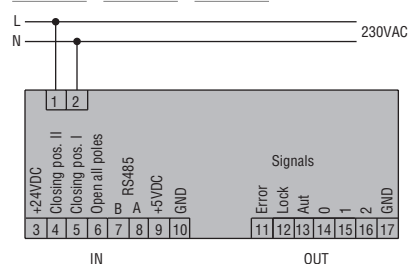
GEX1022...



Motorised control unit
GEX690C - GEX691C - GEX692C

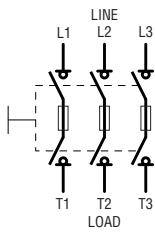


Motorised control unit
GEX693C - GEX694C - GEX695C



GM SERIES 30A TO 800A SWITCH DISCONNECTORS

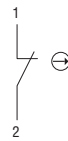
GM...030...GM...800



Auxiliary contacts GMX1010



GMX1001

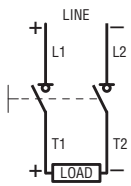


GMX1011

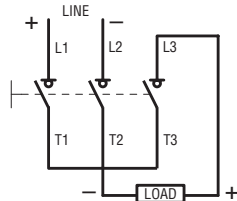


SWITCH DISCONNECTORS FOR PHOTOVOLTAIC APPLICATIONS GA...D (poles in series to wire)

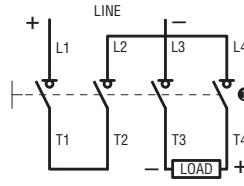
One-line control 2 poles in series



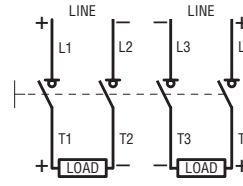
3 poles in series



4 poles in series



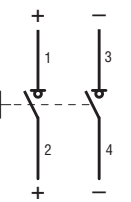
Two-lines control 2+2 poles in series



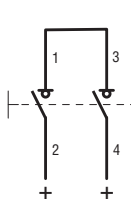
1 The positive pole fitted on the right side of the disconnector can also be fitted on the left side; the connections must be changed in consequence.

SWITCH DISCONNECTORS FOR PHOTOVOLTAIC APPLICATIONS GD... (jumpers supplied as standard)

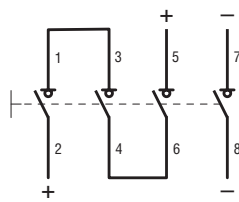
One-line control GD...AT2



GD...AT3

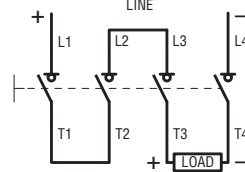


GD...AT4

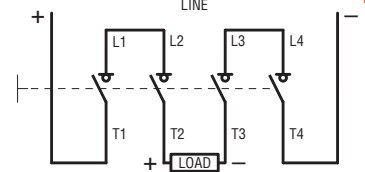


SWITCH DISCONNECTORS FOR PHOTOVOLTAIC APPLICATIONS GE...DT4 (poles in series to wire)

One-line control 4 poles in series

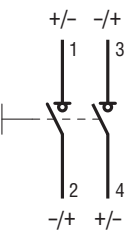


4 (2+2) poles in series

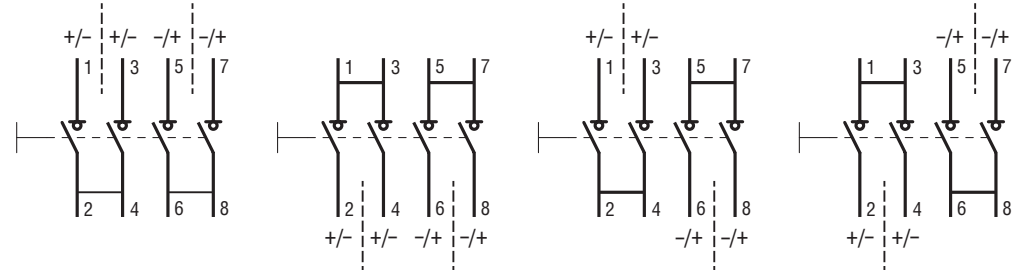


SWITCH DISCONNECTORS FOR PHOTOVOLTAIC APPLICATIONS GLD...

GLD...T2



GLD...T4



----- Phase barriers
 ——— Bridging bars

14 Switch disconnectors

Technical characteristics

GA series 16A to 160A - Switch disconnectors



INDEX

TECHNICAL DATA ACCORDING TO IEC/EN/BS 60947 RATINGS

TYPE	3-pole	GA016...	GA025...	GA032...	GA040...	GA063S...	
	4-pole	GAX4...040...				GAX4...063S...	
CONTACT CHARACTERISTICS							
IEC conventional free air thermal current I _{th} (≤40°C)	A	16	25	32	40	63	
IEC rated insulation voltage U _i	V	1000					
IEC rated impulse withstand voltage U _{imp}	kV	8					
IEC rated operational current I _e							
AC21A	400V A	16	25	32	40	63	
	500V A	16	25	32	40	63	
	690V A	16	25	32	40	63	
AC22A	400V A	16	25	32	40	45	
	500V A	16	25	32	40	45	
	690V A	16	25	32	40	45	
AC23A	400V A	16	25	32	40	45	
	500V A	16	25	25	25	25	
	690V A	16	25	25	25	25	
Power dissipation	W/pole	0.2	0.4	0.6	1	2.9	
IEC rated operational power AC23A							
	400V kW	7.5	11	15	18.5	22	
	690V kW	11	22	22	22	22	
IEC reactive power for control of capacitors 400V	kvar	7.5	10	12.5	15	15	
SHORT CIRCUIT PROTECTION							
Conditional short-circuit current ^①	kA rms	10					
With fuse class gG	A	16	25	32	40	63	
Making capacity AC23A 400V	A	160	250	320	400	450	
Breaking capacity AC23A 400V	A	128	200	256	320	360	
Mechanical life	cycles	100,000					
Electrical life (AC21A)	cycles	100,000				15,000	
Terminals	mm	Pillar terminal 5.6 x 6.5 - M4 Phillips 2					
Tightening torque	Nm	1.8...2					
	lb.in	16...18					
Conductor section min...max	mm ²	0.75...16					
	AWG	18...6					
AMBIENT CONDITIONS							
Temperature	Operating	°C				-25...+55	
	Storage	°C				-40...+70	
Maximum altitude	m	3000					
Mounting position	Normal	Vertical					
	Admissible	Any					
Fixing		Screw or 35mm DIN rail (IEC/EN 60715)					

① Ratings valid for three-pole switches. For more details contact our Technical support; see contact details on inside front cover.

TECHNICAL DATA ACCORDING TO UL/CSA RATINGS

TYPE		GA016...	GA025...	GA032...	GA040...	GA063SA	
Compliance	A	UL60947-4-1; CSA C22.2 n°60947-4-1					
General purpose current ratings	A	16	25	32	40	60	
Max operating voltage	V	600					
Horsepower ratings/ motor FLA current three-phase	240V HP/A	5/15.2	7.5/22	10/28	15/42	15/42	
	480V HP/A	10/14	15/21	20/27	20/27	30/40	
	600V HP/A	10/11	20/22	20/22	25/27	32/32	
Short circuit ratings	KA rms	5					
With fuse	class/A	RK5/30	RK5/30	RK5/35	RK5/45	RK5/45	
Minimum enclosure dimensions at rated current	mm (in)	—					

② Up to 480V with protection fuses type CC, J or T (200A max).

14 Switch disconnectors

Technical characteristics

GA series 16A to 160A - Switch disconnectors

GA030...	GA063...	GA080...	GA100...	GA125...	GA160...
GAX4...063...		GAX4...080...	GAX4...100...	GAX4...125...	GAX4...160...
30	63	80	100	125	160
1000					
8					
30	63	80	100	125	160
30	63	80	100	125	160
30	63	80	100	125	160
30	63	80	100	125	125
30	63	80	100	125	125
30	63	80	100	125	125
30	63	80	100	125	125
30	63	63	80	100	100
30	47	47	47	47	47
0.4	1.6	2.6	4	6.3	12
15	30	45	55	55	55
30	45	45	45	45	45
12.5	25	30	40	50	50
50					
63	63	80	100	125	160
300	630	800	1000	1250	1250
240	504	640	800	1000	1000
30,000					
30,000					
Pillar terminal 12.4 x 10.4 - M8 Metric Allen key 4					
5...6					
45...54					
4...70					
12...1					
-25...+55					
-40...+70					
3000					
Vertical					
Any					
Screw or 35mm DIN rail (IEC/EN 60715)					

14

GA030...	GA063...	GA080...	GA100...	GA125...	—
UL98; CSA C22.2 n°4					
30	60	100	100	100	—
600					
10/28	20/54	25/68	30/80	30/80	—
20/27	40/52	40/52	50/65	60/77	—
30/32	40/41	40/41	50/52	60/62	—
100⊕					
J/60	J/60	J/100	J/100	J/100	—
150 x 140 x 110 (5.90 x 5.51 x 4.33)					

14 Switch disconnectors

Technical characteristics

GL series 100A to 1000A - Switch disconnectors



INDEX

TECHNICAL DATA ACCORDING TO IEC/EN/BS 60947

TYPE	3-pole	GL0160...	GL0200...	GL0250...	GL0315...
	4-pole	GLX420315			
CONTACT CHARACTERISTICS					
IEC conventional free air thermal current I _{th} (≤40°C)	A	160	200	250	315
IEC rated insulation voltage U _i	V	1000			
IEC rated impulse withstand U _{imp}	kV	12			
IEC rated operational current I _e AC21A	A	160	200	250	315
	400V				
	500V	A	160	200	250
	690V	A	160	200	250
AC22A	400V	A	160	200	250
	500V	A	160	200	250
	690V	A	160	200	250
AC23A	400V	A	160	200	250
	500V	A	160	200	250
	690V	A	160	200	250
Power dissipation	W/pole	3.2	4	6.5	6.5
IEC rated operational power AC23A	kW	90	110	140	140
	400V				
	690V	kW	144	200	250
IEC reactive power for control of capacitors 400V	kvar	80	100	115	145
SHORT CIRCUIT PROTECTION					
Rated short-time current I _{cs}	(1s)	6			
	(0.3s)	12			
Conditional short-circuit current	kA rms	100			
With fuse class gG	A	160	200	250	315
Making capacity AC23A 400V	A	1600	2000	2500	2500
Breaking capacity AC23A 400V	A	1280	1600	2000	2000
Mechanical life	cycles	20,000			
Terminal for busbars	mm	M8 x 20			
Tightening torque	Nm	15...22			
	lb.in	132...194			
Conductor section min...max	mm ²	70...185			
	AWG/Kcmil	00...400			

AMBIENT CONDITIONS

Temperature	Operating	°C	-25...+55		
	Storage	°C	-40...+70		
Maximum altitude	m	3000			
Mounting position	Normal	Vertical			
	Admissible	Any			
Fixing	By screw. For GL0160...315 also on 35mm DIN rail (IEC/EN 60715)				

For more details contact our Technical support; see contact details on inside front cover.

TECHNICAL DATA ACCORDING TO UL/CSA RATINGS

TYPE	3-pole	GL0100C1UL	GL0200C1UL	—	—	
	4-pole	GLX420100UL	GLX420200UL	—	—	
Compliance		UL98 CSA C22.2 N°4	UL98 CSA C22.2 N°4	—	—	
General purpose current ratings	A	100	200	—	—	
Maximum operating voltage	V	600	600	—	—	
Horsepower ratings /motor FLA current three-phase	HP/A	30/80	75/192	—	—	
	240V					
	480V	HP/A	75/96	150/180	—	—
	600V	HP/A	100/99	200/192	—	—
Short circuit rating	KA rms	200	200	—	—	
With fuse	class/A	J/100	J/200	—	—	
Terminal kit lugs		GLX500-GLX501	GLX500-GLX501	—	—	
Minimum enclosure dimensions at rated current	mm (in)	400 x 250 x 150 (15.8 x 9.9 x 5.9)	400 x 250 x 150 (15.8 x 9.9 x 5.9)	—	—	

14 Switch disconnectors

Technical characteristics

GL series 100A to 1000A - Switch disconnectors

GL0320... GLX420320	GL0400... GLX420400	GL0500... GLX420500	GL0630... GLX420630	GL0631... GLX420631	GL0800... GLX420800	GL1000... GLX421000
320	400	500	630	630	800	1000
1000			1000			
12			12			
320	400	500	630	630	800	1000
320	400	500	630	630	800	1000
320	400	500	630	630	800	1000
320	400	500	50	630	800	1000
320	400	500	500	630	800	800
320	400	500	630	630	800	1000
320	400	500	500	630	800	1000
320	400	500	500	630	800	800
20.8	26.0	32.5	41.0	25	40	63
160	200	250	355	355	400	560
315	400	500	50	630	800	800
145	180	200	250	—	—	—

12.5			20			
20			—			
80			80		50	
355	400	500	630	630	800	1000
3200	4000	5000	6300	6300	8000	10000
2560	3200	4000	5040	5040	6400	8000
10,000			5,000			
M10 x 25			M12 x 40			
30...37			50...75			
265...327			442...664			
1 x 185...2 x 185			2 X 185... 4 X 300			
1 x 400...2 x 350			2 X 350... 4 X 600			

-25...+55	
-40...+70	
3000	
Vertical	
Any	
By screw	

—	GL0400C1UL	—	—	GL0600C1UL	GL0800C1UL	—
—	GLX420400UL	—	—	GLX420600UL	GLX420800UL	—
—	UL98 CSA C22.2 N°4	—	—	UL98 CSA C22.2 N°4		—
—	400	—	—	600	800	—
—	600	—	—	600		—
—	125/312	—	—	200/480	250/604	—
—	250/302	—	—	450/515	500/590	—
—	350/336	—	—	500/472	500/600	—
—	100	—	—	100		—
—	J/400	—	—	J/600	L/800	—
—	GLX502-GLX503	—	—	GLX506-GLX507		—
—	950 x 350 x 200 (37.4 x 13.8 x 7.9)	—	—	750 x 600 x 250 (29.5 X 23.6 X 9.8)	1000 x 1200 x 300 (39.4 X 47.2 X 11.8)	—

14 Switch disconnectors



INDEX

Technical characteristics
GL series 100A to 1000A - Manual changeover switches

TECHNICAL DATA ACCORDING TO IEC/EN/BS 60947

TYPE		3-pole	GLC0160...	GLC0200...	GLC0250...	GLC0315...
		4-pole	GLC0160T4...	GLC0200T4...	GLC0250T4...	GLC0315T4...
CONTACT CHARACTERISTICS						
IEC conventional free air thermal current I _{th} (≤40°C)	A		160	200	250	315
IEC rated insulation voltage U _i	V		1000			
IEC rated impulse withstand U _{imp}	kV		12			
IEC rated operational current I _e						
AC31B	400V	A	160	200	250	315
	500V	A	160	200	250	315
	690V	A	160	200	250	315
AC32B	400V	A	160	200	250	315
	500V	A	160	200	250	315
	690V	A	160	200	250	315
AC33B	400V	A	160	200	250	315
	500V	A	160	200	250	250
	690V	A	160	200	250	250
Power dissipation	W/pole		3.2	4	6.5	6.5
IEC rated operational power						
AC23A	400V	kW	90	110	140	140
	690V	kW	144	200	250	250
SHORT CIRCUIT PROTECTION						
Rated short-time current I _{cs}	(1s)	kA rms	6			
	(0.3s)	kA rms	12			
Conditional short-circuit current		kA rms	100			
With fuse class gG	A		160	200	250	315
Making capacity AC23A 400V	A		1600	2000	2500	2500
Breaking capacity AC23A 400V	A		1280	1600	2000	2000
Mechanical life		cycles	20,000			
Terminal for busbars		mm	M8 x 20			
Tightening torque		Nm	15...22			
		lb.in	132...194			
Conductor section min...max		mm ²	70...185			
		AWG/ Kcmil	00...400			
AMBIENT CONDITIONS						
Temperature	Operating	°C	-25...+55			
	Storage	°C	-40...+70			
Maximum altitude		m	3000			
Mounting position	Normal		Vertical			
	Admissible		Any			
Fixing			By screw			

For more details contact our Technical support; see contact details on inside front cover.

TECHNICAL DATA ACCORDING TO UL/CSA RATINGS

TYPE		GLC0100...UL	GLC0200...UL	—	—
Compliance	A	UL1008 CSA C22.2 N°4	UL1008 CSA C22.2 N°4	—	—
General purpose current ratings	A	100	200	—	—
Maximum operating voltage	V	600	600	—	—
Horsepower ratings /motor FLA current three-phase	240V	HP/A	30/80	75/192	—
	480V	HP/A	75/96	150/180	—
	600V	HP/A	100/99	200/192	—
Short circuit ratings	KA rms	100	100	—	—
With fuse	class/A	J/100	J/200	—	—
Terminal kit lugs		GLX500-GLX501	GLX500-GLX501	—	—
Minimum enclosure dimensions at rated current	mm (in)	400 x 250 x 150 (15.8 x 9.9 x 5.9)	400 x 250 x 150 (15.8 x 9.9 x 5.9)	—	—

14 Switch disconnectors

Technical characteristics
GL series 100A to 1000A - Manual changeover switches

	GLC0320... GLC0320T4...	GLC0400... GLC0400T4...	GLC0500... GLC0500T4...	GLC0630... GLC0630T4...	GLC0631... GLC0631T4...	GLC0800... GLC0800T4...	GLC1000... GLC1000T4...
	320	400	500	630	630	800	1000
	1000			1000			
	12			12			
	320	400	500	630	630	800	1000
	320	400	500	630	630	800	1000
	320	400	500	630	630	800	1000
	320	400	500	630	630	800	1000
	320	400	500	500	630	800	1000
	320	400	500	500	630	800	800
	320	400	500	630	630	800	1000
	320	400	500	500	630	800	1000
	320	400	500	500	630	800	800
	20.8	26.0	32.5	41.0	25	40	63
	160	200	250	355	355	400	560
	315	400	500	500	630	800	800
	12.5			20			
	20			-			
	80			80			
	355	400	500	630	630	800	1000
	3200	4000	5000	6300	6300	8000	10000
	2560	3200	4000	5040	5040	6400	8000
	10,000			5,000			
	M10 x 25			M12 x 40			
	30...37			50...75			
	265...327			442...664			
	1 x 185...2 x 185			2 X 185... 4 X 300			
	1 x 400...2 x 350			2 X 350... 4 X 600			
	-25...+55						
	-40...+70						
	3000						
	Vertical						
	Any						
	By screw						

	—	GLC0400...UL	—	—	—	—	—
	—	UL1008 CSA C22.2 N°4	—	—	—	—	—
	—	400	—	—	—	—	—
	—	600	—	—	—	—	—
	—	125/312	—	—	—	—	—
	—	250/302	—	—	—	—	—
	—	350/336	—	—	—	—	—
	—	100	—	—	—	—	—
	—	J/400	—	—	—	—	—
	—	GLX502-GLX503	—	—	—	—	—
	—	950 x 350 x 260 (37.4 x 13.8 x 10.3)	—	—	—	—	—

14 Switch disconnectors

Technical characteristics

GL series 100A to 1000A - Motorised changeover switches

TECHNICAL DATA ACCORDING TO IEC/EN/BS 60947

TYPE	3-pole	GLCMB0125...	GLCMB0160...	GLCMB0200...	GLCMB0250...	GLCMB0315...
	4-pole	GLCMB0125T4...	GLCMB0160T4...	GLCMB0200T4...	GLCMB0250T4...	GLCMB0315T4...

CONTACT CHARACTERISTICS

IEC conventional free air thermal current I _{th} (≤40°C)	A	125	160	200	250	315	
IEC rated insulation voltage U _i	V	1000					
IEC rated impulse voltage withstand U _{imp}	kV	12					
IEC rated operational current I _e							
AC31B	400V	A	125	160	200	250	315
	500V	A	125	160	200	250	315
	690V	A	125	160	200	250	315
AC32B	400V	A	125	160	200	250	315
	500V	A	125	160	200	250	315
	690V	A	125	160	200	250	315
AC33B	400V	A	125	160	200	250	315
	500V	A	125	160	200	250	250
	690V	A	125	160	200	250	250
Power dissipation	W/pole	1.8	3.2	4	6.5	6.5	
IEC rated operational power							
AC23A	400V	kW	55	90	110	140	140
	690V	kW	110	144	200	250	250

SHORT CIRCUIT PROTECTION

Rated short-time current I _{cs}	(1s)	kA rms	6			
	(0.3s)	kA rms	12			
Conditional short-circuit current		kA rms	100			
With fuse class gG	A	125	160	200	250	315
Making capacity AC23A 400V	A	1250	1600	2000	2500	2500
Breaking capacity AC23A 400V	A	1000	1280	1600	2000	2000
Mechanical life		cycles	20,000			
Terminals		mm	M8 x 20			
Tightening torque		Nm	15...22			
		lb.in	132...194			
Conductor section min...max		mm ²	70...185			
		AWG/ Kcmil	00...400			

AMBIENT CONDITIONS

Temperature	Operating	°C	-25...+55			
	Storage	°C	-40...+70			
Maximum altitude		m	3000			
Mounting position	Normal		Vertical			
	Admissible		Any			
Fixing			Screw			

MOTOR CHARACTERISTICS ①

TYPE		GLCMB...D024	GLCMB...E110	GLCMB...A230
Rated auxiliary supply voltage	V	24VDC	110...125VAC/DC	208...277VAC
Operating voltage range	V	19.2...31.2VDC	77...165VAC/DC	166...332VAC
Transition time I-0, 0-I	ms	720...1080		
Transition time II-0, 0-II	ms	720...1080		
Transition time I-0-II, II-0-I	s	1.2...1.8	1.6...2.4	1.2...1.8
Rated current I _n	A	2.7...3.3	0.72...0.88	0.36...0.44
In-rush current	A	5.4...6.6	1.8...2.2	0.9...1.1

① For more details contact our Technical support; see contact details on inside front cover.

TECHNICAL DATA ACCORDING TO UL/CSA RATINGS

TYPE		GLCMB0100...UL	GLCMB0200...UL	
Compliance	A	UL1008 CSA C22.2 N°4	UL1008 CSA C22.2 N°4	
General purpose current ratings	A	100	200	
Maximum operating voltage	V	600	600	
Horsepower ratings /motor FLA current three-phase	240V	HP/A	30/80	75/192
	480V	HP/A	75/96	150/180
	600V	HP/A	100/99	200/192
	Short circuit ratings	KA rms	100	100
With fuse	class/A	J/100	J/200	
Terminal kit lugs		GLX500-GLX501	GLX500-GLX501	
Minimum enclosure dimensions at rated current	mm (in)	400 x 250 x 150 (15.8 x 9.9 x 5.9)	400 x 250 x 150 (15.8 x 9.9 x 5.9)	

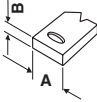
14 Switch disconnectors

Technical characteristics

GE series 50A to 3150A - Switch disconnectors



INDEX

TYPE	3-pole		GE0160P GE0160	GE0200	GE0250	GE0251	GE0315	GE0400		
	4-pole ^⑤		GE0160T4P GE0160T4	GE0200T4	GE0250T4	GE0251T4	GE0315T4	GE0400T4		
CONTACTS CHARACTERISTICS										
IEC conventional free air thermal current I _{th} (≤40°C)	A		160	200	250	250	315	400		
IEC rated insulation voltage U _i	V		1000							
IEC rated impulse withstand U _{imp}	kV		8							
IEC rated operational current I_e										
AC21A	400V	A	160	200	250	250	315	400		
	500V	A	160	200	200	250	315	400		
	690V	A	160	180	180	200	250	250		
AC22A	400V	A	160	200	250 (AC22B) 200 (AC22A)	250	315	400		
	500V	A	160	200	200	250	315	400		
	690V	A	125	160	160	160	200	200		
AC23A	400V	A	160	160	160	250	315	400		
	500V	A	125	125	125	200	250	315		
	690V	A	80	80	80	160	160	160		
Power dissipation	W/pole		4	6	9	2.5	6.5	10.5		
IEC reactive power for control of capacitors 400V senφ=0.65	kvar		72	72	72	112	142	180		
IEC rated operational power										
AC23A	400V	kW	90	90	90	138	174	220		
	690V	kW	75	75	75	153	153	153		
Short circuit protection										
Rated short-time current (1s) I _{cs}	kA rms		7				12			
Conditional short-circuit current ^①	kA rms		100							
With fuse class gG	A		160	200	250		315	400		
Making capacity AC23A 400V	A		1600			2500		3150	4000	
Breaking capacity AC23A 400V	A		1280			2000		2520	3200	
Mechanical life	cycles		30,000				20,000			
Electrical life (AC23A 400V)	cycles		1,000							
Terminals										
	type		Lug terminal ^② or bars							
	A mm		18	26			25			
	B mm		3				4			
	screw		M8	M10						
Tightening torque										
	Nm		13 ^④	18				24		
	lb.in		88 ^④	150				212		
Max. conductor section	mm ²		95	120			185			
Max. bar size (thickness-width)	mm		5-25 ^③	5-30			7-25			
AMBIENT CONDITIONS										
Temperature	Operating	°C	-25...+55							
	Storage	°C	-40...+70							
Maximum altitude	m		3000							
Mounting position	Normal		Vertical							
	Admissible		Any							
Fixing			Screw							

① With protection fuse limiting peak current and specific through energy.

② Not suitable for types GE0160P and GE0160T4P.

③ Types GE...P have hex terminals IP20.


④ 4Nm/35lb.in only for types GE...P.

⑤ The 4-pole types (3P+N) have early-make late-break neutral pole.

14 Switch disconnectors

Technical characteristics

GE series 50A to 3150A - Switch disconnectors

	GE0500	GE0630	GE0800	GE1000	GE1250	GE1600
	GE0500T4	GE0630T4	GE0800T4	GE1000T4	GE1250T4	GE1600T4
	500	630	800	1000	1250	1600
	1000					
	12					
	500	630	800	1000	1250	1600
	500	630	800	1000	1250	1600
	500	630	800	1000	1000	1600
	500	630	800	1000	1250	1600
	500	630	800	1000	1000	1250
	400	500	500	630	630	1000
	500	630	800	1000	1000	1000
	400	500	500	800	800	900
	250	315	315	500	500	630
	22	35	56	50	78	128
	225	284	284	360	360	450
	220	349	443	443	443	554
	239	300	300	478	478	600
	16			25		50
	100			72		75
	500	630	800	1000	1250	2 x 800
	5000	6300		8000		10000
	4000	5000		6400		8000
	10,000					
	1,000		500			
	Lug terminal  or bars					
	25	30		40		60
	5			8		10
	M10			M14		M14
	24			45		55
	212			292		487
	2 x 185	2 x 240	2 x 240	2 x 300		—
	6-40	2 x 5-40	2 x 5-50	2 x 10-50		2 x 10-80
	-25...+55					
	-40...+70					
	3000					
	Vertical					
	Any					
	Screw					

14 Switch disconnectors

Technical characteristics

GE series 50A to 3150A - Switch disconnectors with fuse holder

TYPE	NFC	3-pole	GEF0050F	—	GEF0100F	GEF0125F	—	—	
		4-pole	GEF0050FT4	—	GEF0100FT4	GEF0125FT4	—	—	
	NH	3-pole	—	GEF0063N	GEF0100N	GEF0125N	GEF0160N	GEF0250N	
		4-pole	—	GEF0063NT4	GEF0100NT4	GEF0125N4	GEF0160NT4	GEF0250NT4	

CONTACT CHARACTERISTICS

IEC conventional free air thermal current I _{th} (≤40°C)	A	50	63	100	125	160	250	
IEC rated insulation voltage U _i		1000						
IEC rated impulse withstand U _{imp}		8						12
IEC rated operational current I _e		—						
AC21A	400V	A	50	63	100	125	160	250
	500V	A	50	63	100	125	160	250
	690V	A	—					
AC22A	400V	A	50	63	100	125	160	250
	500V	A	50	63	80	125	125	250
	690V	A	—					
AC23A	400V	A	50	63	100	125	160 ①	250
	500V	A	50	50	63	125	125	200
	690V	A	—					
Power dissipation	NFC	W/pole	4.8	—	9	11.4	—	
	NH	W/pole	—	5.8	6.6	9	11.2	17
Conditional short circuit current		kA rms	100					
Making capacity AC23A 400V	A	500	630	800	1250	1600	2500	
Breaking capacity AC23A 400V	A	400	504	640	1000	1280	2000	
Mechanical life		cycles	10,000			8,000		
Electrical life (AC23A 400V)		cycles	—					
Terminals		type	Hex terminals			Lug terminal or bars		
		A mm	—			25	30	
		B mm	—			3	7	
		screw	—			M8	M10	
Tightening torque	Nm	2			6	18		
	lb.in	17.7			53	159		
Max. conductor section		mm ²	25	50	70	185		
Max. bar size (thickness-width)		mm	—			3-25	7-30	

AMBIENT CONDITIONS

Temperature	Operating	°C	25...+55					
	Storage	°C	-40...+70					
Maximum altitude		m	3000					
Mounting position	Normal		Vertical					
	Admissible		Any					
Fixing			Screw					

① Value in AC23B.

14 Switch disconnectors

Technical characteristics

GE series 50A to 3150A - Switch disconnectors with fuse holder

INDEX

	—	—	—
	—	—	—
	GE0400N	GE0630N	GE0800N
	GE0400NT4	GE0630NT4	GE0800NT4
	400	630	800
		1000	
		12	
	400	630	800
	400	630	800
	400	630	630
	400	630	800
	400	630	800
	400	630	630
	400	630	630
	400	630	630
	315	400	400
		—	
	30	48	57
		100	
	4000	6300	
	3200	5100	
	10,000	5,000	
		1,000	500
		Lug terminal or bars	
	35	40	50
	5		6
	M10	M12	4 x M8
	24	45	13
	212	398	115
	240	2 x 185	2 x 240
	6-40	2 x 7-50	2 x 7-50
		-25...+55	
		-40...+70	
		3000	
		Vertical	
		Any	
		Screw	

14

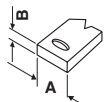
14 Switch disconnectors

Technical characteristics

GE series 50A to 3150A - Changeover switches



INDEX

TYPE	3-pole		GE0160E	GE0200E	GE0201E	GE0250E	GE0315E	GE0400E		
	4-pole ^②		GE0160ET4	GE0200ET4	GE0201ET4	GE0250ET4	GE0315ET4	GE0400ET4		
CONTACT CHARACTERISTICS										
IEC conventional free air thermal current I _{th} (≤40°C)	A		160	200		250	315	400		
IEC rated insulation voltage U _i	V		1000							
IEC rated impulse withstand U _{imp}	kV		8							
IEC rated operational current I _e										
AC21A	400V	A	160	200	200	250	315	400		
	500V	A	160	200	200	250	315	400		
	690V	A	160	200	200	250	315	400		
AC22A	400V	A	160	200	200	250	315	400		
	500V	A	160	200	200	250	315	400		
	690V	A	125	160	160	200	250	315 ^③		
AC23A	400V	A	160	160	160	180	200	250		
	500V	A	125	125	125	150	160	200		
	690V	A	80	80	80	100	125	160		
Power dissipation	W/pole		4	6	8	8.5	13.5	22		
IEC reactive power for control of capacitors 400V	kvar		72	72	83	104	131	166		
IEC rated operational power										
AC23A	400V	kW	89	89	100	100	125	125		
	690V	kW	76	76	69	86	108	138		
Short circuit protection										
Rated short-time current (1s) I _{cs}	kA rms		7	7	8					
Conditional short-circuit current ^①	kA rms		100	100	100					
With fuse class gG	A		160	200	250	315	400			
Making capacity AC23A 400V	A		1600	1600	3150	4000				
Breaking capacity AC23A 400V	A		1280	1280	2520	3200				
Mechanical life	cycles		30,000	30,000	10,000					
Electrical life (AC22A 400V)	cycles		1,000	1,000	1,000					
Terminals		type	Lug terminal or bars							
		A mm	18	26	25				35	
		B mm	3	3						
		screw	M8	M10						
Tightening torque	Nm		13	24						
	lb.in		115	212						
Max. conductor section	mm ²		95	120	240					
Max. bar size (thickness-width)	mm		4-13	13-18	2 x 5-30					
AMBIENTAL CONDITIONS										
Temperature	Operating	°C	-25...+55							
	Storage	°C	-40...+70							
Maximum altitude		m	3000							
Mounting position	Normal		Vertical							
	Admissible		Any							
Fixing			Screw							

① With protection fuse limiting peak current and specific through energy.

② The 4-pole types (3P+N) have early-make late-break neutral pole.

③ Value in AC22B.

14 Switch disconnectors

Technical characteristics

GE series 50A to 3150A - Changeover switches

	GE0500E	GE0630E	GE0800E	GE1000E	GE1250E	GE1600E	GE2000E	GE2500E	GE3150E
	GE0500ET4	GE0630ET4	GE0800ET4	GE1000ET4	GE1250ET4	GE1600ET4	GE2000ET4	GE2500ET4	GE3150ET4
	500	630	800	1000	1250	1600	2000	2500	3150
	1000								
	12						8		
	500	630	800	1000	1250	1600	2000	2500	3150
	500	630	800	1000	1250	1600	2000	2500	3150
	500	630	800	1000	1250	1600	1800	2500	2500
	500	630	800	1000	1250	1600	2000	2500	2500
	500	630	800	1000	1250	1250	1800	1800	2000
	400	500	630 ^③	800	1000 ^③	1000	1600	1800	1800
	400	500	630	1000	1000	1000	1250	1800	1800
	250	315	400	800	900	900	900	1250	1400
	250	250	315	630	630	630	630	1000	1000
	28	44.5	72	76	118	128	59.60	213	338
	208	262	333	415	415	450	562	811	900
	200	200	315	500	525	550	692	997	1100
	173	216	272	544	575	600	764	956	956
	13		25			35	50		
	100			72			75	100	100
	500	630	800	1000	1250	2 x 800	–	–	–
	6300		8000	10000	10000	10000	12500	18000	20000
	5040		6400	8000	8000	8000	10000	14400	1600
	10,000		10,000				3,000	600	
	1,000		500						
	Lug terminal or bars								
	40			50		60	80		100
	5			6		10	10	2 x 15	
	M12			M14		M14	M14	M12	
	24			45		55	55	45	
	212			398		487	487	398	
	2 x 240			–	–	–	–	–	–
	2 x 6-45			2 x 10-60		2 x 7-80	2 x 10-80	3 x 12-80	3 x 12-100
	25...+55						-30...+70		
	-40...+70						-40...+75		
	3000								
	Vertical								
	Any								
	Screw								

- ① With protection fuse limiting peak current and specific through energy.
- ② The 4-pole types (3P+N) have early-make late-break neutral pole.
- ③ Value in AC22B.

14 Switch disconnectors

Technical characteristics

GM series 30A to 800A - Switch disconnectors with fuse holder (UL98)

TYPE	3-pole	GMF...030...	GMFJ060...	GMFJ100C03	GMFJ200C03	GMFJ400C03	GMFJ600C03	GMFL800C03
CONTACT CHARACTERISTICS								
IEC conventional free air thermal current I _{th} (≤40°C)	A	32	63	160	200	400	630	800
IEC rated insulation voltage U _i	V	1000						
IEC rated impulse voltage withstand U _{imp}	kV	12						
IEC rated operational current I _e								
AC21A								
400V	A	32	63	160	200	400	630	800
500V	A	32	63	160	200	400	630	800
690V	A	32	63	160	200	400	630	800
AC22A								
400V	A	32	63	160	200	400	630	80
500V	A	32	63	160	200	400	630	800
690V	A	32	63	160	200	400	630	800
AC23A								
400V	A	32	63	160	200	400	630	800
500V	A	32	63	160	200	400	630	800
690V	A	32	63	160	200	400	630	800
Power dissipation (without fuse)	W/pole	2	4	9	8	30	46	75
Max fuse power dissipation								
in open air	W	3.5	7.5	12	17	45	60	65
in enclosure	W	3.5	7.5	12	15	30	50	55
IEC rated operational power								
AC23A								
400V	kW	15	30	75	110	220	355	450
690V	kW	22	55	132	200	400	630	710
IEC short circuit protection								
Rated short-time current (1s) I _{cw}	kA rms	1	2.5	5	8	14	20	20
Conditional short circuit current	kA rms	200						
With fuse	A/class	30/J-CC	60/J	100/J	200/J	400/J	600/J	800/L
Making capacity AC23A 690V	A	320	630	1600	2000	4000	6300	8000
Breaking capacity AC23A 690V	A	256	504	1280	1600	3200	6400	6400
Mechanical life	cycles	10,000		8,000		5,000		3,000
Min. electrical endurance (pf=0.75...0.8)	cycles	6000				1000	1000	500
Fuse-links bolts tightening torque	Nm	-	-	4	4	20	40	40
Terminal lug kits		Built-in		GMX500	GMX501	GMX502	GMX504	GMX504
Conductor section min...max	mm ²	1...10	2.5...25	2.5...70	25...150	35...300	2 X 35...600	2 X 35...600
	AWG	18-8	14-4	14-2/0	4-300MCM	2-600MCM	(2)x2-600MCM	(2)x2-600MCM
Conductor tightening torque	Nm	2	3.5	13.5	31	42.5	56.5	56.5
	lb.in	17	30	120	275	375	500	500
Terminal lugs tightening torque	Nm	-	-	5.5	8	27	54	54
	lb.in	-	-	50	72	240	480	480
AMBIENT CONDITIONS								
Temperature operating	°C	-25...+55						
storage	°C	-40...+70						
Maximum altitude	m	3000						
Mounting position normal		Vertical						
admissible		Any						
Fixing	A	Screw or 35mm DIN rail (IEC/EN 60715)			Screw			

TECHNICAL DATA ACCORDING TO UL/CSA RATINGS

TYPE	3-pole	GMF...030...	GMFJ060...	GMFJ100C03	GMFJ200C03	GMFJ400C03	GMFJ600C03	GMFL800C03
CHARACTERISTICS								
Compliance		UL98						
General purpose rating (≤40°C)	A	30	60	100	200	400	600	800
Max operating voltage U _i	V	600						
Horsepower ratings/motor FLA current three-phase								
240V	HP/A	7.5/22	15/42	30/80	60/154	125/312	200/480	250/602
480V	HP/A	15/21	30/40	60/77	125/156	250/302	400/477	500/590
600V	HP/A	20/22	50/52	75/77	150/144	350/336	500/472	600/472
Short circuit ratings	KA rms	200						
With fuse	A/class	30/J-CC	60/J	100/J	200/J	400/J	600/J	800/L
Terminal lug kits		Built-in		GMX500	GMX501	GMX502	GMX504	GMX504

14 Switch disconnectors

Technical characteristics

GA and GD series for photovoltaic applications

TYPE	3-pole	GA040D	GD025AT2	GD025AT3	GD032AT3	GD032AT4	GD040AT3	GD040AT4
	4th pole	GAX42040D	—	—	—	—	—	—
CONTACT CHARACTERISTICS								
IEC conventional free air thermal current I _{th} (≤40°C)	A	40	25	25	32	32	40	40
IEC rated insulation voltage U _i	V	1000	1000 / 1500 ^①					
IEC rated impulse withstand U _{imp}	kV	8						
IEC rated operational current I _e DC21B ^②								
	≤800V	A	—	25	25	32	32	40
	1000V	A	—	16	25	32	32	40
	①1200V	A	—	—	—	—	25	—
	①1500V	A	—	—	—	—	20	—
2 poles in series	300V	A	16	—	—	—	—	—
3 poles in series	48V	A	40	—	—	—	—	—
	110V	A	35	—	—	—	—	—
	220V	A	32	—	—	—	—	—
4 poles in series	500V	A	12	—	—	—	—	—
	400V	A	35	—	—	—	—	—
	440V	A	32	—	—	—	—	—
	500V	A	32	—	—	—	—	—
	600V	A	20	—	—	—	—	—
	700V	A	15	—	—	—	—	—
	750V	A	15	—	—	—	—	—
	800V	A	15	—	—	—	—	—
Power dissipation	W/pole	1.0	0.8		1.2		1.9	
Mechanical life	cycles	100,000	10,000					
Terminals	type	Mantle						
		Screw with washer						
	A mm	5.6						
	B mm	6.5						
	Screw	M4						
	Tool	Phillips 2						
		Phillips 1						
Tightening torque	Nm	1.8...2		1.2...1.6				
	lb.in	16...18		10...14				
Conductor section min.-max.	mm ²	0.75...16		1...10				
	AWG	18...6		18...8				
AMBIENT CONDITIONS								
Temperature	Operating	°C	-25...+55					
	Storage	°C	-40...+70					
Maximum altitude	m	3,000	2,000					
Mounting position	Normal	Vertical						
	Admissible	Any						
Fixing	Screw or 35mm DIN rail (IEC/EN 60715)							



① 1000V pollution degree 3; for higher voltages pollution degree 2.
 ② For GD series refer to wiring diagrams on page 14-81. DCPV1 utilisation category.

14 Switch disconnectors

Technical characteristics
GLD series for photovoltaic applications



INDEX

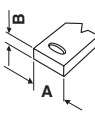
TYPE		GLD0100T2...	GLD0160T2...	GLD0200T2...	GLD0250T2...	GLD0315T2...	GLD0100T4...	GLD0160T4...	GLD0200T4...	GLD0250T4...	GLD0315T4...	
CONTACT CHARACTERISTICS												
IEC conventional free air thermal current I _{th} (≤40°C)	A	100	160	200	250	315	100	160	200	250	315	
IEC rated insulation voltage U _i	V	1000					1500					
IEC rated impulse withstand U _{imp}	kV	12					12					
IEC rated operational current I _e												
DC PV1	800V	A	100	160	200	250	315	100	160	200	250	315
	1000V	A	100	160	200	250	250	100	160	200	250	315
	1500V	A	–	–	–	–	–	100	160	200	250	315
Power dissipation	W/pole	1.1	3.2	4	6.5	11	1.1	3.2	4	6.5	11	
Mechanical life	cycles	20,000					20,000					
Terminals	mm	M8 x 20					M8 x 20					
Tightening torque	Nm	15...22					15...22					
	lb.in	132...194					132...194					
Conductor section min...max	mm ²	70...185					70...185					
	AWG/Kcmil	00...400					00...400					
AMBIENT CONDITIONS												
Temperature	Operating	°C	-25...+55					-25...+55				
	Storage	°C	-40...+70					-40...+70				
Operating		m	3000					3000				
Mounting position	Normal		Vertical					Vertical				
	Admissible		Any					Any				
Fixing		Screw or 35mm DIN rail (IEC/EN/BS 60715)					Screw or 35mm DIN rail (IEC/EN/BS 60715)					

TECHNICAL DATA ACCORDING TO UL/CSA RATINGS

TYPE		GLD0100T2...UL	GLD0200T2...UL	GLD0100T4...UL	GLD0200T4...UL	
Compliance		UL98B		UL98B		
Max operating voltage U _i	V	1000		1500		
General purpose current ratings	1000V	A	100	200	100	200
	1500V	A	–	–	100	200
Terminal kit lugs		GLDX501		GLDX501		
Minimum enclosure dimensions at rated current	mm (in)	950 x 350 x 200 (37.4 x 13.8 x 7.9)		950 x 350 x 200 (37.4 x 13.8 x 7.9)		

14 Switch disconnectors

Technical characteristics
GE series for photovoltaic applications

TYPE	4-pole	GE0630DT4	GE0800DT4	GE1250DT4
CONTACT CHARACTERISTICS				
IEC conventional free air thermal current I _{th} (≤40°C)	A	630	800	1250
IEC rated insulation voltage U _i	V	1000		
IEC rated impulse withstand U _{imp}	kV	12		
IEC rated operational current I _e DC21B	48V A	630	800	1250
4 poles in series	110V A	630	800	1250
	220V A	630	800	1250
	400V A	630	800	1250
	440V A	630	750	1250
	500V A	630	700	1250
	600V A	630	700	1250
	750V A	630	650	1050
	800V A	600	630	1000
	850V A	600	630	940
	900V A	600	630	870
1000V A	500	630	850	
Power dissipation	W/pole	15.5	24.7	36.1
Mechanical life	cycles	10,000		
Terminals 	type	Lug terminal or bars		
	A mm	30	30	40
	B mm	5	5	8
	screw	M10	M10	M14
Tightening torque	Nm	24	24	45
	lb.in	212	212	398
Max. bar size (thickness-width)	mm	2 x 5-40 (thickness-width)	2 x 5-40	2 x 10-50
Max. conductor section	mm ²	2 x 240	2 x 240	2 x 300
AMBIENT CONDITIONS				
Temperature	Operating	°C -25...+55		
	Storage	°C -40...+70		
Maximum altitude	m	3000		
Mounting position	Normal	Vertical		
	Admissible	Any		
Fixing		Screw		